



WARNING!

Carefully read, follow and understand the instructions given in this manual. It is an essential part of the product, and you should keep it in a safe place for future reference.

MECHANIC QUALIFICATION - Please be advised that many bicycle service and repair tasks require specialized knowledge, tools and experience. General mechanical aptitude may not be sufficient to properly service or repair your bicycle. If you have any doubt whatsoever regarding your service/repair ability, please take your bicycle to a qualified repair shop.

INTENDED USE – Campagnolo® product has been designed and made to be fitted and used exclusively on “racing” or “cyclocross” bikes (in the case in which the abbreviation CX is shown), with any other use explicitly excluded. Any different use of this product (like, for instance, but without any limitation, cross-country, all mountain/enduro, off-road acrobatic, downhill, four-cross, freeride, free-style, or any other type of extreme off-road cycling as defined by UCI) might cause accidents, physical injuries or even death and must therefore be considered totally inappropriate, unsuitable and not recommended.

"AN ACCIDENT" - Please note that throughout this manual, reference is made that "an accident" could occur. Any accident could result in damage to your bicycle, its components and, more importantly, could cause you or a bystander to sustain severe personal injury or even death.

LIFESPAN - WEAR - INSPECTION REQUIREMENT - The lifespan of Campagnolo® components depends on many factors, such as rider size and riding conditions. Impacts, falls, improper use or harsh use in general may compromise the structural integrity of the components and significantly reduce their lifespan. Some components are also subject to wear over time. Please have your bicycle and its components regularly inspected by a qualified mechanic for any cracks, deformation, signs of fatigue or wear (use of penetrating fluid or other visual enhancers to locate cracks on parts is recommended). Disassembly your bicycle components and especially the pedals, is required during these inspections. If the inspection reveals any deformation, cracks, impact marks or stress marks, no matter how slight, **immediately** replace the component; components that have experienced excessive wear also need **immediate** replacement. The frequency of inspection depends on many factors; check with your authorized representative of Campagnolo S.r.l. to select a schedule that is best for you.

- If you weigh over 109 kg/240 lbs we advise you not to use this product. Non compliance with this warning can damage the product irreversibly.
- If you weigh 82 kg/180 lbs or more, you must be especially vigilant and have your bicycle inspected more frequently (than someone weighing less than 82 kg/180 lbs). Check with your mechanic to discuss whether the wheels you selected are suitable for your use, and to determine the frequency of inspections.

Important PERFORMANCE, SAFETY and WARRANTY Notice - The parts and components of Campagnolo® 9s, 10s and 11s drivetrains, braking systems, rims, pedals and all other Campagnolo® products, are designed as a single integrated system. To avoid compromises in terms of safety, performance, durability, function, and to prevent voiding the WARRANTY, use only the parts and components supplied or specified by Campagnolo S.r.l., without interfacing them with or substituting them with products, parts or components manufactured by other companies.

Note: Tools supplied by other manufacturers for components similar to Campagnolo® components may not be compatible with Campagnolo® components. Likewise, tools supplied by Campagnolo S.r.l. may not be compatible with components supplied by other manufacturers. Always check with your mechanic or the tool manufacturer to insure compatibility before using tools supplied by one manufacturer on components supplied by another.

The user of this Campagnolo® product expressly recognizes that there are risks inherent in bicycle riding, including but not limited to the risk that a component of the bicycle can fail, resulting in an accident, personal injury or death. By his purchase and use of this Campagnolo® product, the user expressly, voluntarily and knowingly accepts and/or assumes these risks and agrees to hold Campagnolo S.r.l. harmless against any resulting damages.

If you ever have any questions, please contact your mechanic or your nearest Campagnolo® dealer for additional information.

BEFORE EVERY RIDE

DO NOT RIDE YOUR BICYCLE IF IT DOES NOT PASS THIS PRE-RIDE TEST CORRECT ANY CONDITION BEFORE YOUR RIDE.

- Be sure that all of the components of your bicycle, including but not limited to your brakes, pedals, handgrips, handlebars, frame and seating system, are in optimum condition and suitable for use.
- Be sure that none of the components of bicycle are bent, damaged or out of alignment.
- Check to be sure that all quick release fasteners, nuts and bolts are properly adjusted. Bounce the bicycle on the ground and listen and look for anything which may be loose.
- Be sure that your wheels are perfectly centred. Spin the wheels to be sure that they do not wobble up and down or from side to side, and that they do not make contact with the fork legs or brake pads while rotating.
- Check all reflectors to make sure that they are clean, straight and securely mounted.
- Check you brake pads and cables to be sure they are in good condition.
- Test your brakes in the beginning of your ride to make sure that they are operating properly.
- Learn and follow the local bicycle laws and regulations, and obey all traffic signals, signs and laws while you ride.

If you ever any comments, questions or concerns, please contact your nearest Campagnolo Service Center. A list of service centers may be found on our website at www.campagnolo.com.

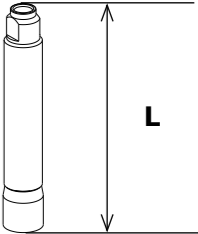
1. TECHNICAL SPECIFICATIONS

WARNING!

THIS WHEEL IS PARTICULARLY DEMANDING FROM AN ATHLETIC POINT OF VIEW. THEREFORE WE RECOMMEND YOU USE IT ONLY AFTER YOU HAVE BECOME EXPERIENCED IN RIDING WITH HIGH PROFILE WHEELS AND A SIDE WIND.

1.1 - WHEEL TECHNICAL SPECIFICATIONS

Rim diameter: 634 mm	O.L.D: front: 100 mm - rear: 130 mm
Hub type: aluminium	Inflation pressure: BORA ONE: see the inflation pressure recommended by the producer of the tire. BORA ONE CX: comply with the maximum pressures stamped on the cyclocross tyre
Use:	BORA ONE: road racing on smooth road or track surfaces only .
	BORA ONE CX: for cyclocross

	Female extension (option)	L	
Check what extension you need according to the length of the inner tube valve (if it is necessary to use a female extension) and the height of the rim profile.	UT-WH130F	37 mm	
	UT-WH140F	67 mm	
	UT-WH150F	92 mm	
	UT-WH160F	80 mm	

1.2 - SPOKES TECHNICAL SPECIFICATIONS



WARNING!

Only use genuine Campagnolo® spokes for your specific type and model of wheel. Failure to use correct spokes can result in an accident, personal injury or death.

ATTENTION! NOTE FOR SPECIALIZED MECHANICS

CONTACT YOUR CAMPAGNOLO® SERVICE CENTER FOR THE INSTRUCTIONS FOR ASSEMBLING, MAINTAINING AND REPLACING RIMS, SPOKES AND HUBS.

Front wheel:	Rear wheel - freewheel side:	Rear wheel - side opposite the freewheel:
KIT-01BO1	KIT-02BO1	KIT-02BO1

2. TIRES

- The wheel you have purchased is designed to use tubular tires.
- Check to insure that the diameter and cross-section of the tubular tire you plan to use are compatible with the dimension of the rim.
- The installation of the tubular tire on the rim is an operation which requires special attention; refer to the instructions enclosed with the tubular tire.

Use acetone to degrease the bonding surface of the rim before applying the glue for tubular installation. We recommend applying at least 3 coats of glue to the rim and 1 coat to the tire and to leave the tubular tire to "set" for at least 24 hours before using the wheel.



WARNING!

Failure to properly install the tire can cause sudden and unexpected loss of tire pressure, resulting in an accident, personal injury or death.

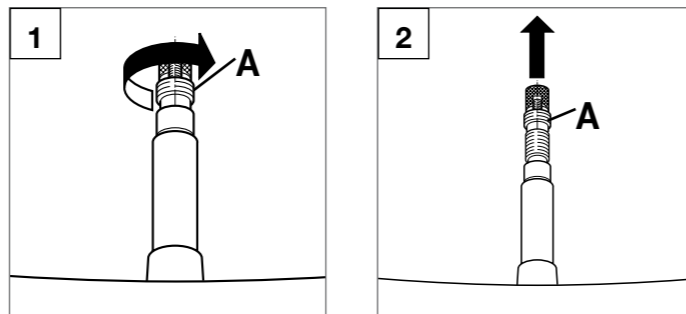


WARNING!

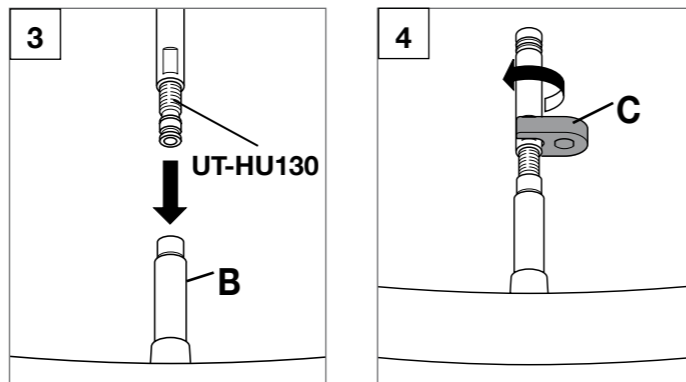
Do not sand-paper the rim before installing the tubular tire. Do not perform any operations which may cause abrasions, scratches or cuts to the rim or which may damage it in any other way. This damage could cause the rim to unexpectedly fail, resulting in an accident, personal injury or death.

2.1 - USE OF THE ADAPTER FOR INFLATING UT-HU130

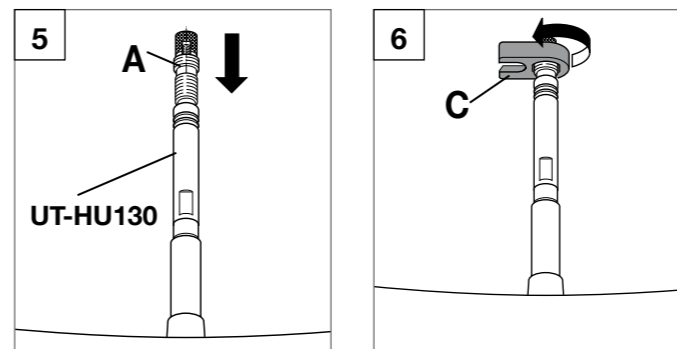
- Unscrew the valve A of the tubular (Fig. 1), by using if necessary the provided wrench (C - Fig. 2), and remove the valve (Fig. 3).



- Insert the adapter **UT-HU130** into the small tubes B (Fig. 3) and screw it thoroughly by using **exclusively** the provided wrench C (Fig. 4).



- Insert the valve A into the adapter UT-HU130 (Fig. 5) and screw it strongly by using **exclusively** the provided wrench C (Fig. 6).



- Proceed with inflation of the tubular (follow the instructions on paragraph 2.2).

- To deflate the tubular, unscrew the valve and press it against the mechanism inside the adapter.

2.2 - INFLATING AND DEFLATING THE TIRE

• **To inflate the tire:** remove the cap, unscrew the valve and inflate using a pump with a pressure gauge to obtain the required pressure, then tighten the valve and re-fit the cap.

• **To deflate the tire:** remove the cap, slightly unscrew the valve, then press it until the required pressure is obtained; tighten the valve and re-fit the cap.



CAUTION!

Never exceed the maximum inflation pressure recommended by the tire manufacturer.

Excessive tire pressure reduces the grip of the tire on the road and increases the risk that the tire will unexpectedly burst.

Inflation pressure that is too low reduces tire performance and increases the probability of sudden and unexpected loss of tire pressure. In addition, premature wear and damage to the rim may occur.

Note

- The tire pressure should also be adjusted depending on the weight of the rider; a heavy rider should have a greater tire pressure than a light rider.



WARNING!

Incorrect tire pressure could cause tire failure or loss of control of the bicycle, resulting in an accident, personal injury or death.

2.3 - CYCLOCROSS TYRES

- The BORA CX wheels are also designed to fit CX tyres up to 35 mm.



WARNING!

- Do not use 29" MTB tyres.

3. SPROCKET ASSEMBLY AND REMOVAL



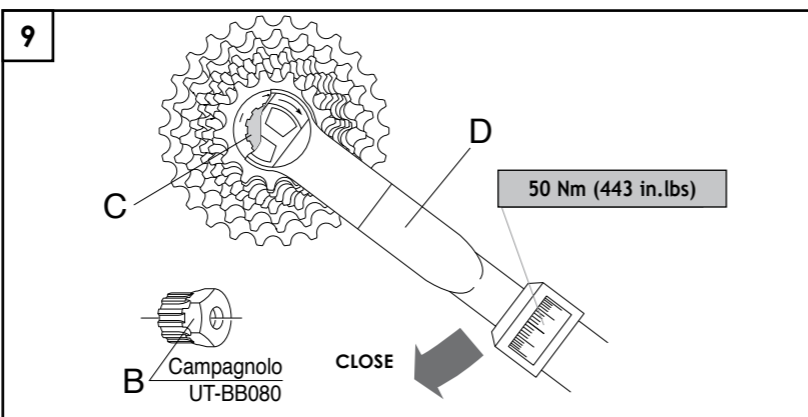
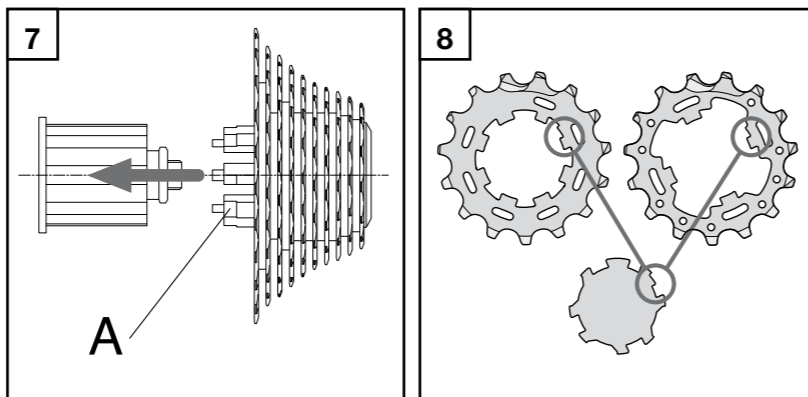
WARNING!

Always wear protective gloves and glasses while working on the sprockets.

3.1 - 9S / 10S CAMPAGNOLO® SPROCKETS (on Campagnolo® type FW body)

3.1.1 - ASSEMBLY

- The sprockets are pre-assembled and timed on the plastic support (A - Fig. 7).
- Insert the support on the side of the freewheel body, align the spline patterns, press the sprockets onto the freewheel and extract the support (A) from the hub (Fig. 7).
- If installing the sprockets without the plastic support, install the individual or preassembled sprockets and the spacers on the sprocket body of the hub aligning the spline patterns (Fig. 8). The profile of the freewheel body with two asymmetrical grooves ensures automatic sprocket timing since there is only one assembly option.
- Using a torque wrench (D - Fig. 9) equipped with the Campagnolo tool UT-BB080 (B - Fig. 9), tighten the locking (C - Fig. 9) on to the freewheel body to **50 Nm (443 in.lbs)**.



3.1.2 - DISASSEMBLY

- Remove the locking (A - Fig. 10) using the Campagnolo tool UT-BB080 (B - Fig. 10) with a 24 mm hexagonal wrench (C - Fig. 10) and the Campagnolo chain whip UT-CS060 (Fig. 10).
- Insert the plastic sprocket carrier on the side of the freewheel body, align the spline patterns on the body with those on the carrier and slide the sprockets onto it.
- Slide the sprocket carrier, with the sprockets, off the freewheel body.

3.2 - 11S SPROCKETS

- Refer to the instruction leaflet enclosed with the 11s sprockets for all the assembly, disassembly, use and maintenance operations.

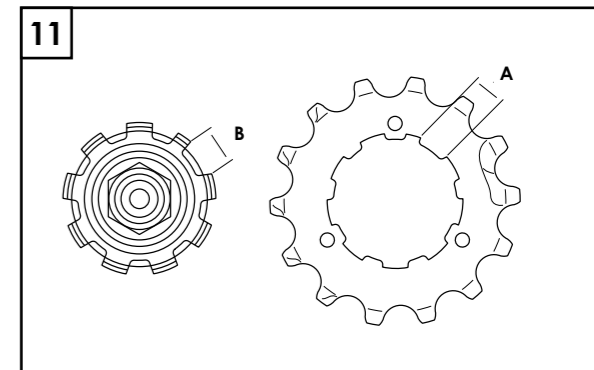
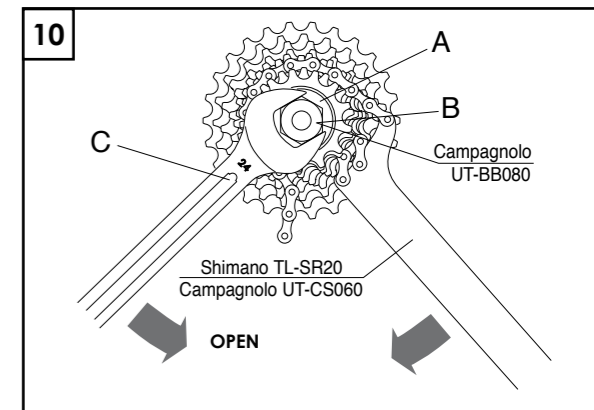
3.3 - 8S, 9S, 10S SPROCKETS FROM SHIMANO INC. and SPROCKETS FROM SRAM CORPORATION (on the Campagnolo® freewheel body for Shimano Inc. 8/9/10s sprockets and Sram OG 1070 - OG 1090 sprockets)

3.3.1 - ASSEMBLY

• SHIMANO INC. SPROCKETS

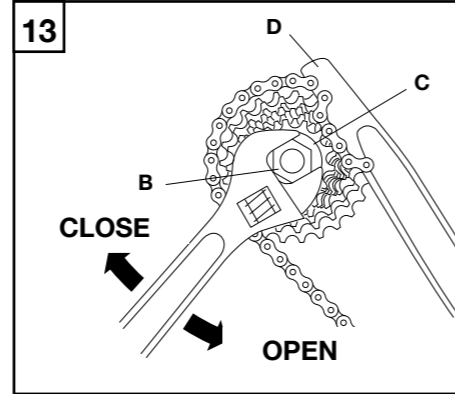
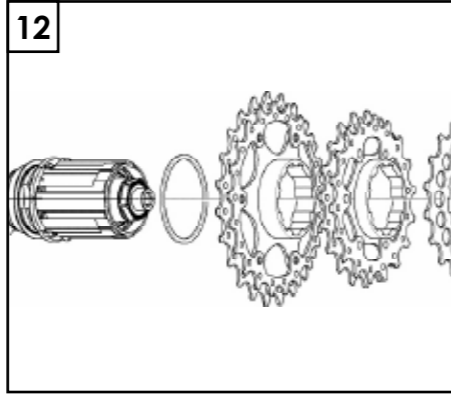
1) Fit the sprockets on the freewheel body and check that:

- the surface with the name of the group of each sprocket is turned to the outside of the freewheel body.
- the broadest groove of the sprocket (A - Fig. 11) and the broadest of the freewheel body (B - Fig. 11) are aligned.



2) If you fit a 10s sprocket set, you must first put the adaptor spacer provided with the sprockets onto the freewheel body (Fig. 12). This spacer is not necessary for 8s and 9s sprocket sets.

3) Using tool TL-LR15 from Shimano Inc. or FR-5 from Park Tool Co. (B - Fig. 13) tighten the locking (C - Fig. 13) on the freewheel body to **30-50 Nm (266-443 in.lbs)**.



• **SRAM CORPORATION SPROCKETS**

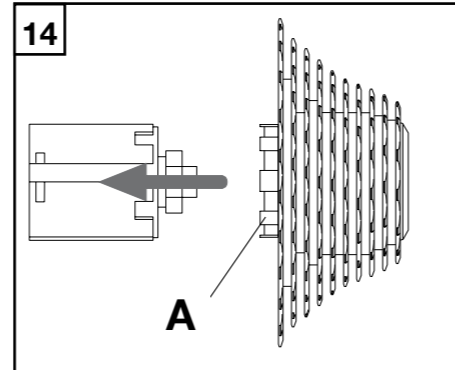
1) The sprockets are preassembled on a support (A - Fig. 14).

2) Insert the support on the side of the freewheel body, align the grooves, press the sprockets onto the freewheel body and extract the support (A) from the hub (Fig. 14).

3) Using tool TL-LR15 from Shimano Inc. or FR-5 from Park Tool Co. (B - Fig. 13) tighten the locking (C - Fig. 13) on the freewheel body to **30-50 Nm (266-443 in.lbs)**.

3.3.2 - DISASSEMBLY

- Remove the locking (C - Fig. 13) using tool TL-LR15 from Shimano Inc. or FR-5 from Park Tool Co. (B - Fig. 13) and a chain whip (e.g. Shimano Inc. TL-SR20 - D - Fig. 13).
- Remove the sprockets from the freewheel body.



4. BRAKES



WARNING!

Use only the special brake pads part number BR-BO500 (for Campagnolo® brakes) and part number BR-BO500X (for Dura-Ace brakes / Campagnolo CX brakes) with the composite BORA™ ONE tubular rims. Use of these pads with any other type of rim could result in insufficient and/or irregular braking performance, thereby causing an accident, personal injury or death. Use of any other brake pads-rim combination could also seriously damage the rim. Always check that the brake pad is compatible with the rim by checking the specifications on the brake pad package.

4.1 - CAMPAGNOLO® BRAKES

Note

Also consult the section “Brakes” of the “Owner’s Manual - Part 1.

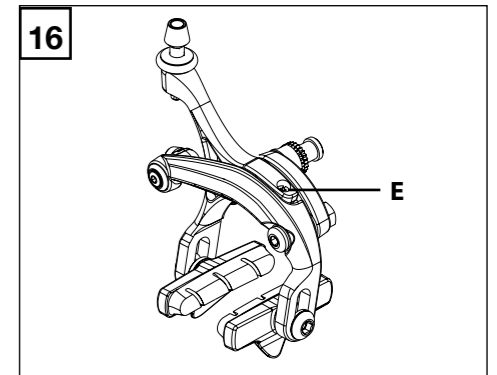
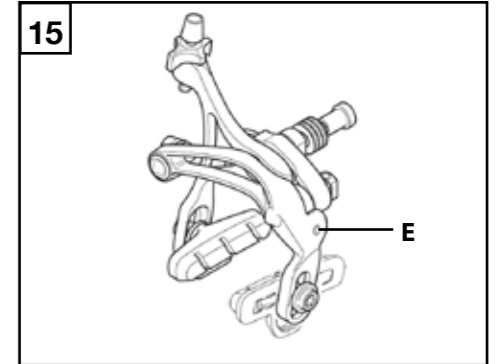


ATTENTION!

While operating the brake lever, check the two brake pads **GET** into contact with the rim surface **AT THE SAME TIME**.
If this is not the case, check the brakes are correctly centred.

4.1.1 - DUAL PIVOT BRAKE ADJUSTMENT

Check the brake is centred correctly by ensuring that, operating the brake levers with the bike not moving, the wheel has no side shifts.
If this is the case, act on adjustment screw **E** (fig. 15 / fig. 16) till the side shift is fully corrected.



4.1. 2 - BRAKE PADS ADJUSTMENT

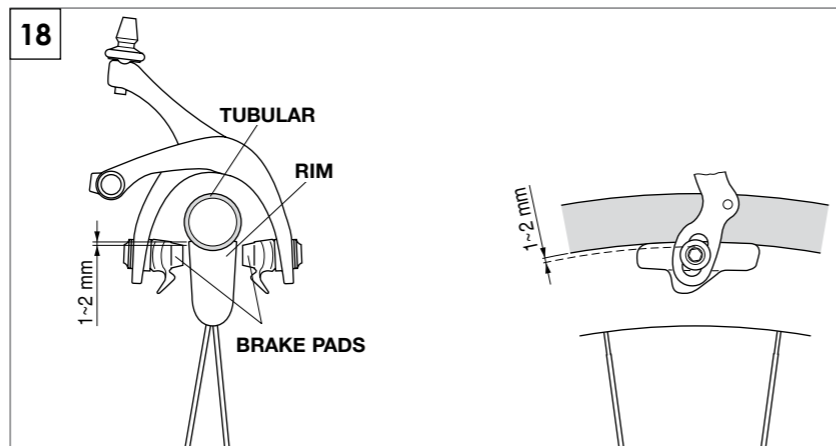
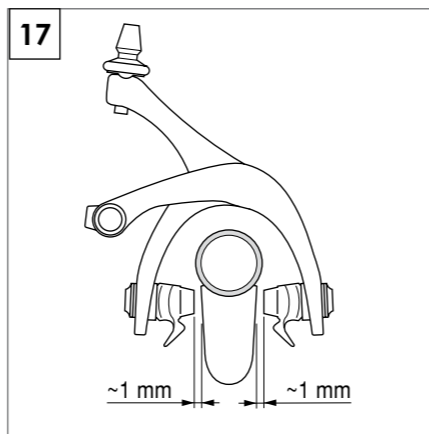
- Slide out the brake pads from the pad holders and replace them with those supplied in the wheel package.
- Adjust the brake pads so that they are perfectly aligned with the wheel braking surface, about 1 mm from the surface of the rim (Fig. 17) so that they are positioned at about 1~2 mm from the top edge of the rim (Fig. 18) (refer to the brake pad instruction sheet).

• Before every ride:

- make sure that the brakes function correctly.
- make sure that the cables and brake pads are in good condition.
- make sure that the brake pads are perfectly aligned with the wheel braking surface, about 1 mm from the surface of the rim (Fig. 17) so that they are positioned at about 1~2 mm from the top edge of the rim (Fig. 18) (refer to the brake pad instruction sheet).

- To maintain the brake pads are in efficient working order and to avoid wear on the sides of the rims, you should remove with a file any residue of sand, debris or foreign objects which may become embedded in the brake pads, especially during use in the rain.

- When riding in wet conditions, remember that the stopping power of your brakes is greatly reduced and the adherence of the tires to the ground is considerably reduced. This makes it harder to control and stop your bicycle. Extra care is required when riding your bicycle in wet conditions to avoid an accident. An accident could result in severe personal injury or death.



4.2 - BRAKES OF OTHER MANUFACTURER / CAMPAGNOLO CX BRAKES

Please consult the instruction sheet supplied by the manufacturer.

5. PERIODIC WHEEL MAINTENANCE AND SAFETY RECOMMENDATIONS

ATTENTION! NOTE FOR SPECIALIZED MECHANICS

CONTACT YOUR CAMPAGNOLO® SERVICE CENTER FOR THE INSTRUCTIONS FOR ASSEMBLING, MAINTAINING AND REPLACING RIMS, SPOKES AND HUBS.

• *Periods and riding distances are purely indicative and may be significantly different in relation to conditions of use and the intensity of your activity (for example: racing, rain, salted Winter roads, weight of the rider etc.). Check with your mechanic to select a schedule that is best for you.*

- Please be advised that if the maintenance and repair procedures provided in this manual are not properly performed, or if the other instructions in this manual are not followed, an accident could occur.
- Never make any modifications whatsoever to any component of any Campagnolo® product.
- Parts which have been bent or otherwise damaged in an accident or as a result of any other impact must not be re-straightened. They must be replaced immediately with original Campagnolo® parts.
- After using the wheel for the first time, check wheel trueness and circularity.

⚠ WARNING!

Using wheels that have not been centred properly or which have broken or damaged spokes may result in accidents, personal injury or death.

- Check the tyres and their pressure before every race.
- Periodically bring the bike to a specialized mechanic to lubricate the hub bearings, ball bearings, and FW gear with specific grease (**CAMPAGNOLO PROFESSIONAL LUBRICATING GREASE cod. LB-100**) for bearings.

The most suitable frequency of checks for you should be agreed with the mechanic himself on the basis of your weight and the intensity of your activity (approximately every 3,000/5,000 km – 1,860/3,000 miles).

- Every 10,000/20,000 km (6,000/12,000 miles) we recommend that you bring the bike to a specialized mechanic for lubrication, replacement, disassembly and inspection of the hubs.

- Wear clothes which are snug-fitting and which make you visible to traffic, such as neon fluorescent or other bright colors. Avoid biking at night because it is more difficult for you to be seen by traffic, and it is more difficult for you to see obstructions on the ground. If you do ride at night, you should equip your bicycle with and use a headlight and a tail light.
- Never use a bicycle or bicycle component unless you are thoroughly familiar with its use and maintenance history. “Used” equipment may have been misused and abused, and can unexpectedly fail resulting in an accident.
- Always wear a properly fitted and fastened bicycle helmet that has been approved by ANSI or SNELL.

CLEANING THE WHEELS

- Dirt seriously damage bicycles and their components. Thoroughly clean and dry your bike after using it in these conditions.
- Never spray your bicycle with water under pressure. Never use abrasive or metal pads. Wash your bicycle and Campagnolo® components by wiping them down with water and neutral soap.
- Relubricate the components carefully using a lubricant suitable to purpose. Using poor-quality or incorrect lubricant may damage the chain and cause excessive wear or damage to the system.
- Thoroughly clean any residual lubricant from the bicycle and floor. At the end of the lubrication operation, CAREFULLY degrease rims and brake pads.



WARNING!

Salt water environments (as found on winter roads and near the seaside) can cause galvanic corrosion on most bike parts. Carefully rinse, clean, dry and re-lubricate all exposed parts to avoid damage, malfunctions and accidents.

TRANSPORT AND STORAGE

When transporting the wheel separately from the bike or if the wheel will not be used for a long period of time, store it in the wheelbag to protect it against impacts and dirt.

Campagnolo S.r.l. reserves to modify the content of this manual without notice.

The updated version will always be available www.campagnolo.com.

On our website you will also find information on the other Campagnolo products and the spare parts catalogue.