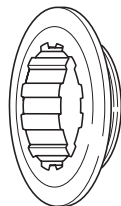


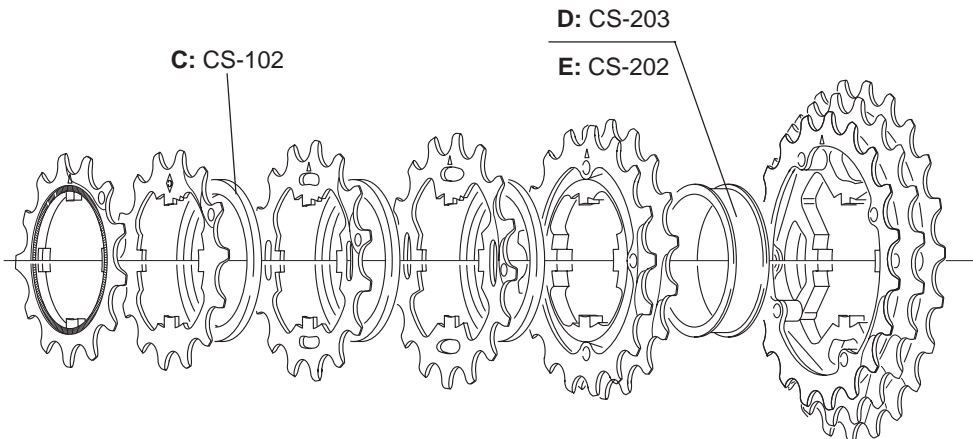
# GHIERE LOCKRINGS



# ECROUS VERSCHLUSSRING

CODE / CODICE	TYPE / TIPO		RANGE / GAMMA	HUB COMPATIBILITY / COMPATIBILITA' MOZZI
<b>CS-401</b>	<b>9 Speed</b> "oversize" thread / fil.: 27 x 1	steel/acciaio	<b>1999</b>	<b>RECORD - CHORUS</b> all wheels / tutte le ruote
<b>CS-501</b>	<b>9 Speed</b> "oversize" thread / fil.: 27 x 1	steel/acciaio (for Z.11)	<b>1999</b>	<b>RECORD - CHORUS</b> all wheels / tutte le ruote
<b>CS-101T</b>	<b>9 Speed</b> "oversize" thread / fil.: 27 x 1	titanium/titanio	<b>1999</b>	<b>RECORD - CHORUS</b> all wheels / tutte le ruote
<b>CS-201</b>	<b>9 Speed</b> thread / fil.: 26 x 1	steel/acciaio	<b>1999</b>	<b>ATHENA - VELOCE - MIRAGE</b>
			<b>1998 / 1997</b>	<b>9 Speed groups / gruppi 9 Speed</b> 9 Speed wheels / ruote 9 Speed
<b>CS-301</b>	<b>9 Speed</b> thread / fil.: 26 x 1	steel/acciaio (for Z.11)	<b>1999</b>	<b>ATHENA - VELOCE - MIRAGE</b>
			<b>1998 / 1997</b>	<b>9 Speed groups / gruppi 9 Speed</b> 9 Speed wheels / ruote 9 Speed
<b>CS-001T</b>	<b>9 Speed</b> thread / fil.: 26 x 1	titanium/titanio	<b>1999</b>	<b>ATHENA - VELOCE - MIRAGE</b>
			<b>1998 / 1997</b>	<b>9 Speed groups / gruppi 9 Speed</b> 9 Speed wheels / ruote 9 Speed '97 8 Speed aluminum freewheel body / corpetto RL in alluminio 8 Speed '97
<b>CS-001V</b>	<b>8 Speed</b> thread / fil.: 29 x 1	steel/acciaio	<b>1999 and previous 1999 e precedenti</b>	<b>all 8 Speed hubs</b> (with steel freewheel body) <b>tutti i mozzi 8 Speed</b> (con corpetto RL in acciaio)

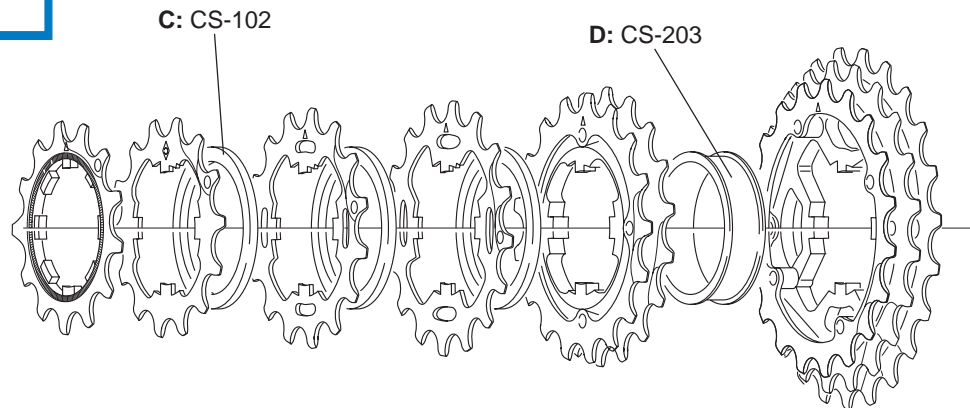
**RECORD MK2**  
**9 SPEED**  
**CS-29RE**



<b>11 - 21</b>	<b>11A-1°</b> 9S-011	<b>12A-2°</b> 9S-121	<b>C</b>	<b>13A</b> 9S-131	<b>C</b>	<b>14A</b> 9S-141	<b>C</b>	<b>15A</b> 9S-151	<b>C</b>	<b>16A-17A*</b> 9S-670	<b>E</b>	<b>19A-21A*</b> 9S-91AT
<b>11 - 23</b>	<b>11B-1°</b> 9S-012	<b>12B-2°</b> 9S-122	<b>C</b>	<b>13B</b> 9S-132	<b>C</b>	<b>14B</b> 9S-142	<b>C</b>	<b>15B</b> 9S-152	<b>C</b>	<b>17B-19A*</b> 9S-79B	<b>E</b>	<b>21A-23A*</b> 9S-130T
<b>12 - 21</b>	<b>12A-1°</b> 9S-113	<b>13A</b> 9S-131	<b>C</b>	<b>14A</b> 9S-141	<b>C</b>	<b>15A</b> 9S-151	<b>C</b>	<b>16A-17A-18C*</b> 9S-678	<b>D</b>	<b>19C-21C*</b> 9S-91CT		
<b>12 - 23</b>	<b>12A-1°</b> 9S-113	<b>13A</b> 9S-131	<b>C</b>	<b>14A</b> 9S-141	<b>C</b>	<b>15A</b> 9S-151	<b>C</b>	<b>16A-17A*</b> 9S-670	<b>D</b>	<b>19A-21A-23A*</b> 9S-913AT		
<b>13 - 23</b>	<b>13A-1°</b> 9S-114	<b>14A</b> 9S-141	<b>C</b>	<b>15A</b> 9S-151	<b>C</b>	<b>16A</b> 9S-161	<b>C</b>	<b>17A-18C*</b> 9S-780	<b>D</b>	<b>19C-21C-23C*</b> 9S-913CT		
<b>13 - 26</b>	<b>13A-1°</b> 9S-114	<b>14A</b> 9S-141	<b>C</b>	<b>15A</b> 9S-151	<b>C</b>	<b>16A</b> 9S-161	<b>C</b>	<b>17A-19A*</b> 9S-79A	<b>D</b>	<b>21A-23A-26A*</b> 9S-136T		

\* pre-assembled

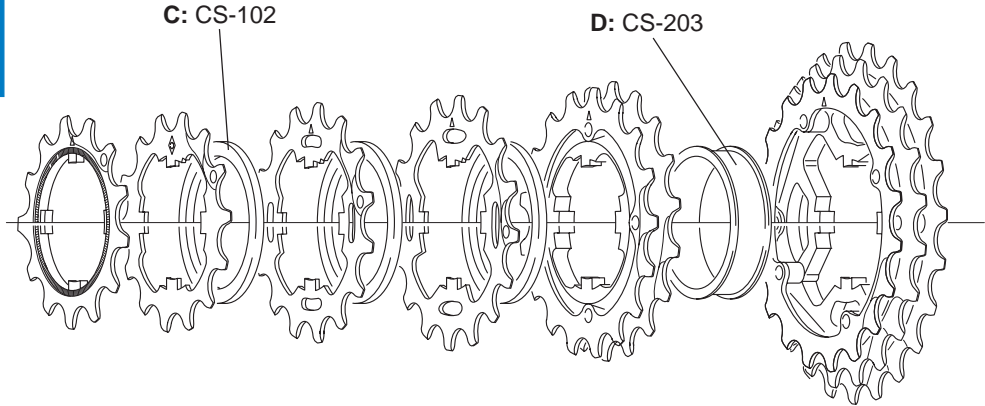
**RECORD  
TITANIUM  
MK2 9 SPEED  
CS-29RETI**



<b>12 - 21</b>	<b>12A-1°</b>	<b>13A</b>	<b>C</b>	<b>14A</b>	<b>C</b>	<b>15A</b>	<b>C</b>	<b>16A-17A-18C*</b>	<b>D</b>	<b>19C-21C*</b>
	9S-012T	9S-131T		9S-141T		9S-151T		9S-678T		9S-91CT
<b>12 - 23</b>	<b>12A-1°</b>	<b>13A</b>	<b>C</b>	<b>14A</b>	<b>C</b>	<b>15A</b>	<b>C</b>	<b>16A-17A*</b>	<b>D</b>	<b>19A-21A-23A*</b>
	9S-012T	9S-131T		9S-141T		9S-151T		9S-670T		9S-913AT
<b>13 - 23</b>	<b>13A-1°</b>	<b>14A</b>	<b>C</b>	<b>15A</b>	<b>C</b>	<b>16A</b>	<b>C</b>	<b>17A-18C*</b>	<b>D</b>	<b>19C-21C-23C*</b>
	9S-013T	9S-141T		9S-151T		9S-161T		9S-780T		9S-913CT
<b>13 - 26</b>	<b>13A-1°</b>	<b>14A</b>	<b>C</b>	<b>15A</b>	<b>C</b>	<b>16A</b>	<b>C</b>	<b>17A-19A*</b>	<b>D</b>	<b>21A-23A-26A*</b>
	9S-013T	9S-141T		9S-151T		9S-161T		9S-79AT		9S-136T

\* pre-assembled

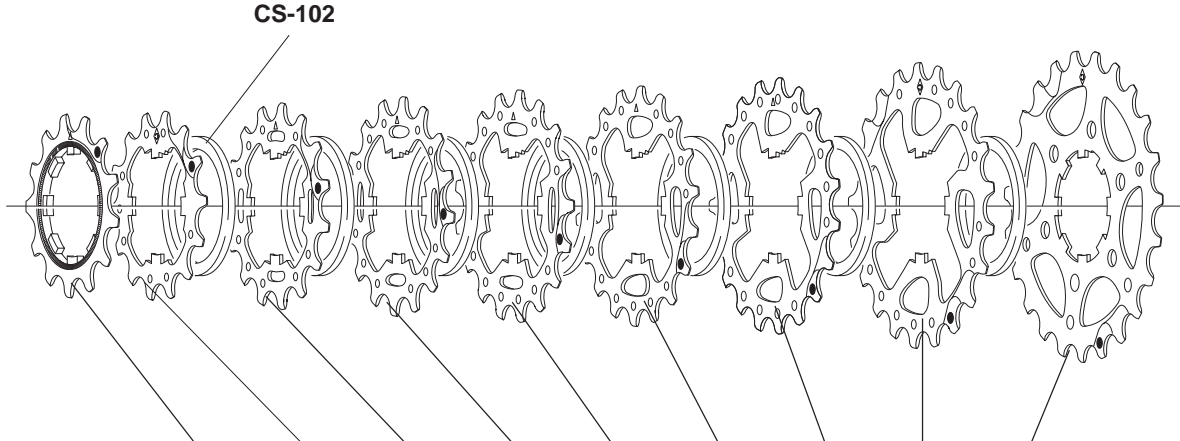
**CHORUS MK2**  
**9 SPEED**  
**CS-09CH**  
**ATHENA MK2**  
**9 SPEED**  
**CS-09AT**



<b>12 - 21</b>	<b>12A-1°</b>	<b>13A</b>	<b>C</b>	<b>14A</b>	<b>C</b>	<b>15A</b>	<b>C</b>	<b>16A-17A-18C*</b>	<b>D</b>	<b>19C-21C*</b>
	9S-113	9S-131		9S-141		9S-151		9S-678		9S-91C
<b>12 - 23</b>	<b>12A-1°</b>	<b>13A</b>	<b>C</b>	<b>14A</b>	<b>C</b>	<b>15A</b>	<b>C</b>	<b>16A-17A*</b>	<b>D</b>	<b>19A-21A-23A*</b>
	9S-113	9S-131		9S-141		9S-151		9S-670		9S-913A
<b>13 - 23</b>	<b>13A-1°</b>	<b>14A</b>	<b>C</b>	<b>15A</b>	<b>C</b>	<b>16A</b>	<b>C</b>	<b>17A-18C*</b>	<b>D</b>	<b>19C-21C-23C*</b>
	9S-114	9S-141		9S-151		9S-161		9S-780		9S-913C
<b>13 - 26</b>	<b>13A-1°</b>	<b>14A</b>	<b>C</b>	<b>15A</b>	<b>C</b>	<b>16A</b>	<b>C</b>	<b>17A-19A*</b>	<b>D</b>	<b>21A-23A-26A*</b>
	9S-114	9S-141		9S-151		9S-161		9S-79A		9S-136

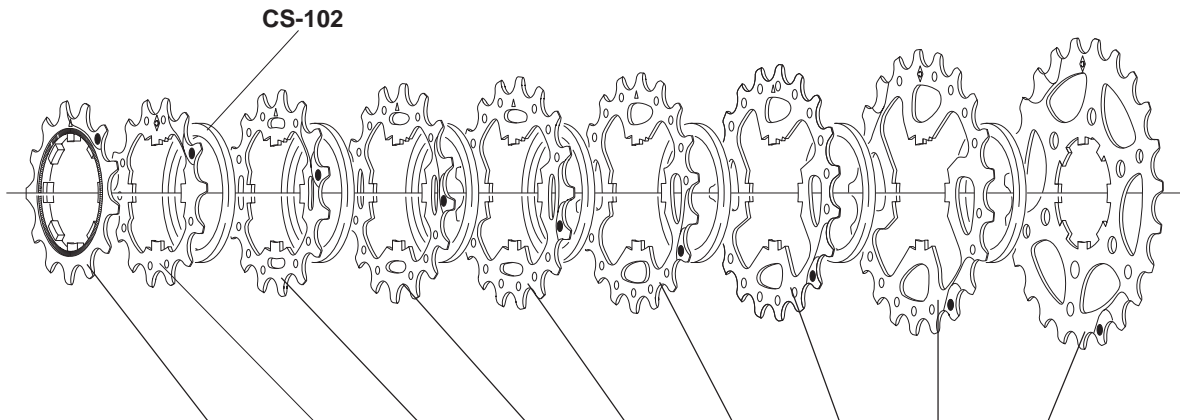
\* pre-assembled

**VELOCE  
9 SPEED  
CS-09VL**



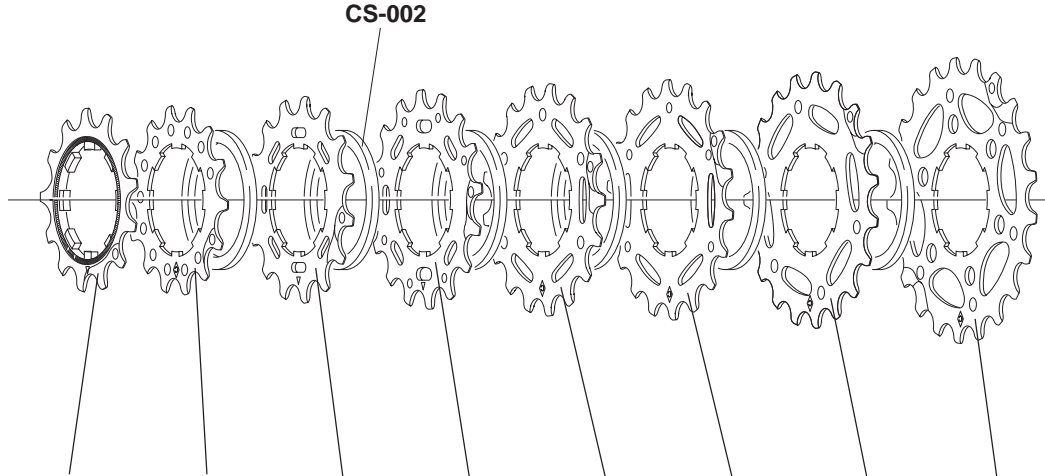
<b>11 - 23</b>	<b>11B-1P</b> 9S-012	<b>12B</b> 9S-022	<b>13B</b> 9S-132	<b>14B</b> 9S-142	<b>15B</b> 9S-152	<b>17B</b> 9S-172	<b>19A</b> 9S-191	<b>21A</b> 9S-211	<b>23A</b> 9S-231
<b>12 - 23</b>	<b>12A-1P</b> 9S-013	<b>13A</b> 9S-131	<b>14A</b> 9S-141	<b>15A</b> 9S-151	<b>16A</b> 9S-161	<b>17A</b> 9S-171	<b>19A</b> 9S-191	<b>21A</b> 9S-211	<b>23A</b> 9S-231
<b>13 - 23</b>	<b>13A-1P</b> 9S-014	<b>14A</b> 9S-141	<b>15A</b> 9S-151	<b>16A</b> 9S-161	<b>17A</b> 9S-171	<b>18C</b> 9S-183	<b>19C</b> 9S-193	<b>21C</b> 9S-213	<b>23C</b> 9S-233
<b>13 - 26</b>	<b>13A-1P</b> 9S-014	<b>14A</b> 9S-141	<b>15A</b> 9S-151	<b>16A</b> 9S-161	<b>17A</b> 9S-171	<b>19A</b> 9S-191	<b>21A</b> 9S-211	<b>23A</b> 9S-231	<b>26A</b> 9S-261

**MIRAGE  
9 SPEED  
CS-09MI**



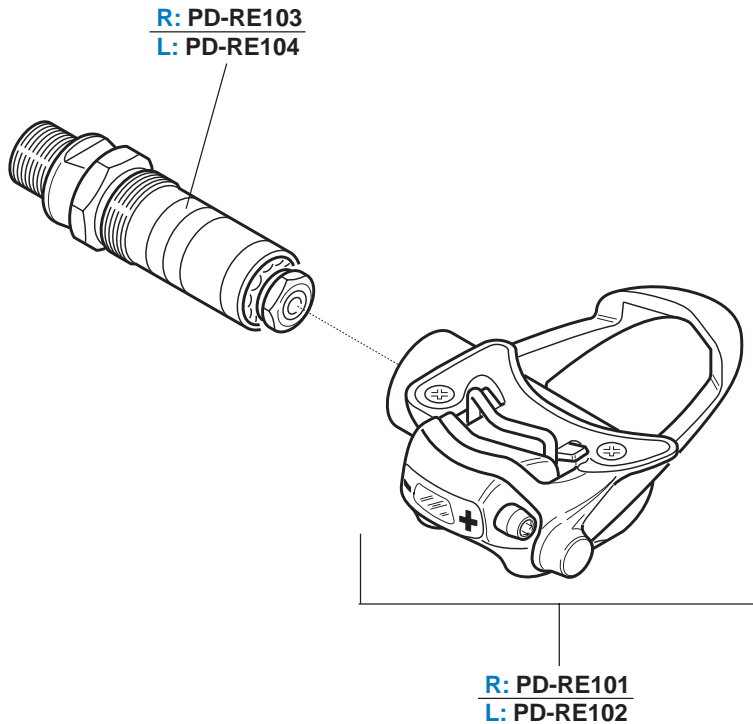
<b>12 - 23</b>	<b>12A-1P</b>	<b>13A</b>	<b>14A</b>	<b>15A</b>	<b>16A</b>	<b>17A</b>	<b>19A</b>	<b>21A</b>	<b>23A</b>
	9S-013Z	9S-131Z	9S-141Z	9S-151Z	9S-161Z	9S-171Z	9S-191Z	9S-211Z	9S-231Z
<b>13 - 23</b>	<b>13A-1P</b>	<b>14A</b>	<b>15A</b>	<b>16A</b>	<b>17A</b>	<b>18C</b>	<b>19C</b>	<b>21C</b>	<b>23C</b>
	9S-014Z	9S-141Z	9S-151Z	9S-161Z	9S-171Z	9S-183Z	9S-193Z	9S-213Z	9S-233Z
<b>13 - 26</b>	<b>13A-1P</b>	<b>14A</b>	<b>15A</b>	<b>16A</b>	<b>17A</b>	<b>19A</b>	<b>21A</b>	<b>23A</b>	<b>26A</b>
	9S-014Z	9S-141Z	9S-151Z	9S-161Z	9S-171Z	9S-191Z	9S-211Z	9S-231Z	9S-261Z

**8 SPEED  
CS-08SP**



<b>12 - 23</b>	<b>12B-1P</b> CS-004V	<b>13B</b> CS-132V	<b>14B</b> CS-142V	<b>15B</b> CS-152V	<b>17B</b> CS-172V	<b>19A</b> CS-191V	<b>21A</b> CS-211V	<b>23A</b> CS-231V
<b>13 - 23</b>	<b>13A-1P</b> CS-005V	<b>14A</b> CS-141V	<b>15A</b> CS-151V	<b>16A</b> CS-161V	<b>17A</b> CS-171V	<b>19A</b> CS-191V	<b>21A</b> CS-211V	<b>23A</b> CS-231V
<b>13 - 26</b>	<b>13B-1P</b> CS-006V	<b>14B</b> CS-142V	<b>15B</b> CS-152V	<b>17B</b> CS-172V	<b>19A</b> CS-191V	<b>21A</b> CS-211V	<b>23A</b> CS-231V	<b>26A</b> CS-261V

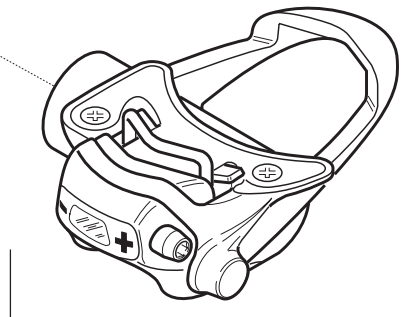
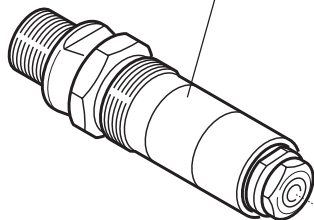
**RECORD PRO-FIT  
PEDALS  
PD-52REQR**





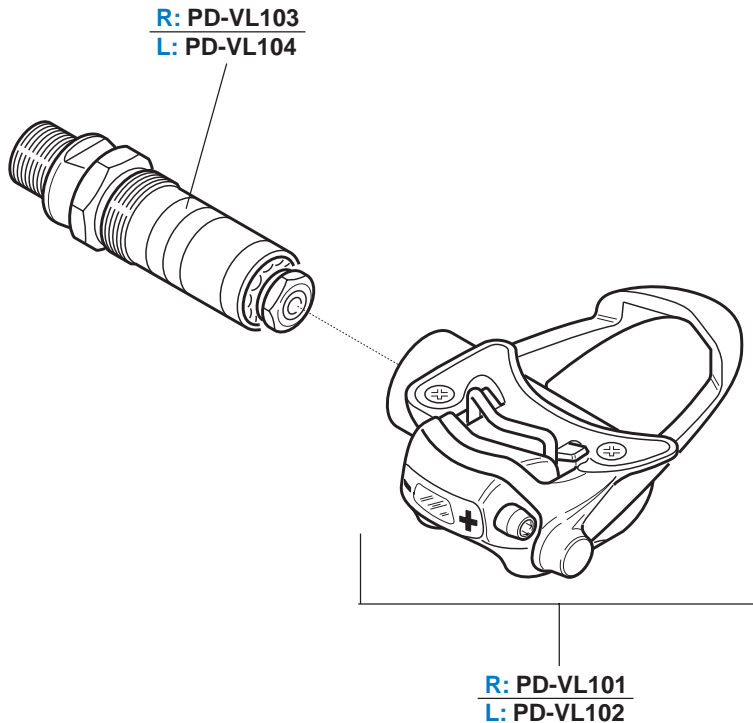
**CHORUS PRO-FIT  
PEDALS  
PD-42CHQR**

**R: PD-CH103**  
**L: PD-CH104**



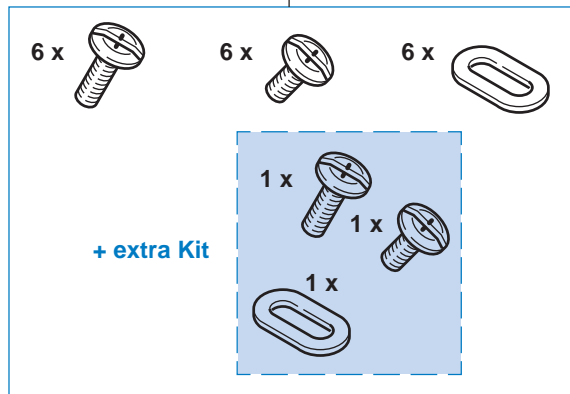
**R: PD-CH101**  
**L: PD-CH102**

**VELOCE PRO-FIT  
PEDALS  
PD-32VLQR**

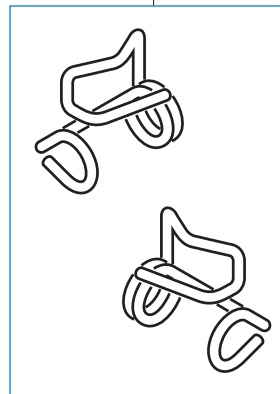


## PRO-FIT PEDALS SPARE PARTS

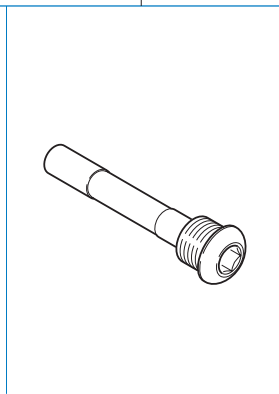
PD-RE106



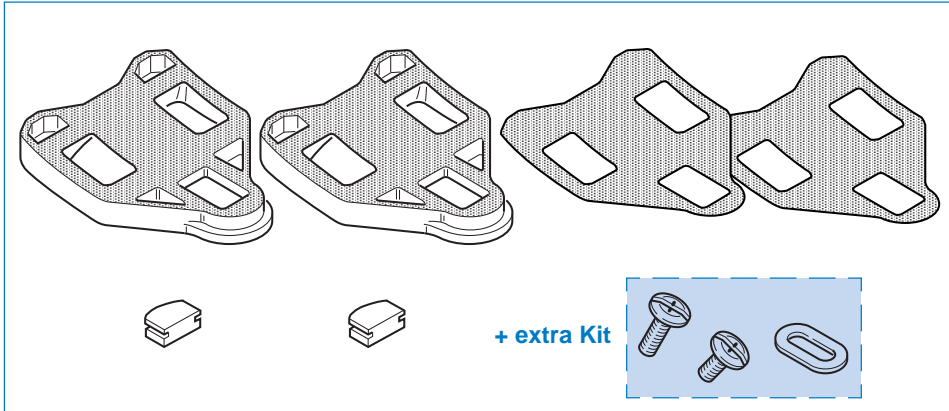
R + L: PD-RE105



PD-RE107

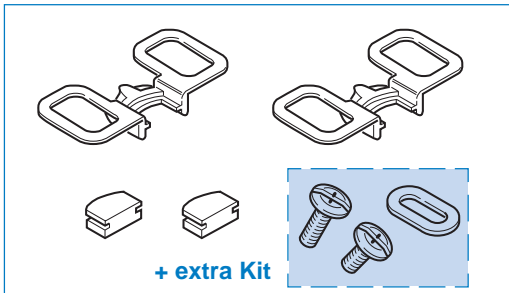


**PRO-FIT PEDALS**  
**SPARE PARTS**  
(blister-packed)










**FLOATING CLEATS**  
**PD-RE020**

**FIXED CLEATS**  
**PD-RE021**

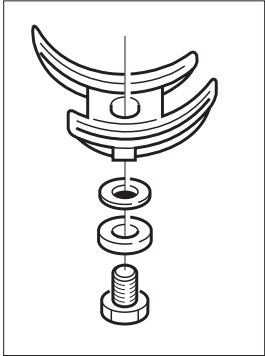


**PD-RE100**

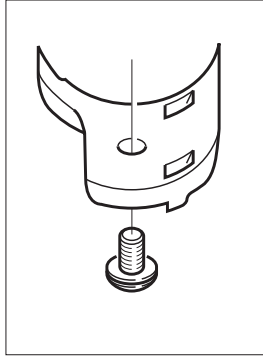
COMPLETE SETS			
ERGOPOWER	<i>RECORD 9 SPEED</i>		CG-ER201
	<i>CHORUS 9 SPEED</i>		
	<i>ATHENA 9 SPEED</i>		
	<i>VELOCE 9 SPEED</i>		CG-ER102
<i>MIRAGE 9 SPEED</i>			
<i>AVANTI</i>			
TRADITIONAL	<i>RECORD 9 SP.</i>	brakes	CG-BR201
		derailleurs	CG-DD101

SPARE PARTS		FRONT		REAR		
BRAKES		Ø 1,6 mm L. 800 mm CG-CB003		Ø 1,6 mm L. 1600 mm CG-CB013		
		Ø 5 mm L. 580 mm CG-CS014		Ø 5 mm L. 1250 mm CG-CS002		
		Ø 6 mm CG-CS111 (not sealed/senza guarnizione)				
DERAILLEURS	 Ø 1,2 mm	ERGOPOWER	L. 1600	CG-CB014		
		ERGOPOWER	L. 2000	CG-CB009		
		SHIFTING LEVERS	L. 830	CG-CB011		
		SHIFTING LEVERS	L. 1600	CG-CB014		
	 Ø 4,5 mm	ERGOPOWER	L. 680	CG-CS015		
		ERGOPOWER	L. 330	CG-CS008		
		Ø 5,7 mm CG-CS012 (sealed/con guarnizione) <u>for RE/CH/AT</u>				
		Ø 5,7 mm CG-CS016 <u>for VL/MI/AV</u>				
	Ø 5,7/4 mm CG-CS013 (sealed/con guarnizione) <u>for RE/CH/AT</u>					
	Ø 5,7/4 mm CG-CS017 <u>for VL/MI/AV</u>					

## CABLE GUIDE PLATES

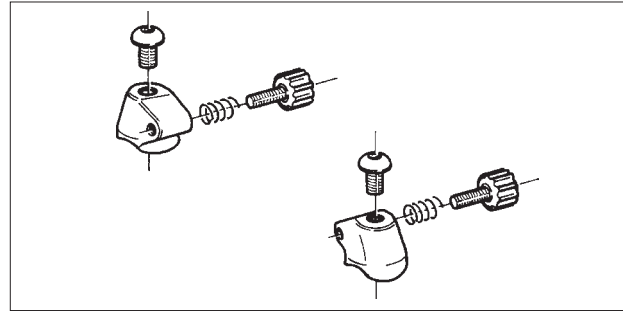


**AI-00CD** (stainless steel)



**AI-12CD** (resin)

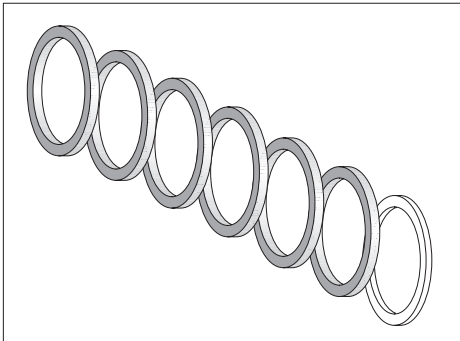
## ERGOPOWER BLOCKS



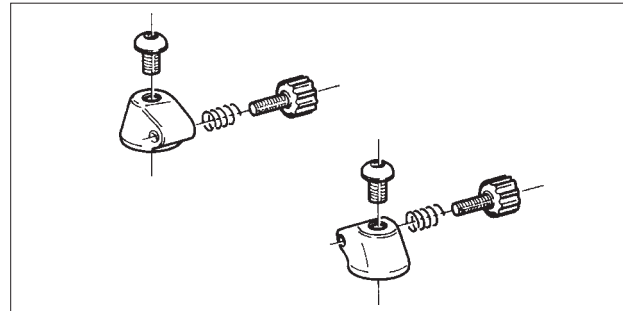
FOR STEEL FRAME

Aluminium: **EC-RE001** Resin: **EC-AT001**

## 8 SPEED ADAPTER KIT FOR 9 SPEED HUBS AND WHEELS



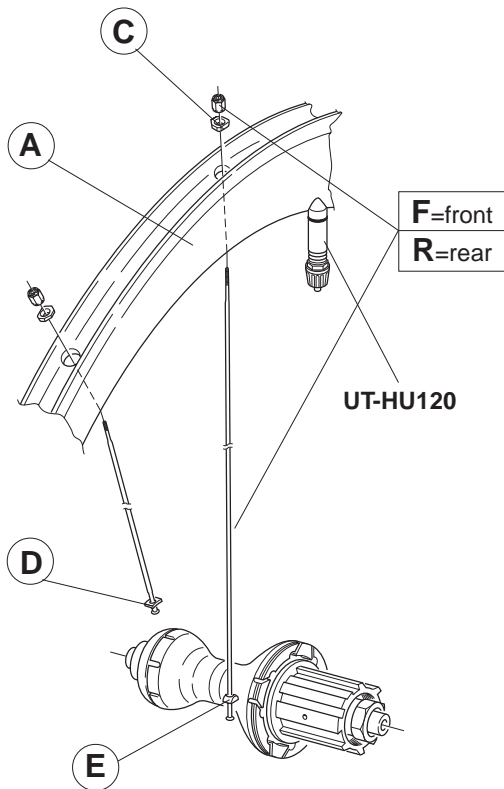
**KIT-03**



FOR CARBON FRAME

Aluminium: **EC-RE002** Resin: **EC-AT002**

# BORA 9 SPEED

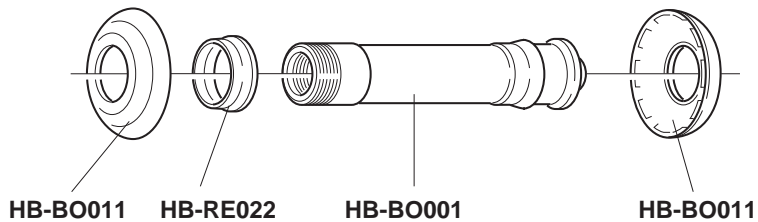
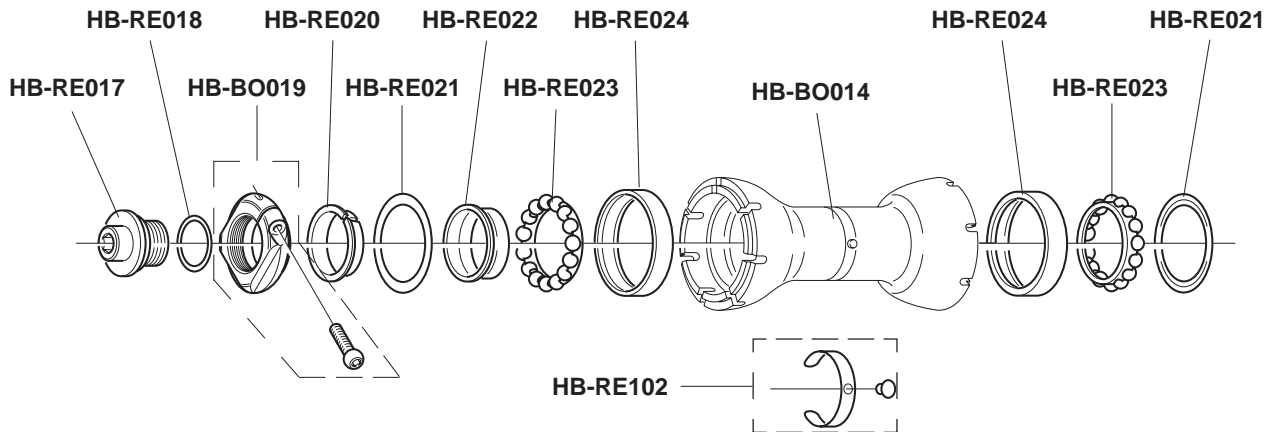


	COMPLETE WHEELS	A	compl. KIT (F + C + D)	compl. KIT (R + C + D + E)	MINI-KIT
FRONT	R-BO102 tubular 28"	WH-201BO	KIT-11BO (16F+16C+16D)		<b>KIT-100BO</b>  (2 F + 2 R right + 2 R left + 6 C + 4 D + 2 E)
REAR	R-BO202 tubular 28"	WH-301BO		<b>KIT-12BO</b> (9 R right + 9 R left + 18 C + 9 D + 9 E)	

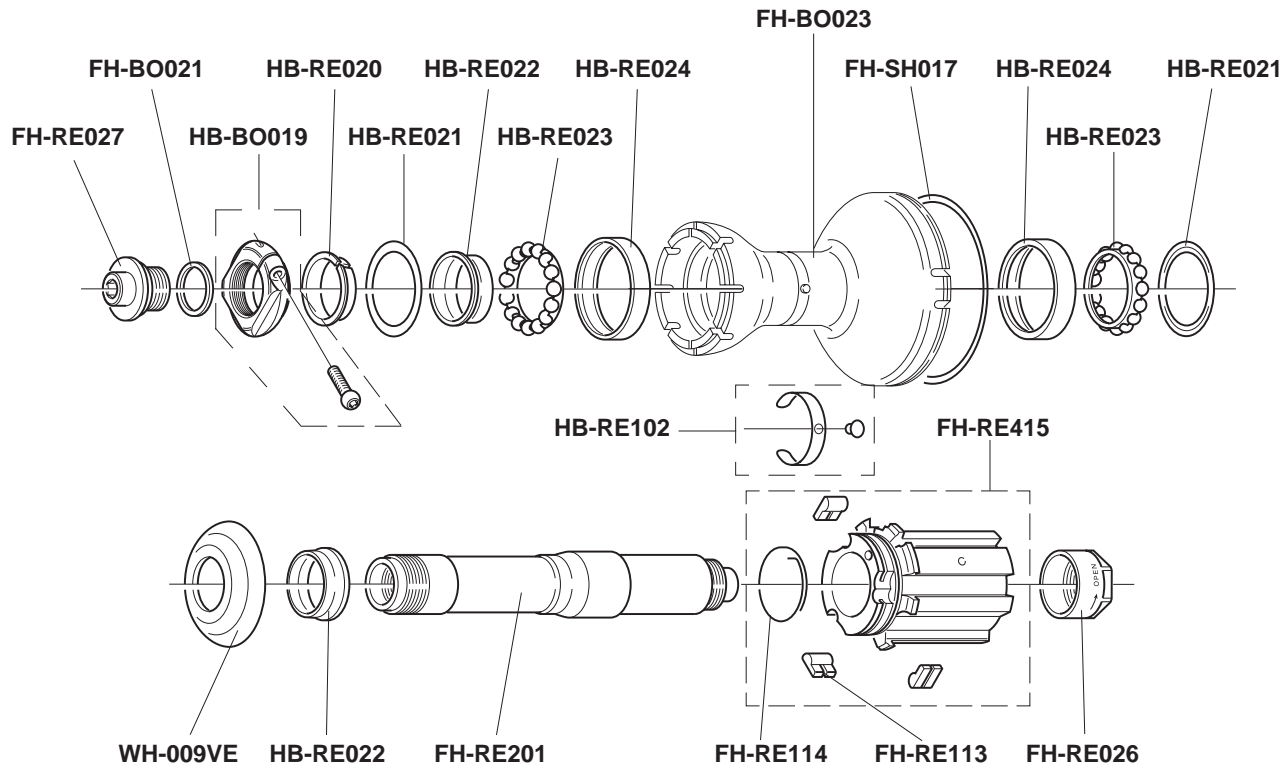
	COMPLETE WHEELS	F	R right	R left
FRONT	R-BO102 tubular 28"	L. 278 mm		
REAR	R-BO202 tubular 28"		L. 277 mm	L. 278 mm



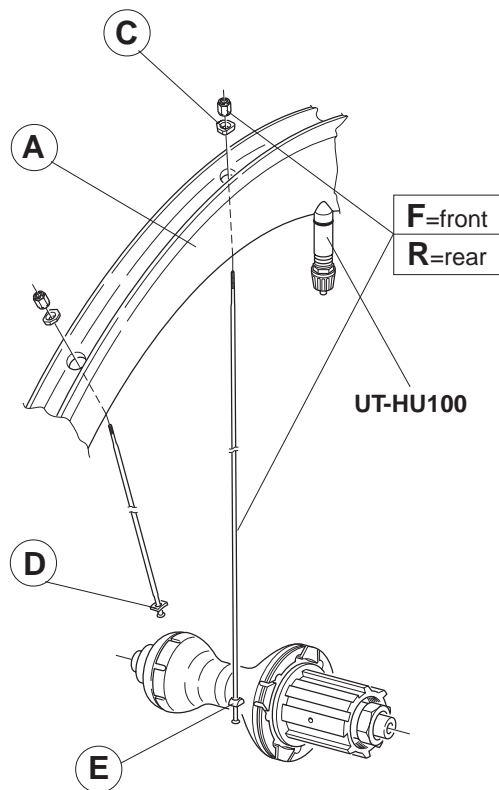
**BORA**



# BORA 9 SPEED



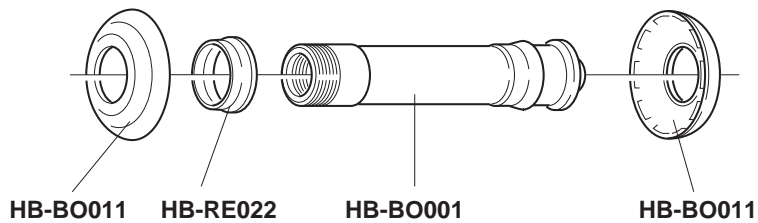
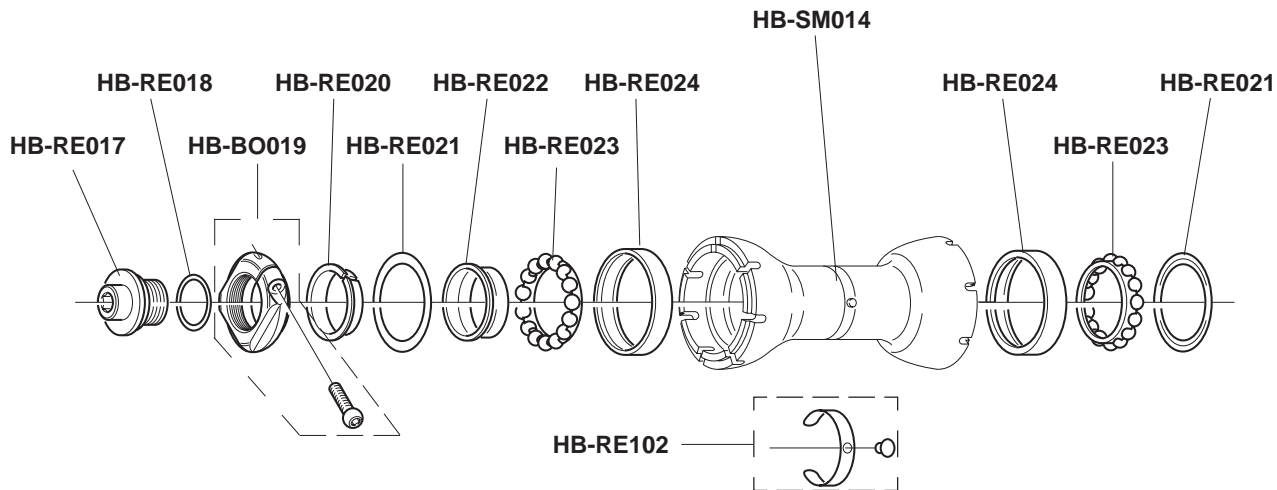
# SHAMAL 9 SPEED



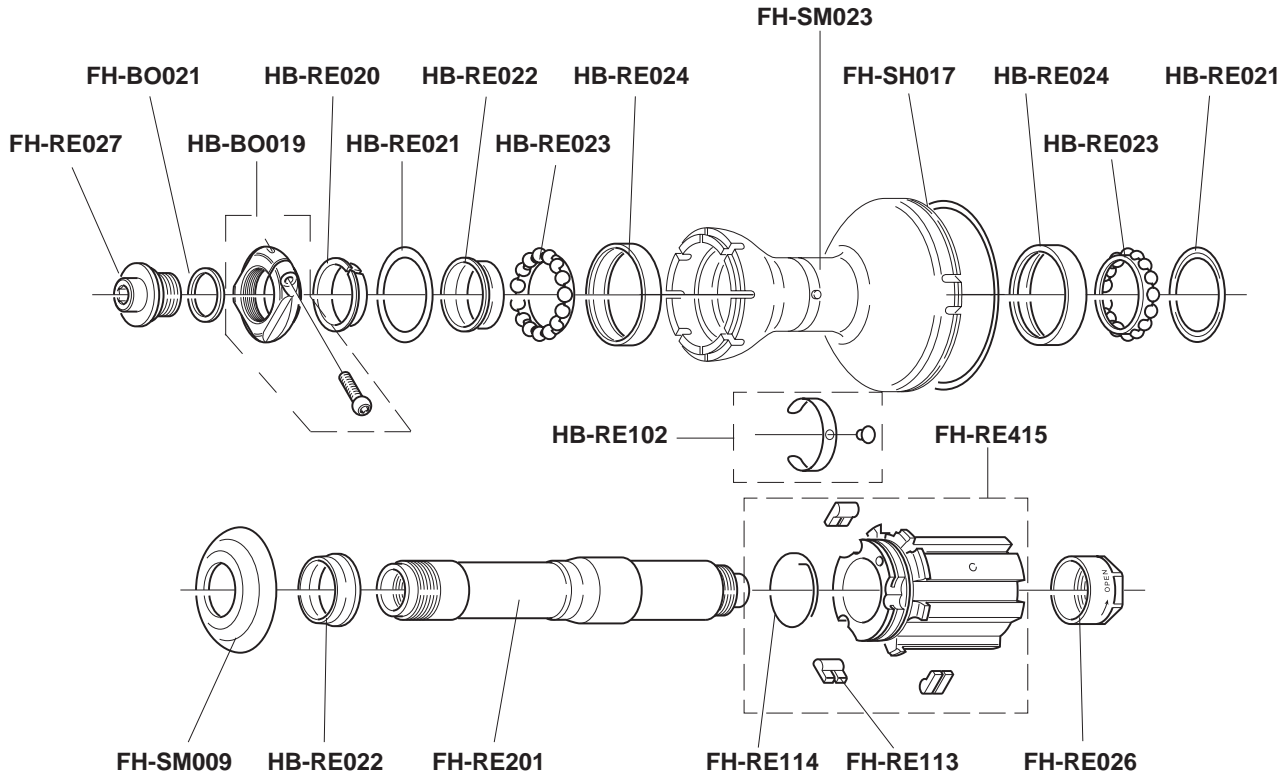
	COMPLETE WHEELS	A	compl. KIT (F + C + D)	compl. KIT (R + C + D + E)	MINI-KIT
FRONT	R-SH111 tubular 28"	WH-201SM	KIT-11SM (16 F+16 C+16D)		KIT-100SM  (2 F + 2 R right + 2 R left + 6 C + 4 D + 2 E)
	R-SH306 clinchier 28"	WH-401SM			
REAR	R-SH213 tubular 28"	WH-301SM	KIT-12SM (9 R right + 9 R left + 18 C + 9 D + 9 E)		
	R-SH407 clinchier 28"	WH-501SM			

	COMPLETE WHEELS	F	R right	R left
FRONT	R-SH111 tubular 28"	L. 283 mm		
	R-SH306 clinchier 28"	L. 283 mm		
REAR	R-SH213 tubular 28"		L. 283 mm	L. 283 mm
	R-SH407 clinchier 28"		L. 283 mm	L. 283 mm

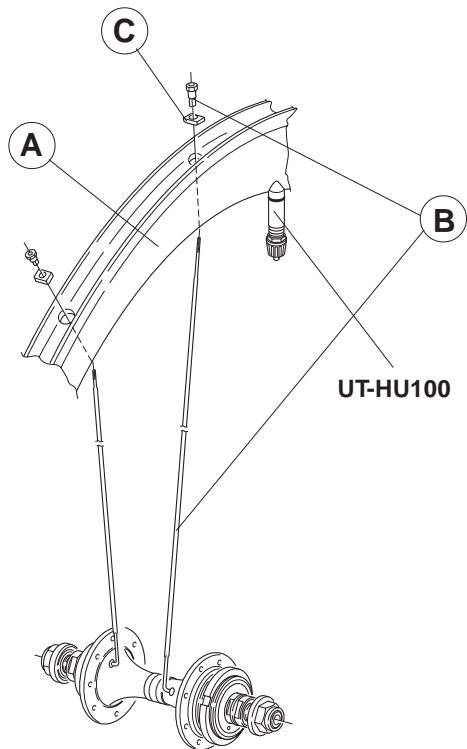
# SHAMAL



# SHAMAL 9 SPEED



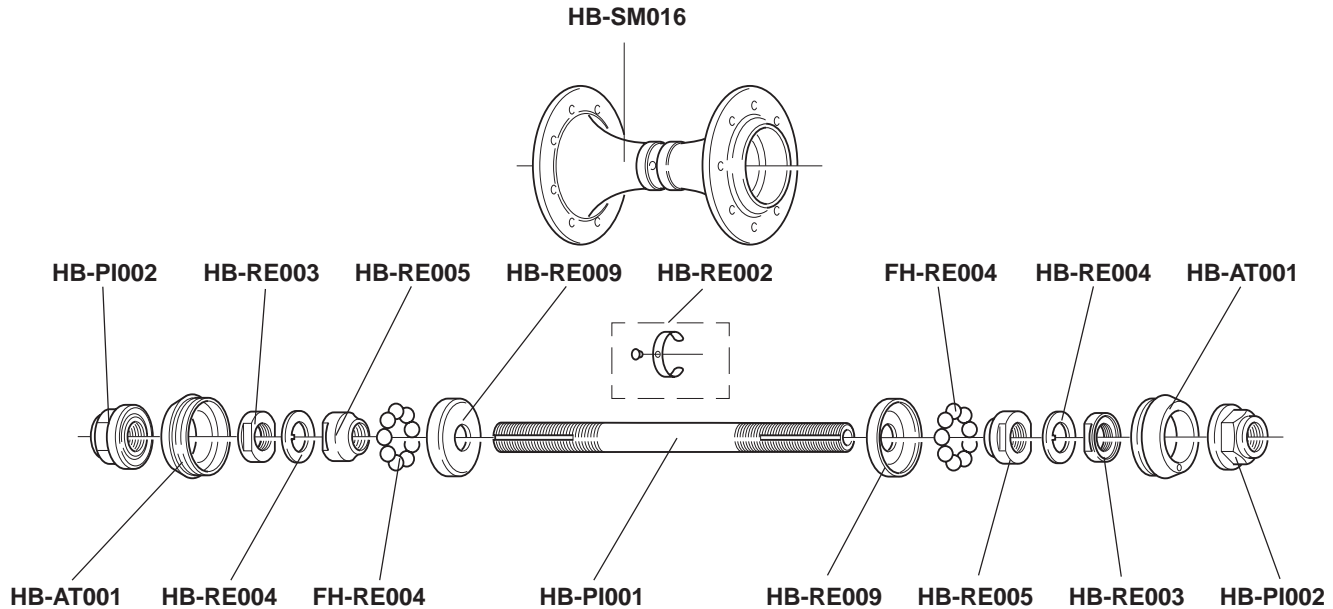
## SHAMAL PISTA



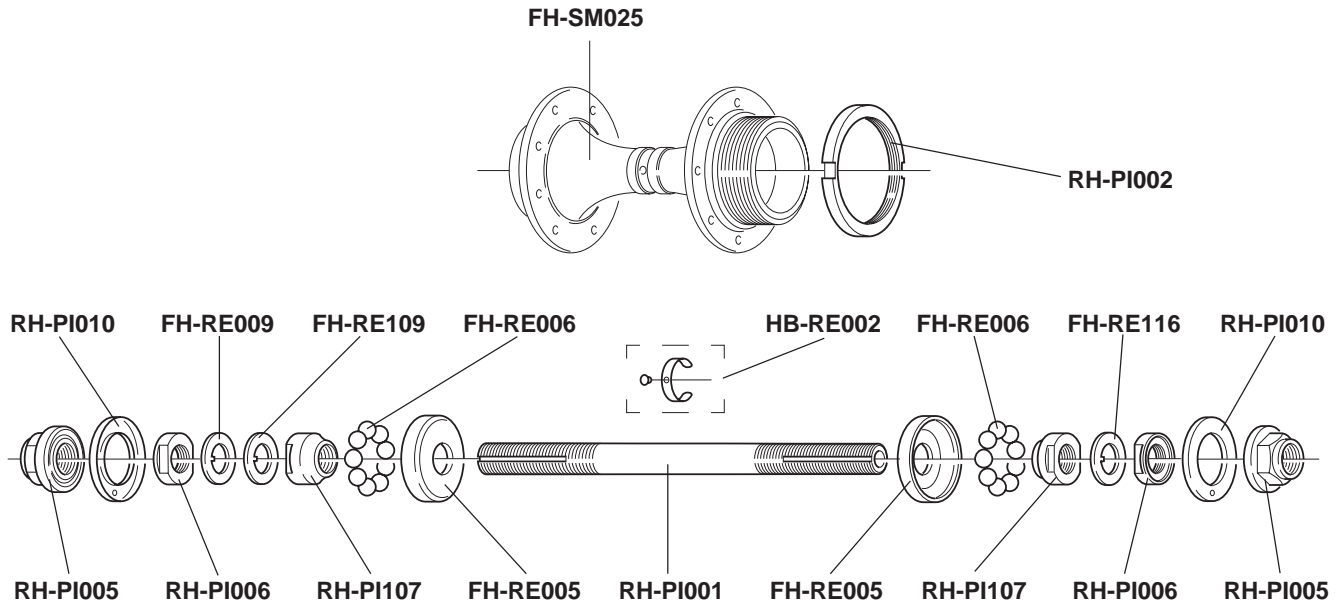
	COMPLETE WHEEL	A	KIT (B + C)
FRONT	<b>R-SH107</b> tubular 28"	WH-026SH	KIT-01SH
REAR	<b>R-SH204</b> tubular 28"	WH-026SH	KIT-02SH

	COMPLETE WHEEL	B	B right	B left
FRONT	<b>R-SH107</b> tubular 28"	L. 276 mm		
REAR	<b>R-SH204</b> tubular 28"		L. 277 mm	L. 274 mm

# SHAMAL PISTA

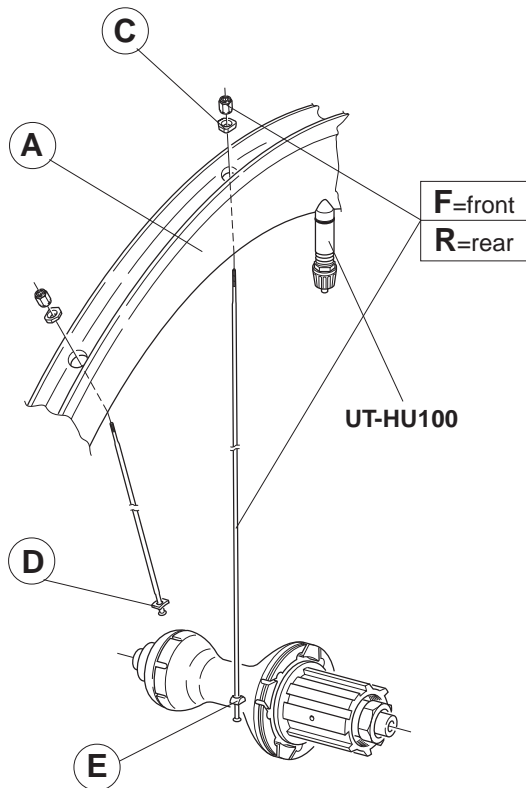


# SHAMAL PISTA





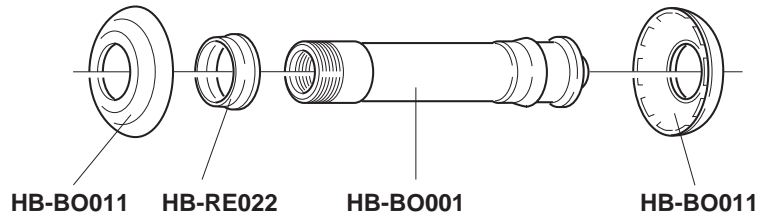
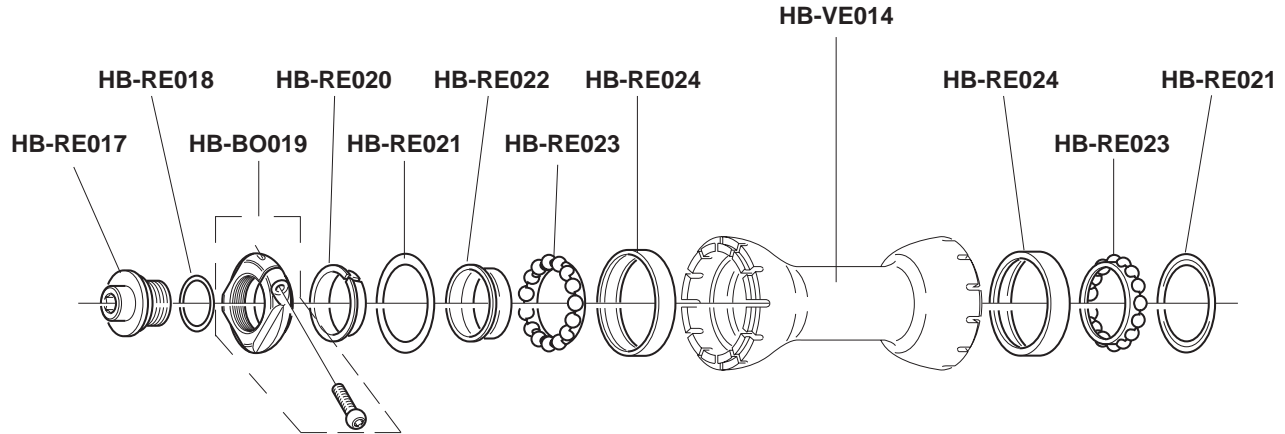
# VENTO 9 SPEED



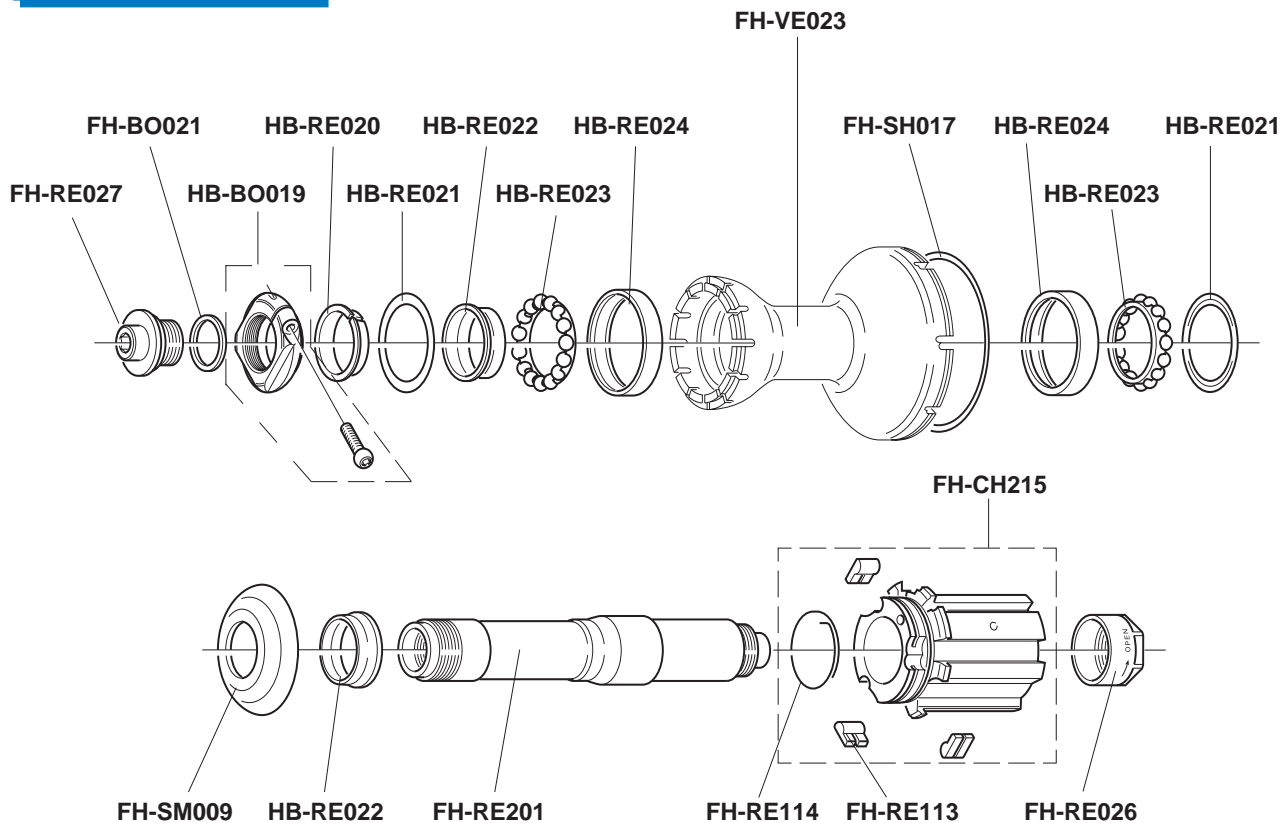
	COMPLETE WHEELS	A	compl. KIT (F + C + D)	compl. KIT (R + C + D + E)	MINI-KIT
FRONT	<b>R-VE312</b> clincher 28"	<b>WH-102VE</b>	<b>KIT-01VE</b> (16 F + 16 C + 16 D)		<b>KIT-100VE</b>  (2 F + 2 R right + 2 R left + 6 C + 4 D + 2 E)
REAR	<b>R-VE412</b> clincher 28"	<b>WH-104VE</b>		<b>KIT-02VE</b> (9 R right + 9 R left + 18 C + 9 D + 9 E)	

	COMPLETE WHEELS	F	R right	R left
FRONT	<b>R-VE312</b> clincher 28"	L. 283 mm		
REAR	<b>R-VE412</b> clincher 28"		L. 283 mm	L. 283 mm

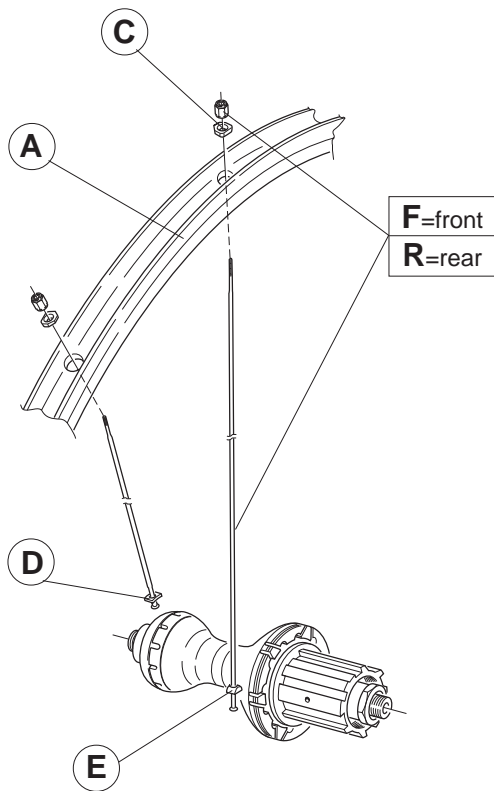
**VENTO**



# VENTO 9 SPEED



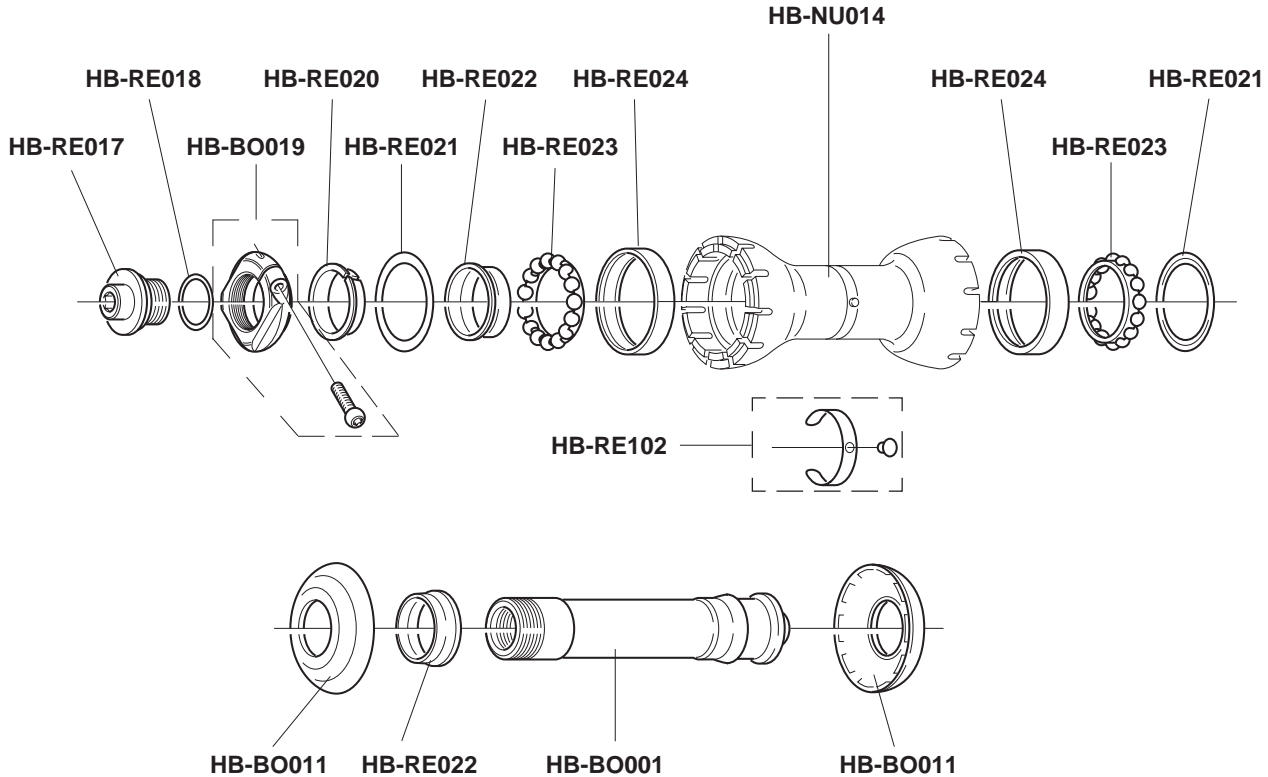
# NUCLEON 9 SPEED



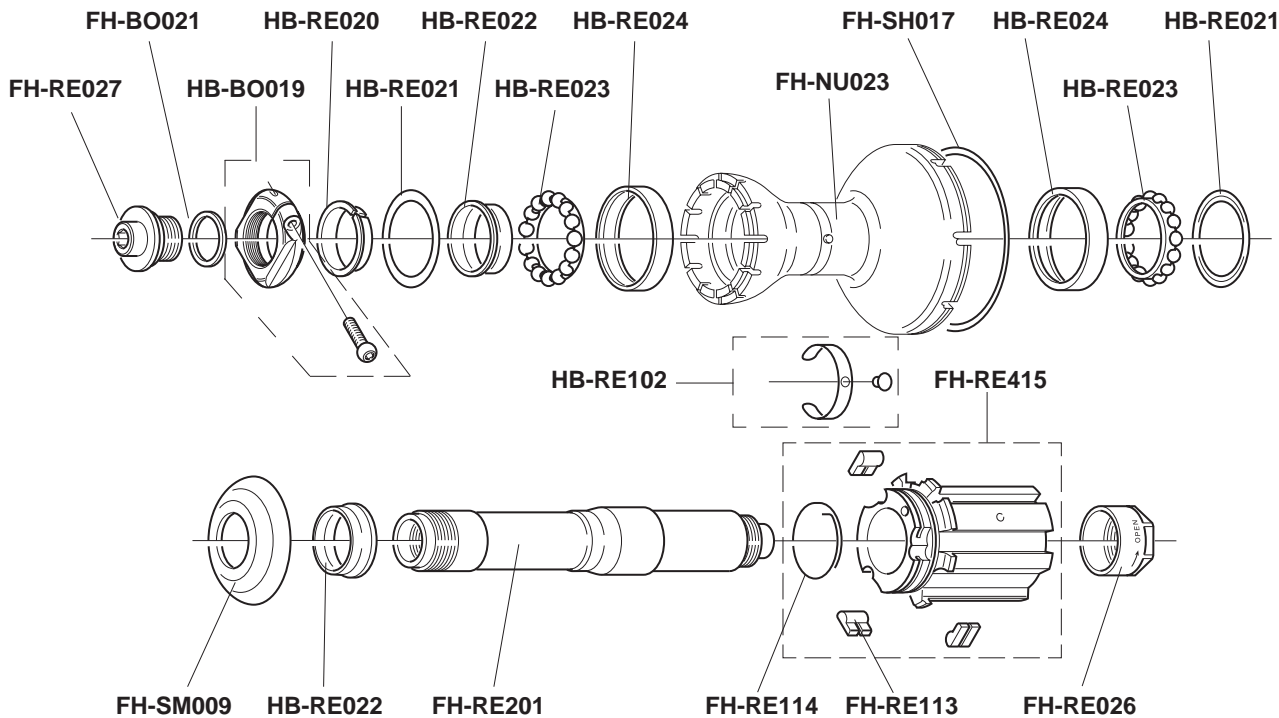
	COMPLETE WHEELS	A	compl. KIT (F + C + D)	compl. KIT (R + C + D + E)	MINI-KIT
FRONT	R-NU100 tubular 28"	WH-201NU	KIT-01NU (24 F+24 C+24D)		<b>tubular KIT-100NU</b>  (2 F + 2 R right + 2 R left + 6 C + 4 D + 2 E)
	R-NU300 clincher 28"	WH-401NU	KIT-03NU (24 F+24 C+24D)		
REAR	R-NU200 tubular 28"	WH-301NU		KIT-02NU (12 R right + 12 R left + 24 C + 12 D + 12 E)	<b>clincher KIT-200NU</b>  (2 F + 2 R right + 2 R left + 6 C + 4 D + 2 E)
	R-NU400 clincher 28"	WH-501NU		KIT-04NU (12 R right + 12 R left + 24 C + 12 D + 12 E)	

	COMPLETE WHEELS	F	R right	R left
FRONT	R-NU100 tubular 28"	L. 298 mm		
	R-NU300 clincher 28"	L. 294,5 mm		
REAR	R-NU200 tubular 28"		L. 301 mm	L. 298 mm
	R-NU400 clincher 28"		L. 296,5 mm	L. 294,5 mm

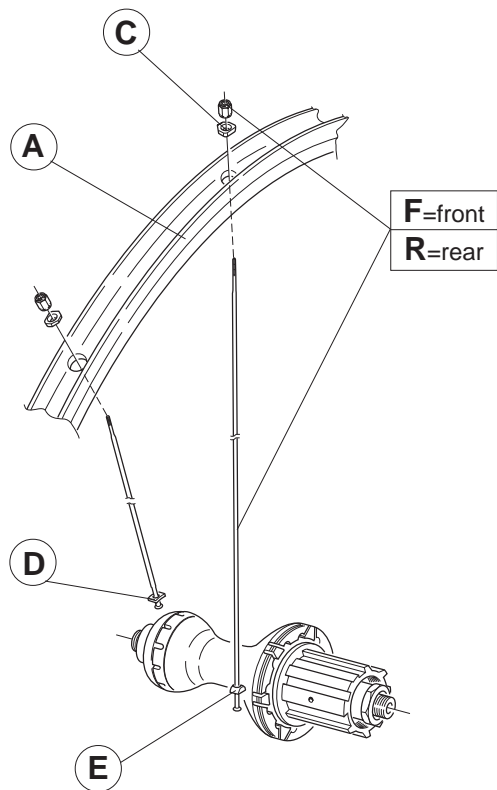
# NUCLEON



# NUCLEON 9 SPEED



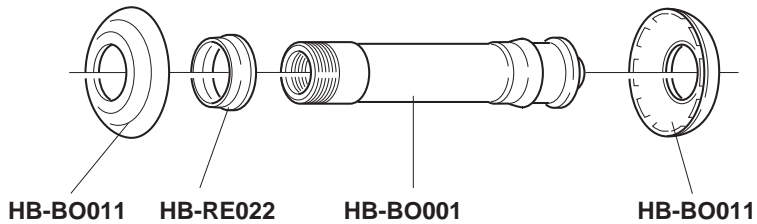
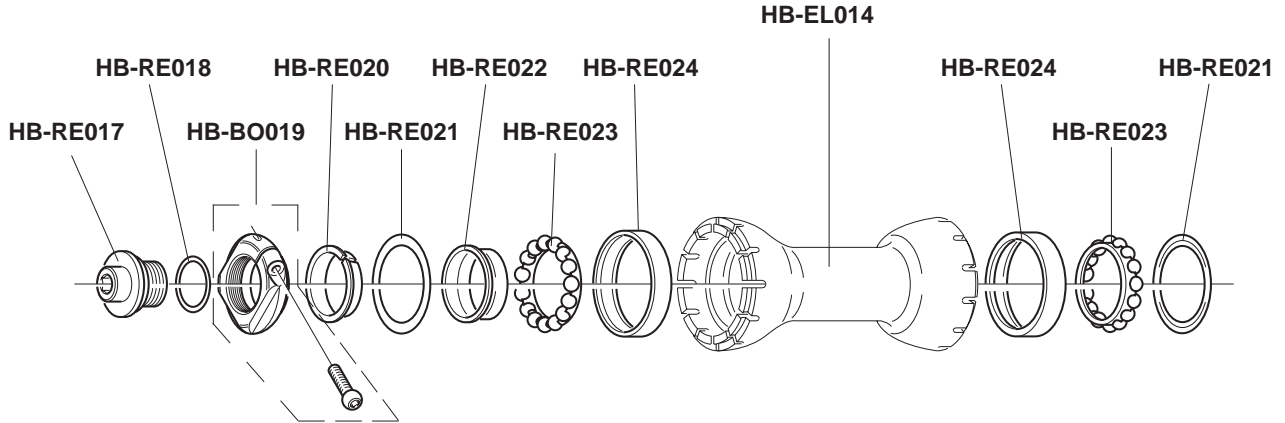
## ELECTRON 9 SPEED



	COMPLETE WHEELS	A	compl. KIT (F + C + D)	compl. KIT (R + C + D + E)	MINI-KIT
FRONT	R-EL302 clincher 28"	WH-102EL	KIT-01EL (24 F+24 C+24 D)		KIT-100EL  (2 F + 2 R right + 2 R left + 6 C + 4 D + 2 E)
REAR	R-EL402 clincher 28"	WH-103EL		KIT-02EL (13 R right + 13 R left + 26 C + 13 D + 13 E)	

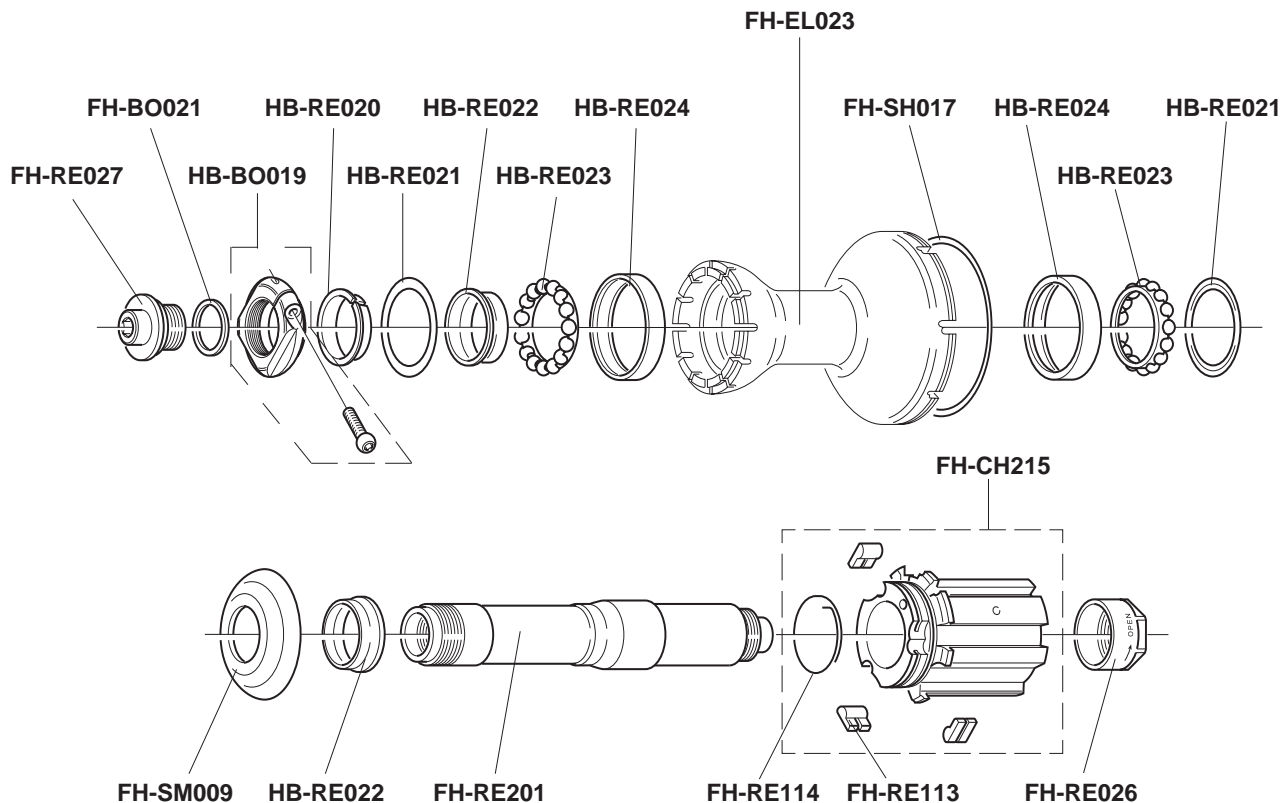
	COMPLETE WHEELS	F	R right	R left
FRONT	R-EL302 clincher 28"	L. 295 mm		
REAR	R-EL402 clincher 28"		L. 296,5 mm	L. 295 mm

# ELECTRON

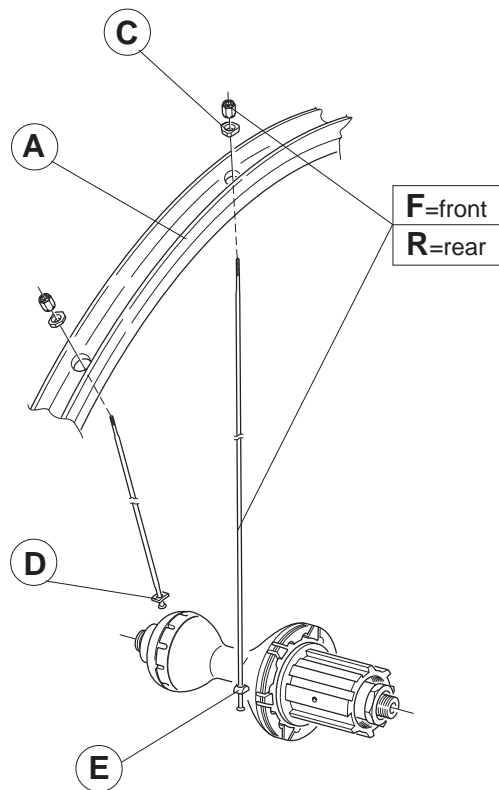




# ELECTRON 9 SPEED



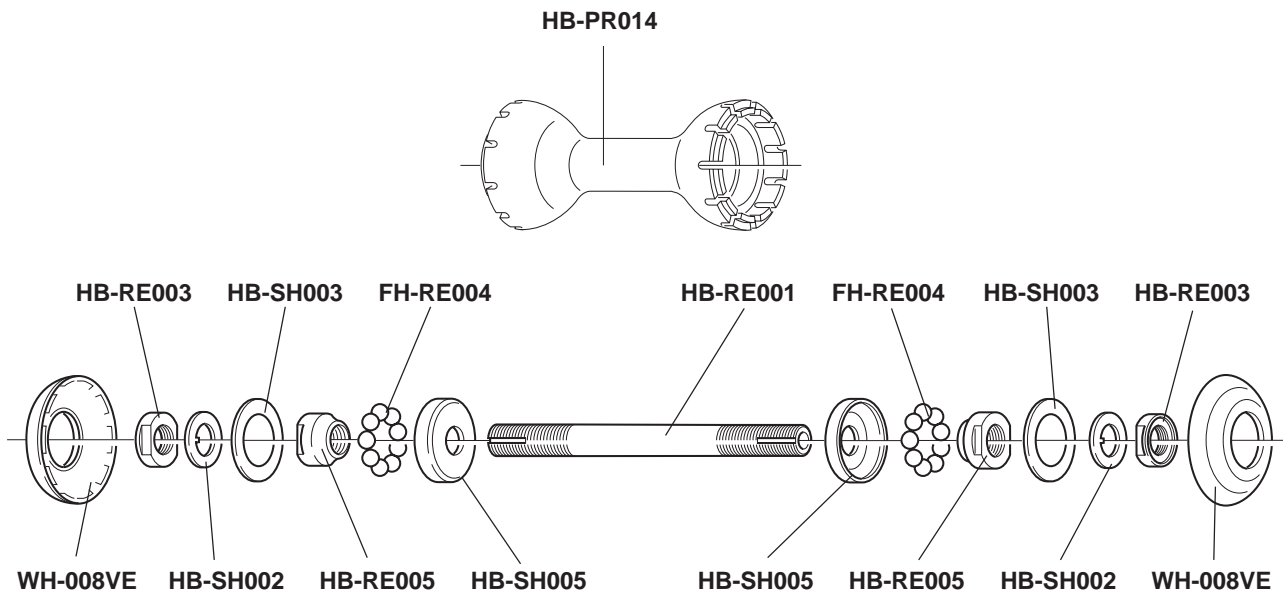
# PROTON 9 SPEED



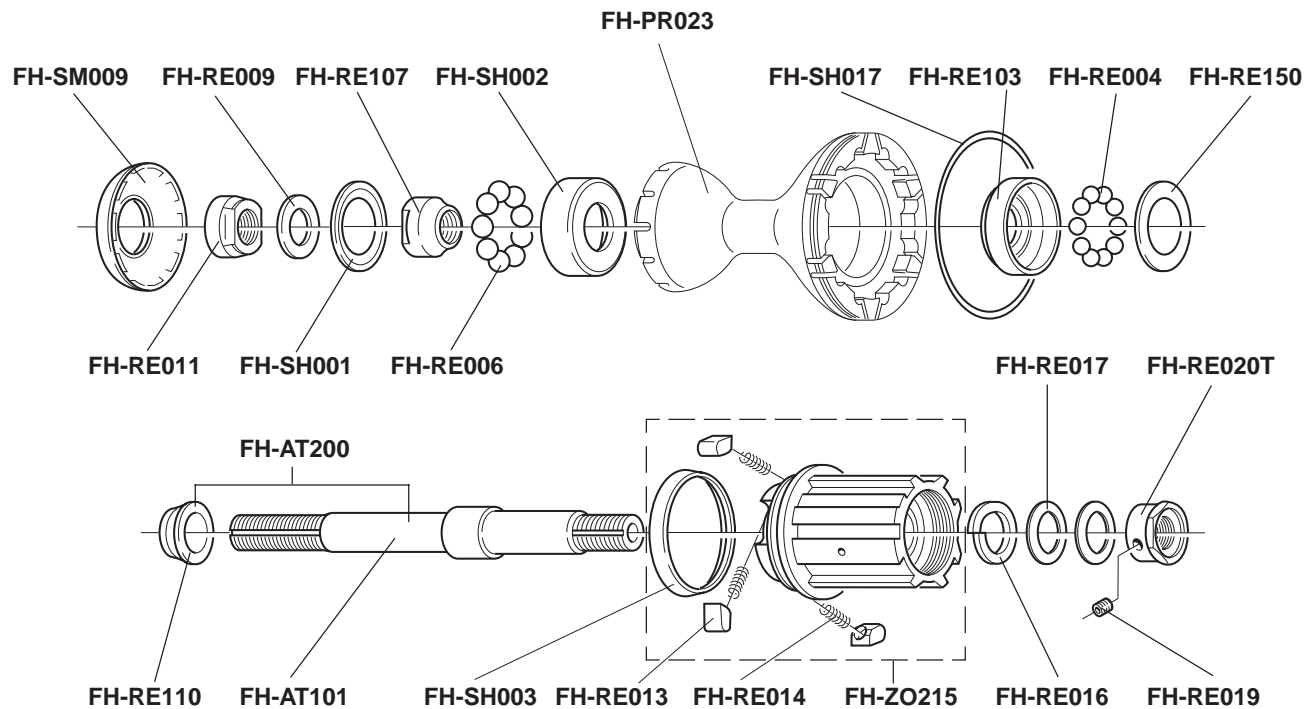
	COMPLETE WHEELS	A	compl. KIT (F + C + D)	compl. KIT (R + C + D + E)	MINI-KIT
FRONT	R-PR302 clincher 28"	WH-101PR	KIT-01PR (24 F + 24 C + 24 D)		KIT-100PR  (2 F + 2 R right + 2 R left + 6 C + 4 D + 2 E)
REAR	R-PR402 clincher 28"	WH-102PR		KIT-02PR (13 R right + 13 R left + 26 C + 13 D + 13 E)	

	COMPLETE WHEELS	F	R right	R left
FRONT	R-PR302 clincher 28"	L. 295 mm		
REAR	R-PR402 clincher 28"		L. 296,5 mm	L. 295 mm

**PROTON**



**PROTON  
9 SPEED**



	<b>ENGLISH</b>	<b>ITALIANO</b>	<b>FRANÇAIS</b>	<b>DEUTSCH</b>
<b>R</b>	RIGHT	DESTRO	DROIT	RECHTS
<b>L</b>	LEFT	SINISTRO	GAUCHE	LINKS
<b>F</b>	FRONT	ANTERIORE	AVANT	VORDERRAD
<b>R</b>	REAR	POSTERIORE	ARRIERE	HINTERRAD
<b>IT</b>	ITALIAN	ITALIANO	ITALIEN	ITALIENISCH
<b>BC</b>	ENGLISH	INGLESE	ANGLAIS	ENGLISCH
<b>TUBULAR</b>	TUBULAR	TUBOLARE	BOYAU	SCHLAUCHREIF
<b>CLINCHER</b>	CLINCHER	COPERTONCINO	PNEU ETROIT	DRAHTREIF

**ITALY****CAMPAGNOLO SRL\***

Via della Chimica, 4 - 36100  
Vicenza

Ph. +39-0-444-225604

Fax: +39-0-444-225400

E-Mail: service@campagnolo.com

**FRANCE****CAMPAGNOLO FRANCE \***

B.P. 148 - 42160 Andrezieux - Boutheon Cedex

Ph: +33-477-556305

Fax: +33-477-556345

E-Mail: campagnolo@campagnolo.fr

**MINIC 2000\***

Z.A. du Champ Niguel B.P. 52 - 35170 Bruz

Ph: +33-2-99050656

Fax: +33-2-99529859

**SOCIETE ALVAREZ JOSE\***

Route d'Agen - Z.I. Nord - 32020 Auch-Cedex 09

Ph: + 33-562-601158

Fax: +33-562-601173

E-Mail: pb.alvarez@wanadoo.fr

**CYCLES LAPIERRE S.A.\***

Rue Edmond Voisenet - 21005 Dijon Cedex

Ph: +33-3-80525186

Fax: +33-3-80520851

E-Mail: gilles.lapierre@wanadoo.fr

**SPAIN****CAMPAGNOLO IBERICA\***

Pintor Jesus Apellaniz, 17 - 01008 Vitoria

Ph: + 34-945-222504

Fax: +34-945-244007

E-Mail: campagnolo@campagnolo.es

**COMET\***

Polig. Erratzu, S/N - Alto de Irurain

Apartado Postal 191 - 20130 Urnieta Gipiuzkoa

Ph: +34-943-330195

Fax: +34-943-552556

E-Mail: cometsa@nexo.es

**JAIME LLORENTE \***

Capitan Blanco Argibay, 141  
28029 Madrid

Ph: +34-91-3153496

Fax: +34-91-3230652

E-Mail: a069314@sp-editores.es

**ENGLAND****J.D. WHISKER LTD\***

Bridgegate C.Tre - Martinfield AL71JG

Welwyn Garden City

Ph: +44-143-8798772

Fax: +44-143-879548

**MERCIAN CYCLES**

7, Shardlow Road, Alvaston - Derby DE2 0JG

Ph: +44-1332-752468

Fax: +44-1332-751033

**GERMANY****CAMPAGNOLO DEUTSCHLAND GMBH\***

An der Schusterinsel, 15 - 51379 Leverkusen

Ph: +49-2171-72430

Fax: +49-2171-724315

E-Mail: campagnolo@campagnolo.de

**STIER\***

Johannesstr. 11 - 70176 Stuttgart 1

Ph: +49-711-618801

Fax: +49-711-628577

**BRÜGELMANN**

Oberrliederbacherweg, 42

65842 Sulzbach/Frankfurth

Ph: +49-6196-750075

Fax: +49-6196-750074

E-Mail: info@bruegelmann.de

**AUSTRIA****WEKU\***

Rebgarten, 6 - 6973 Höchst

Ph: +43-5578-74911

Fax: +43-5578-74912

E-Mail: weku@weku.at

**FINLAND****VELOSPORT**

Kimmontie, 5 - 00610 Helsinki P.

Ph: +358-975-71377

Fax: +358-979-5498

E-Mail: info@velosport.fi

**SWEDEN****VISOM CYKLAR AB\***

Sjoviksvagen, 2 - 23162 Trelleborg

Ph: +46-410-41273

Fax: +46-410-41273

E-Mail: visom@trelleborg.mail.telia.com

**RACERDEPAN**

Drottninggatan, 1 - 44735 Vargarda

Ph: +46-32220590

Fax: +46-32224206

**DENMARK****AAGE KROLL\***

Jydekroen, 18 - Vallensbaek 2625

Ph: +45-43-660066

Fax: +45-43-660099

**HOLLAND****WOUT VERHOEVEN\***

Rodenrijsweg 409 - 2651Am Berkel en Rodenrijs

Ph: +31-10-5115014

Fax: +31-10-5117708

**CARD BENELUX\***

Nispensestraat, 72 - 4701 Cx Roosendaal

Ph: +31-165-564241

Fax: +31-165-563248

## BELGIUM

### SIMONS BV \*

Staatsbaan, 279 - Bekkevoort 3260  
Ph: +32-166-32095  
Fax: +32-166-32840

### BIKETEC N.V.\*

Getweg, 78 - 9890 Gavere  
Ph: +32-9-3845111  
Fax: +32-9-3844914

## SWITZERLAND

### PIERO ZURINO AG\*

Frauenfelderstrasse, 20 - 9542 Münchwilen TG  
Ph: +41-71-9666722  
Fax: +41-71-9666690  
E-Mail: pierozurino@bluewin.ch

## U.S.A.

### CAMPAGNOLO USA INC.\*

2105-L Camino Vida Roble - Carlsbad CA 92008  
Ph. +1-760-9310106  
Fax: +1-760-9310991  
E-Mail: info@campagnolousa.com

### OCHSNER INT. INC.\*

246 Marquardt Drive - Wheeling, IL 60090  
Ph: +1-847-4658200  
Fax: +1-847-4658282  
E-Mail: ochsner@sprynet.com

### EUROASIA\*

3935 Foothill Blvd, STE A - 91214 La Crescenta, CA  
Ph: +1-818-2481814  
Fax: +1-818-2481243

### QUALITY BIC. PRODUCTS\*

6400 w. 105TH Street - Bloomington,  
MN 55438-2554  
Ph: +1-612-9419391  
Fax: +1-612-9419799  
E-Mail: campagnoloservice@qbp.com

## UNITED BICYCLE PARTS\*

691 Washington Street - 97520 Ashland, OR  
Ph: +1-541-4881984  
Fax: +1-541-4880192

## CANADA

### CYCLES MARINONI

1067, Levis Lachenaie - Quebec J6W 4L2  
Ph: +1-450-4717133  
Fax: +1-450-4719887  
E-Mail: webmaster@marinoni.qc.ca

### GREAT WESTERN

233 West Broadway - Vancouver, BC V5Y 1P5  
Ph: +1-604-8722424  
Fax: +1-604-8720222

## LATIN AMERICA

### PACIFIC BIKE CO.\*

Rua Alvarenga 1511 - City Butantia -  
CEP 05509-00 Sao Paulo/SP - BRASIL  
Ph.+55-11-8162249  
Fax:+55-11-8160544

### CASA ITALIA

Av. Agraciada 4174 - Montevideo - URUGUAY  
Ph: +598-2-3098142  
Fax: +598-2-3045539  
E-Mail: casaital@adinet.com.uy

### ANGEL DIAZ\*

Av. Constituyentes 4884 - Casilla de Correo 149  
1431 Buenos Aires - ARGENTINA  
Ph: +54-157-16481  
Fax: +54-157-27048  
E-Mail: info@rodadosdiaz.com.ar

## NEW ZEALAND

### WH WORRALL\*

Symonds Street - P.O. Box 8381 - Auckland  
Ph: +64-9-6303901  
Fax: +64-9-6303839  
E-Mail:office@worrall.co.nz

## AUSTRALIA

### CONTINENTAL OC. P/L\*

P.O. Box 42 - Bondi Junction - 2022 NSW  
Ph: +61-2-93694761  
Fax: +61-2-93892662  
E-Mail: contipecc@ozemail.com.au

### BIKE SPORTZ\*

11 Macbeth Street - Braeside, Victoria 3195  
Ph: +61-3-95872344  
Fax: +61-3-95876951  
E-Mail: cramerd@ozemail.com.au

## FAR EAST

### THE WING'S CO.

250 Tung Shoi St. G/F Mongkok - Kowloon  
HONG KONG  
Ph: +852-2381-2635  
Fax: +852-23-974094

### KAWASHIMA\*

N. 4-2-4, Kushiya-Cho - Higashi Sakai  
590 Osaka JAPAN  
Ph: +81-722-381557  
Fax: +81-722-386213  
E-mail: riog@osk.3web.ne.jp

### NICHINAO SHOKAI\*

6-16-8 Sotokanda Chiyodaku - 101 Tokyo  
JAPAN  
Ph: +81-3-38326251  
Fax: +81-3-38326266  
E-Mail:daiou@hi-ho.ne.jp



**NOTA IMPORTANTE:** gli indirizzi contrassegnati con un asterisco (\*) si riferiscono a grossisti o a filiali della Campagnolo che **non** vendono direttamente al pubblico. Potete contattarli per sapere quale è il rivenditore di ricambi originali Campagnolo più vicino a voi.

**IMPORTANT NOTICE:** sources marked with an asterisk (\*) indicate wholesale distributors or Campagnolo branch offices and do **not** sell directly to the public. When contacted for spare part purchases they might refer you to the closest retailer in your area.

# NOTES





# NOTES