

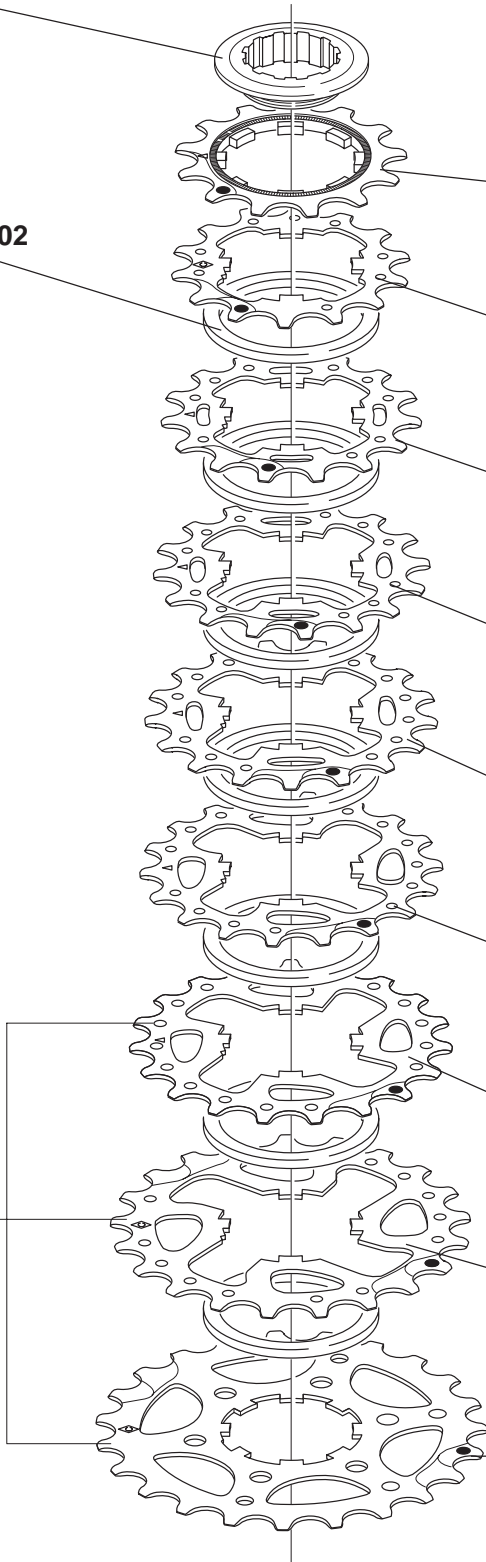


# RECORD 9 Speed CS-09RE

CS-201

CS-102

T  
I  
T  
A  
N  
I  
U  
M



<b>12 - 21</b>	<b>12 - 23</b>	<b>13 - 23</b>	<b>13 - 26</b>
<b>12A-1P</b>	<b>12A-1P</b>	<b>13-A1P</b>	<b>13A-1P</b>
9S-012	9S-012	9S-013	9S-013
<b>13A</b>	<b>13A</b>	<b>14A</b>	<b>14A</b>
9S-131	9S-131	9S-141	9S-141
<b>14A</b>	<b>14A</b>	<b>15A</b>	<b>15A</b>
9S-141	9S-141	9S-151	9S-151
<b>15A</b>	<b>15A</b>	<b>16A</b>	<b>16A</b>
9S-151	9S-151	9S-161	9S-161
<b>16A</b>	<b>16A</b>	<b>17A</b>	<b>17A</b>
9S-161	9S-161	9S-171	9S-171
<b>17A</b>	<b>17A</b>	<b>18C</b>	<b>19A</b>
9S-171	9S-171	9S-183	9S-191
<b>18C</b>	<b>19A</b>	<b>19C</b>	<b>21A</b>
9S-183T	9S-191T	9S-193T	9S-211T
<b>19C</b>	<b>21A</b>	<b>21C</b>	<b>23A</b>
9S-193T	9S-211T	9S-213T	9S-231T
<b>21C</b>	<b>23A</b>	<b>23C</b>	<b>26A</b>
9S-213T	9S-231T	9S-233T	9S-261T

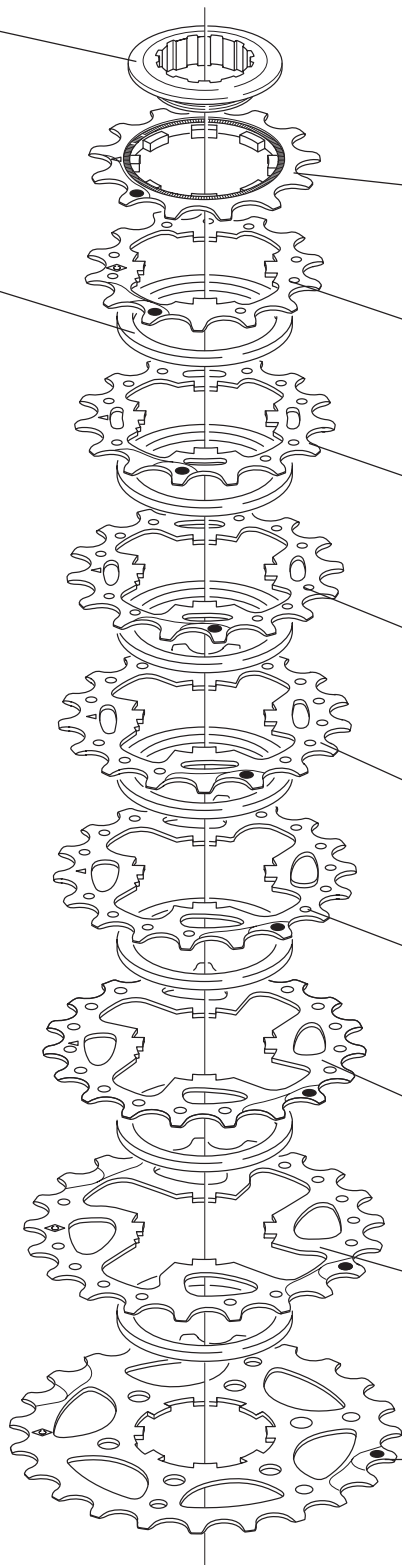
*Campagnolo*

# RECORD 9 Speed Titanium CS-09RETI



CS-201T

CS-102



<b>12 - 21</b>	<b>12 - 23</b>	<b>13 - 23</b>	<b>13 - 26</b>
<b>12A-1P</b>	<b>12A-1P</b>	<b>13-A1P</b>	<b>13A-1P</b>
9S-012T	9S-012T	9S-013T	9S-013T
<b>13A</b>	<b>13A</b>	<b>14A</b>	<b>14A</b>
9S-131T	9S-131T	9S-141T	9S-141T
<b>14A</b>	<b>14A</b>	<b>15A</b>	<b>15A</b>
9S-141T	9S-141T	9S-151T	9S-151T
<b>15A</b>	<b>15A</b>	<b>16A</b>	<b>16A</b>
9S-151T	9S-151T	9S-161T	9S-161T
<b>16A</b>	<b>16A</b>	<b>17A</b>	<b>17A</b>
9S-161T	9S-161T	9S-171T	9S-171T
<b>17A</b>	<b>17A</b>	<b>18C</b>	<b>19A</b>
9S-171T	9S-171T	9S-183T	9S-191T
<b>18C</b>	<b>19A</b>	<b>19C</b>	<b>21A</b>
9S-183T	9S-191T	9S-193T	9S-211T
<b>19C</b>	<b>21A</b>	<b>21C</b>	<b>23A</b>
9S-193T	9S-211T	9S-213T	9S-231T
<b>21C</b>	<b>23A</b>	<b>23C</b>	<b>26A</b>
9S-213T	9S-231T	9S-233T	9S-261T

*Campagnolo*

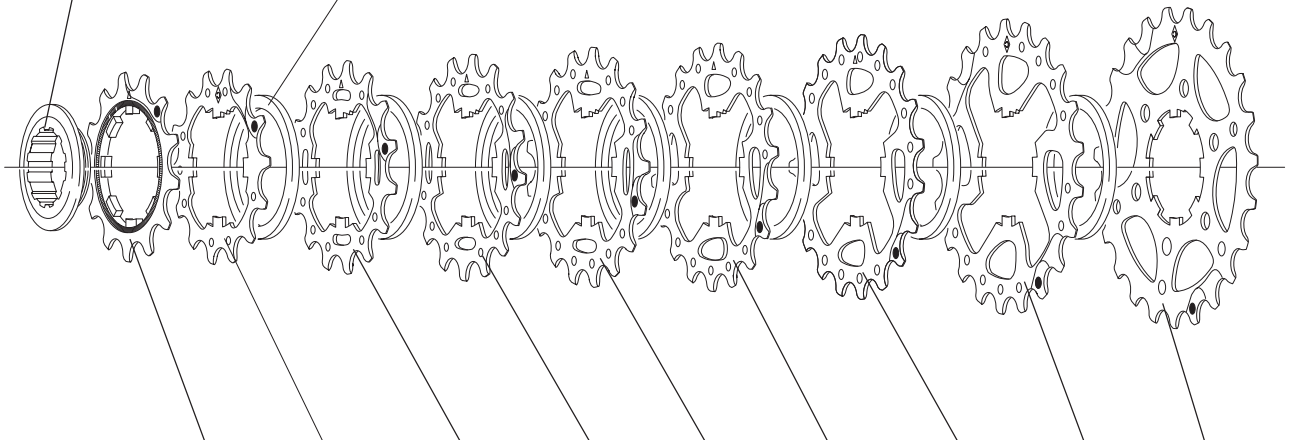


# 9 Speed CS-09SP

CS-301 (Z11)

CS-201 (Z12-Z13)

CS-002



<b>11 - 21</b>	<b>11A-1P</b>	<b>12A</b>	<b>13A</b>	<b>14A</b>	<b>15A</b>	<b>16A</b>	<b>17A</b>	<b>19A</b>	<b>21A</b>
	9S-011	9S-021	9S-131	9S-141	9S-151	9S-161	9S-171	9S-191	CS-211
<b>11 - 23</b>	<b>11B-1P</b>	<b>12B</b>	<b>13B</b>	<b>14B</b>	<b>15B</b>	<b>17B</b>	<b>19A</b>	<b>21A</b>	<b>23A</b>
	9S-012	9S-022	9S-132	9S-142	9S-152	9S-172	9S-191	9S-211	CS-231
<b>12 - 21</b>	<b>12A-1P</b>	<b>13A</b>	<b>14A</b>	<b>15A</b>	<b>16A</b>	<b>17A</b>	<b>18C</b>	<b>19C</b>	<b>21C</b>
	9S-013	9S-131	9S-141	9S-151	9S-161	9S-171	9S-183	9S-193	CS-213
<b>12 - 23</b>	<b>12A-1P</b>	<b>13A</b>	<b>14A</b>	<b>15A</b>	<b>16A</b>	<b>17A</b>	<b>19A</b>	<b>21A</b>	<b>23A</b>
	9S-013	9S-131	9S-141	9S-151	9S-161	9S-171	9S-191	9S-211	CS-231
<b>13 - 23</b>	<b>13A-1P</b>	<b>14A</b>	<b>15A</b>	<b>16A</b>	<b>17A</b>	<b>18C</b>	<b>19C</b>	<b>21C</b>	<b>23C</b>
	9S-014	9S-141	9S-151	9S-161	9S-171	9S-183	9S-193	9S-213	CS-233
<b>13 - 26</b>	<b>13A-1P</b>	<b>14A</b>	<b>15A</b>	<b>16A</b>	<b>17A</b>	<b>19A</b>	<b>21A</b>	<b>23A</b>	<b>26A</b>
	9S-014	9S-141	9S-151	9S-161	9S-171	9S-191	9S-211	9S-231	CS-261

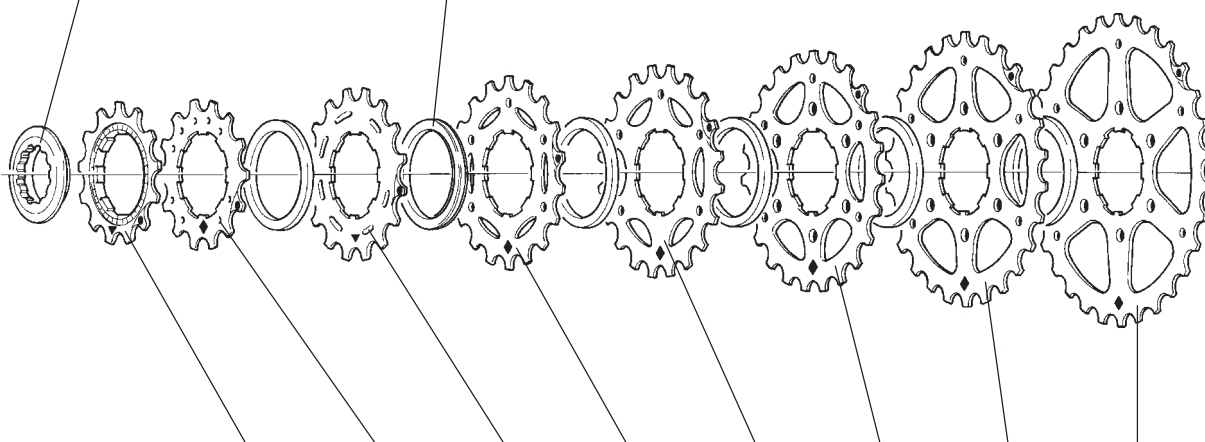




# 8 Speed CS-08SP

CS-301 (Z11)  
CS-001V (Z12-Z13-Z14-Z16)

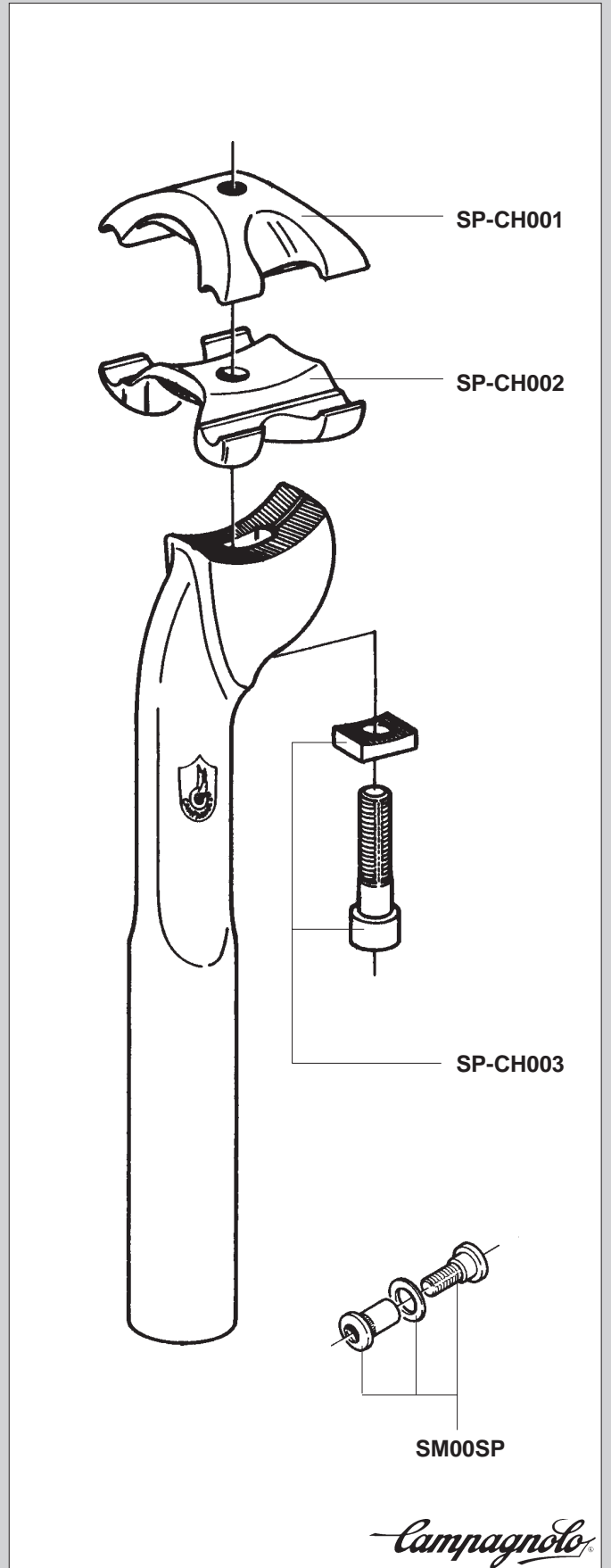
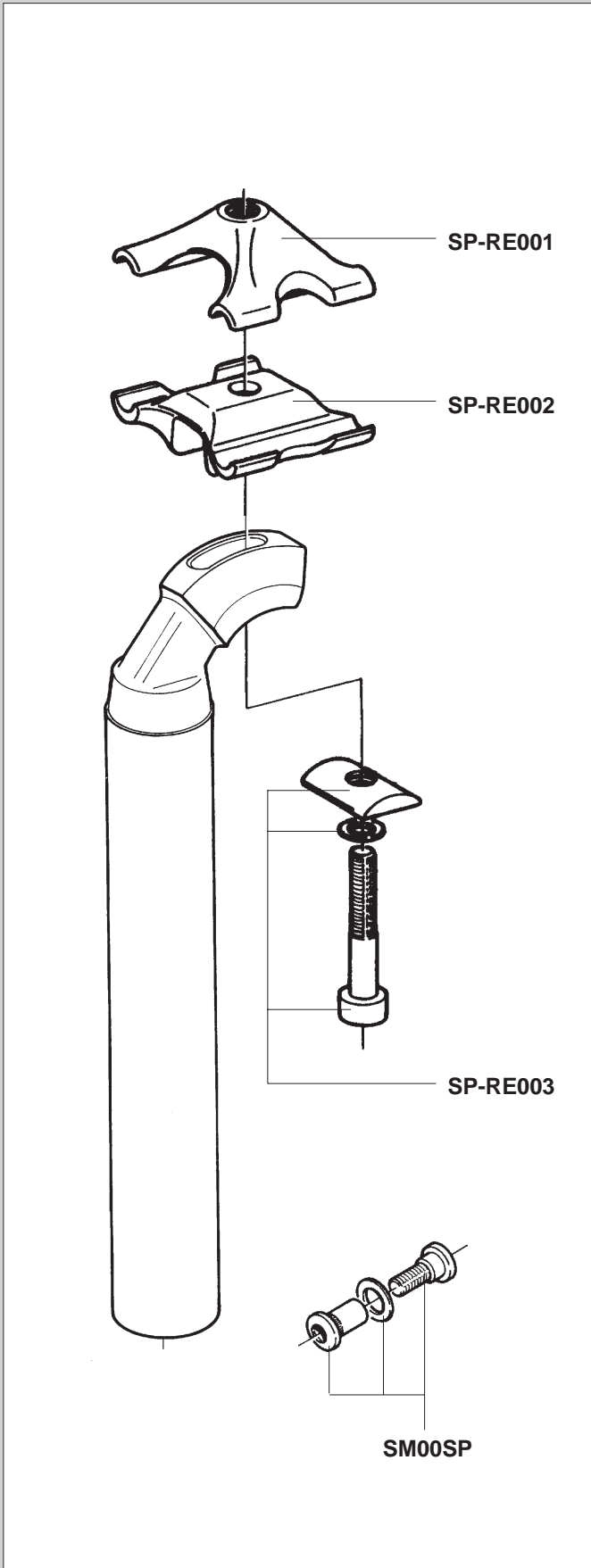
CS-002



<b>11 - 21</b>	<b>11B-1P</b>	<b>12B-1P</b>	<b>13B</b>	<b>14B</b>	<b>15B</b>	<b>17B</b>	<b>19A</b>	<b>21A</b>
	CS-011V	CS-004V	CS-132V	CS-142V	CS-152V	CS-172V	CS-191V	CS-211V
<b>12 - 21</b>	<b>12A-1P</b>	<b>13A</b>	<b>14A</b>	<b>15A</b>	<b>16A</b>	<b>17A</b>	<b>19A</b>	<b>21A</b>
	CS-003V	CS-131V	CS-141V	CS-151V	CS-161V	CS-171V	CS-191V	CS-211V
<b>12 - 23</b>	<b>12B-1P</b>	<b>13B</b>	<b>14B</b>	<b>15B</b>	<b>17B</b>	<b>19A</b>	<b>21A</b>	<b>23A</b>
	CS-004V	CS-132V	CS-142V	CS-152V	CS-172V	CS-191V	CS-211V	CS-231V
<b>12 - 25</b>	<b>12C-1P</b>	<b>13C</b>	<b>15C</b>	<b>17B</b>	<b>19A</b>	<b>21A</b>	<b>23A</b>	<b>25A</b>
	CS-010V	CS-133V	CS-153V	CS-172V	CS-191V	CS-211V	CS-231V	CS-251V
<b>13 - 23</b>	<b>13A-1P</b>	<b>14A</b>	<b>15A</b>	<b>16A</b>	<b>17A</b>	<b>19A</b>	<b>21A</b>	<b>23A</b>
	CS-005V	CS-141V	CS-151V	CS-161V	CS-171V	CS-191V	CS-211V	CS-231V
<b>13 - 26</b>	<b>13B-1P</b>	<b>14B</b>	<b>15B</b>	<b>17B</b>	<b>19A</b>	<b>21A</b>	<b>23A</b>	<b>26A</b>
	CS-006V	CS-141V	CS-151V	CS-172V	CS-191V	CS-211V	CS-231V	CS-261V
<b>14 - 26</b>	<b>14A-1P</b>	<b>15A</b>	<b>16A</b>	<b>17A</b>	<b>19A</b>	<b>21A</b>	<b>23A</b>	<b>26A</b>
	CS-007V	CS-151V	CS-161V	CS-171V	CS-191V	CS-211V	CS-231V	CS-261V
<b>16 - 23</b>	<b>16A-1P</b>	<b>17A</b>	<b>18C</b>	<b>19C</b>	<b>20D</b>	<b>21D</b>	<b>22D</b>	<b>23D</b>
	CS-012V	CS-171V	CS-183V	CS-193V	CS-204V	CS-214V	CS-224V	CS-234V

# RECORD SP-10RE CHORUS SP-10CH

# ATHENA SP-10AT












# CABLES AND CASINGS COMPLETE SET

GROUP DESTINATION	DERAILLEURS	BRAKES
RECORD ERGOPOWER	CG-ER101	
RECORD TRADITIONAL	CG-DD101	CG-BR101
CHORUS ERGOPOWER	CG-ER101	
CHORUS TRADITIONAL	CG-DD101	CG-BR101
ATHENA ERGOPOWER	CG-ER101	
ATHENA TRADITIONAL	CG-DD101	CG-BR101
VELOCE ERGOPOWER	CG-ER002	
VELOCE TRADITIONAL	CG-DD102	CG-BR102
MIRAGE ERGOPOWER	CG-ER002	
MIRAGE TRADITIONAL	CG-DD102	CG-BR102
AVANTI ERGOPOWER	CG-ER002	
AVANTI TRADITIONAL	CG-DD102	CG-BR102

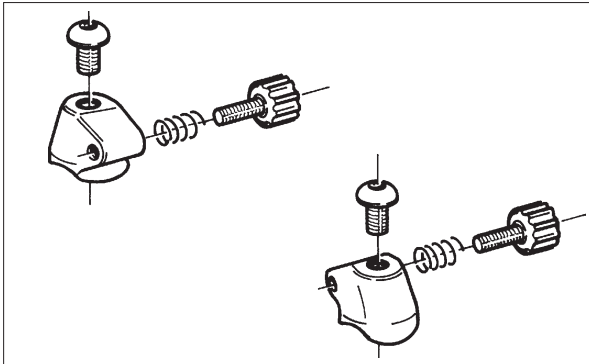
# CABLES AND CASINGS SPARE PARTS



		FRONT	REAR
<b>BRAKES</b>		Ø 1,6 mm L. 800 mm <b>CG-CB003</b>	Ø 1,6 mm L. 1600 mm <b>CG-CB013</b>
		Ø 5 mm L. 580 mm <b>CG-CS014</b>	Ø 5 mm L. 1250 mm <b>CG-CS002</b>
		Ø 6 mm <b>CG-CS011</b>	
<b>DERAILLEURS</b>	 Ø 1,2 mm	ERGOPOWER	L. 1600 <b>CG-CB014</b>
		ERGOPOWER	L. 2000 <b>CG-CB009</b>
		SHIFTING LEVERS	L. 830 <b>CG-CB011</b>
		SHIFTING LEVERS	L. 1600 <b>CG-CB014</b>
	 Ø 4,5 mm	ERGOPOWER	L. 680 <b>CG-CS015</b>
		ERGOPOWER	L. 330 <b>CG-CS008</b>
		Ø 5,7 mm <b>CG-CS012</b>	
		Ø 5,7/4 mm <b>CG-CS013</b>	

*Campagnolo*



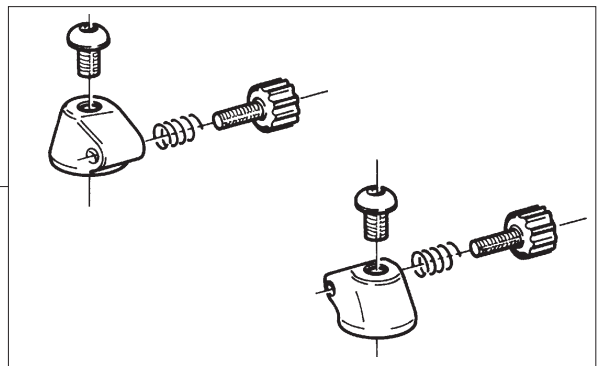


## ERGOPOWER BLOCKS FOR STEEL FRAME

Aluminium: EC-RE001 Resin: EC-AT001

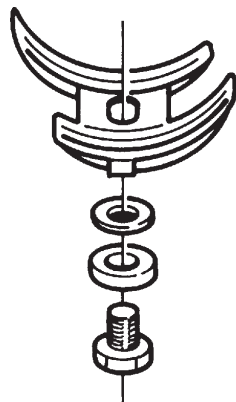
## ERGOPOWER BLOCKS FOR CARBON FRAME

Aluminium: EC-RE002 Resin: EC-AT002



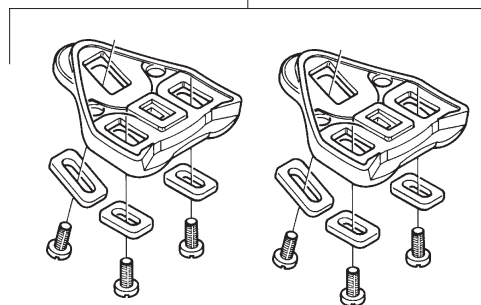
## CABLE GUIDE PLATE

AI-00CD

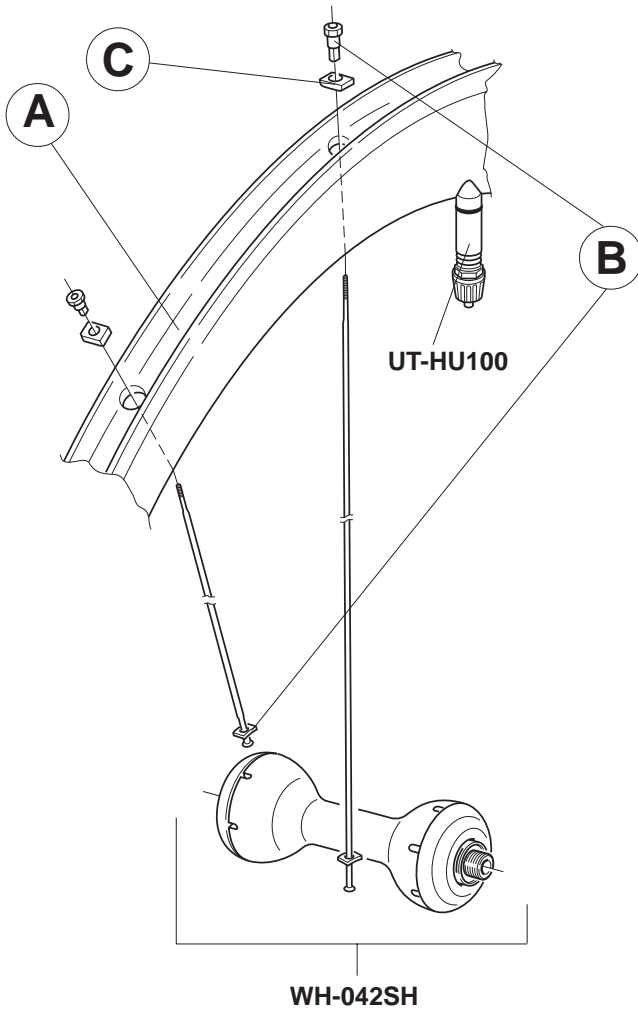


## CLEATS FOR QR PEDALS

PD-RE003

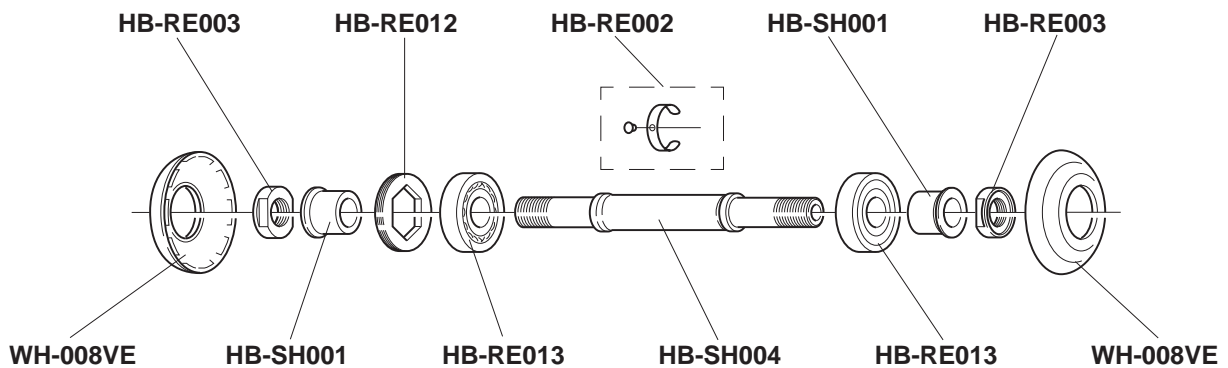


# WHEELS SHAMAL *9 Speed* - FRONT



COMPLETE WHEELS	A	KIT (B + C)
R-SH107 tubular 26"	WH-001SH	KIT-91SH
R-SH108 tubular 28"	WH-003SH	KIT-92SH
R-SH304 clincher 28"	WH-005SH	KIT-92SH

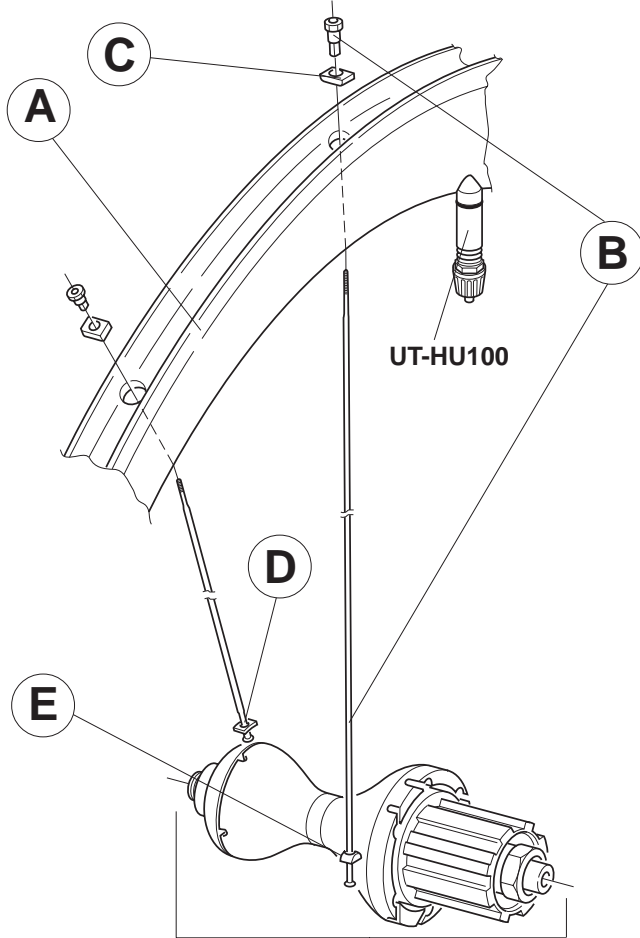
COMPLETE WHEELS	B
R-SH107 tubular 26"	L. 257 mm
R-SH108 tubular 28"	L. 282 mm
R-SH304 clincher 28"	L. 282 mm



*Campagnolo*



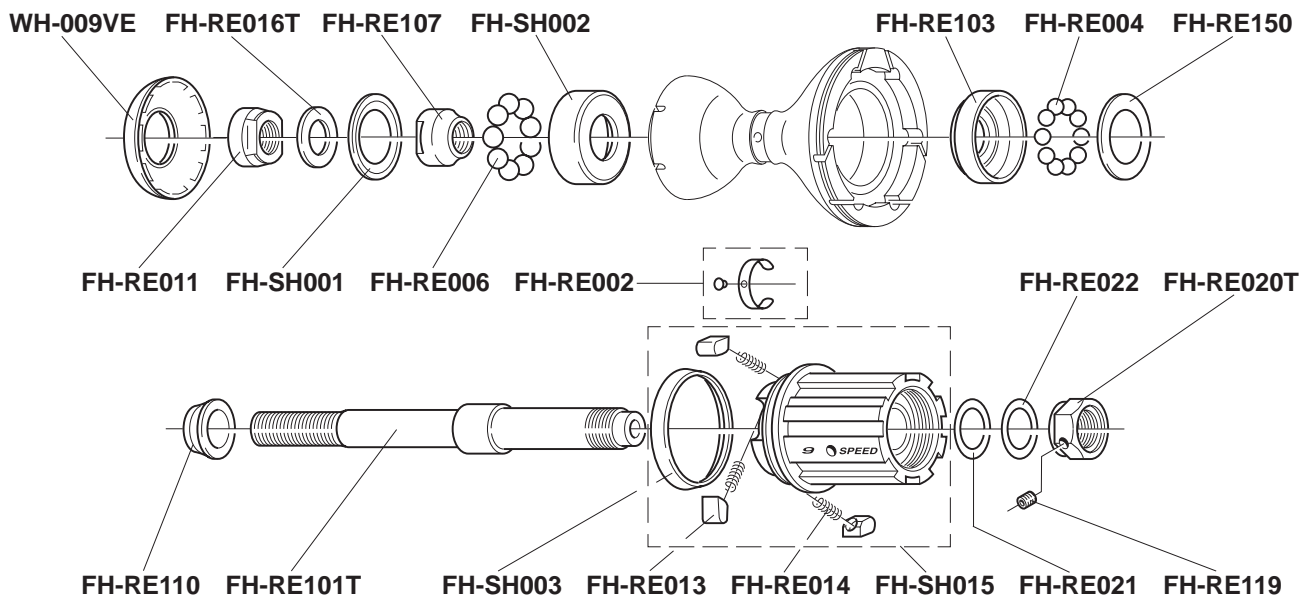
# WHEELS SHAMAL *9 Speed* - REAR



WH-043SH

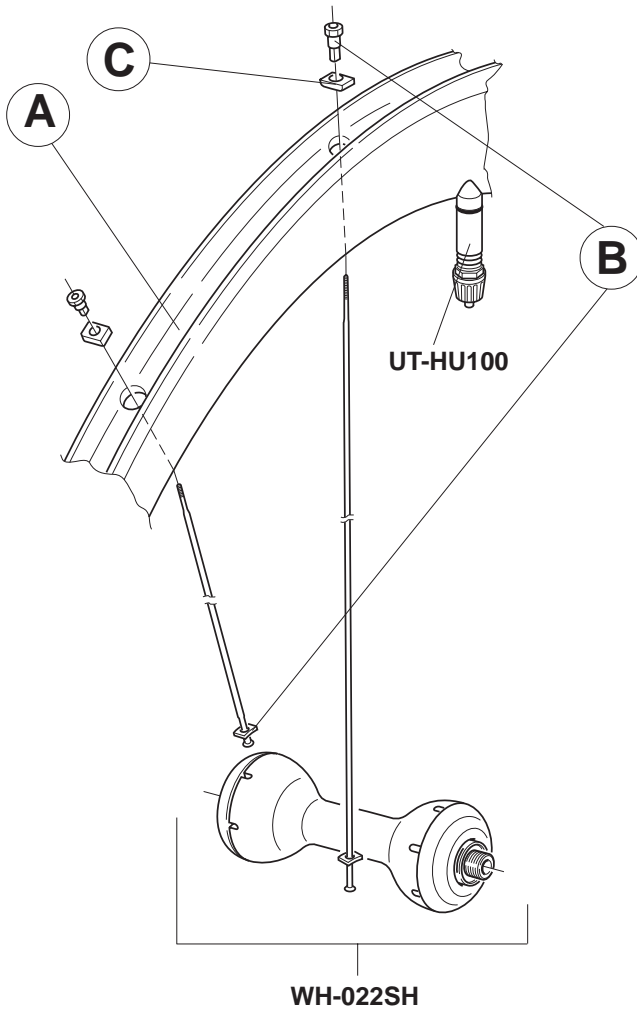
COMPLETE WHEELS	A	KIT (B + C + D + E)
R-SH207 tubular 26"	WH-001SH	KIT-93SH
R-SH208 tubular 28"	WH-003SH	KIT-94SH
R-SH404 clincher 28"	WH-005SH	KIT-94SH

COMPLETE WHEELS	B right	B left
R-SH207 tubular 26"	L. 258 mm	L. 257 mm
R-SH208 tubular 28"	L. 283 mm	L. 282 mm
R-SH404 clincher 28"	L. 283 mm	L. 282 mm



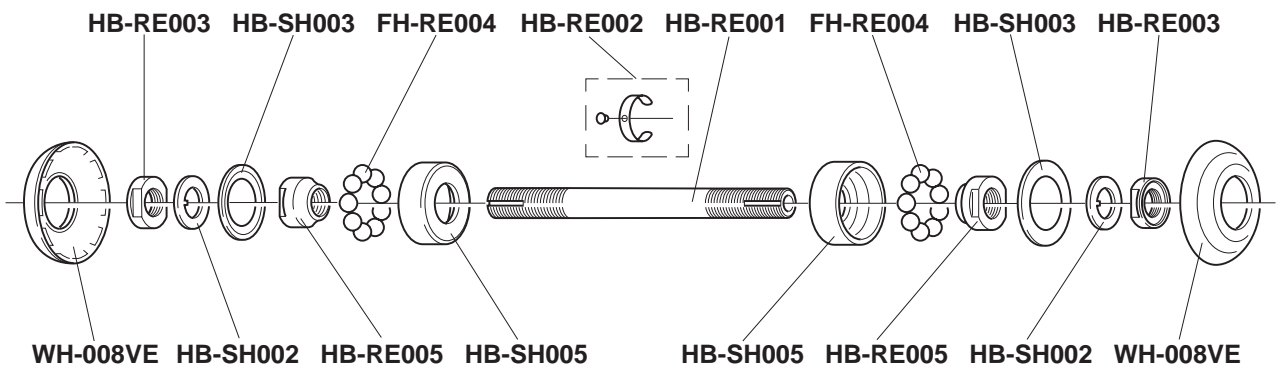
*Campagnolo*

# WHEELS SHAMAL 8-speed - FRONT



COMPLETE WHEELS	A	KIT (B + C)
R-SH104 tubular 26"	WH-001SH	KIT-91SH
R-SH105 tubular 28"	WH-003SH	KIT-92SH
R-SH303 clincher 28"	WH-005SH	KIT-92SH

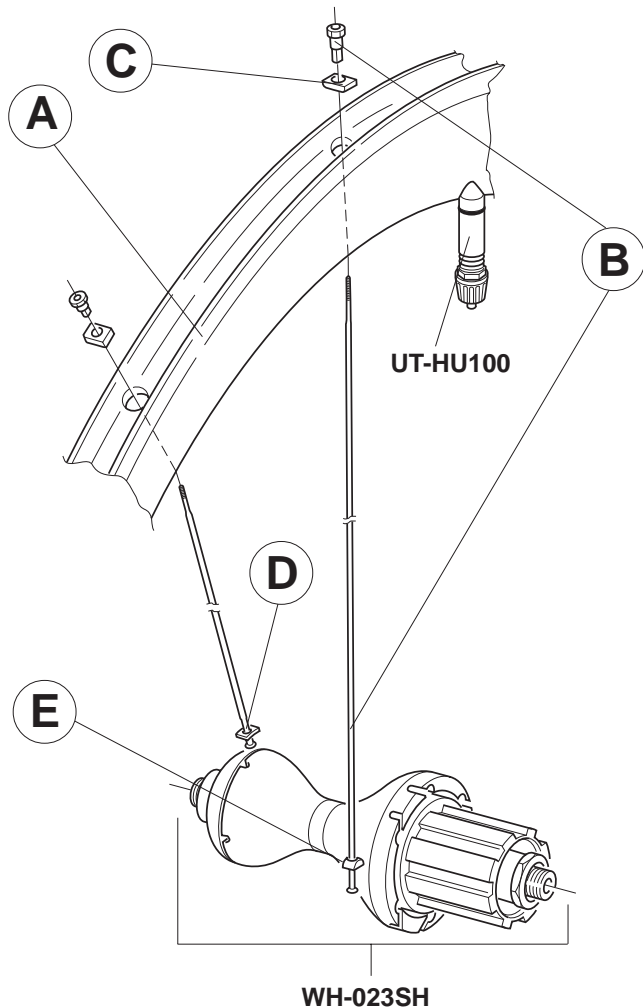
COMPLETE WHEELS	B
R-SH104 tubular 26"	L. 257 mm
R-SH105 tubular 28"	L. 282 mm
R-SH303 clincher 28"	L. 282 mm



*Campagnolo*

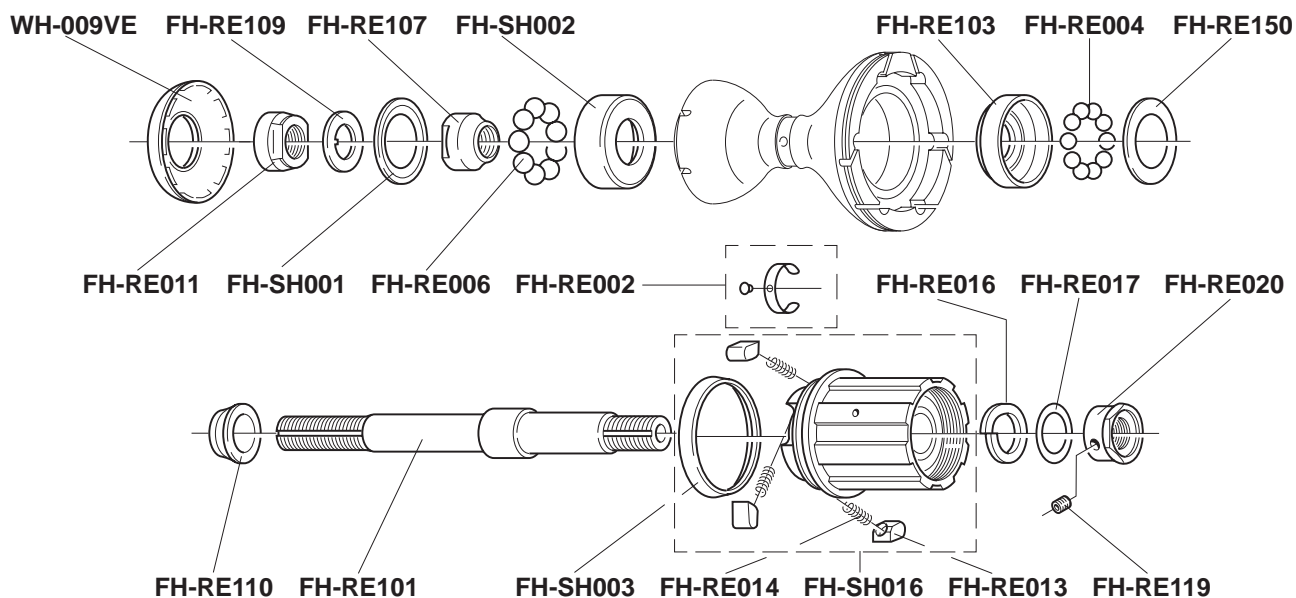


# WHEELS SHAMAL 8-speed - REAR



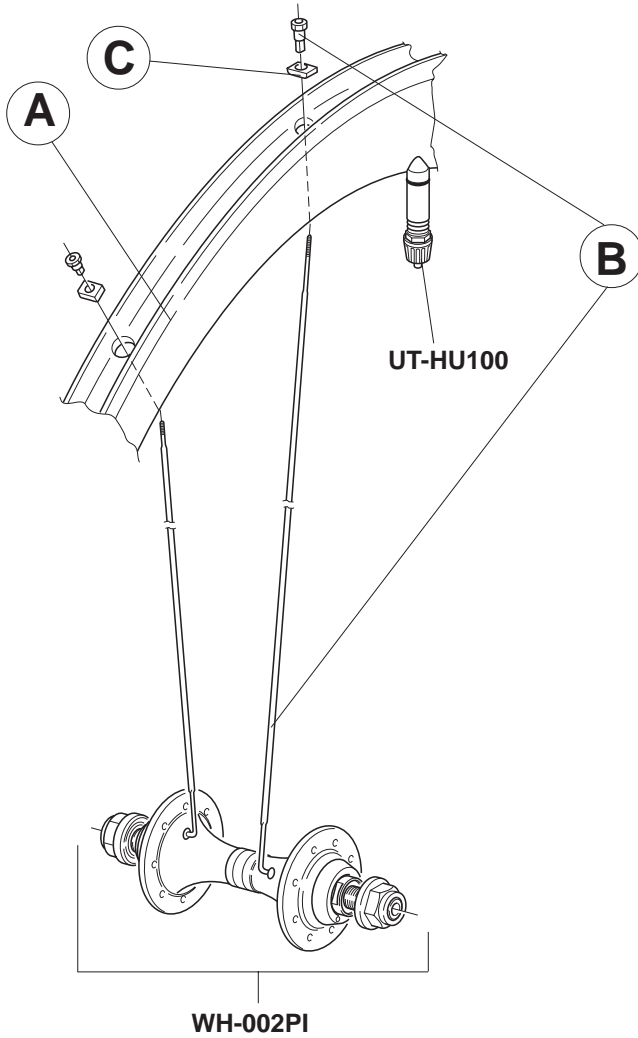
COMPLETE WHEELS	A	KIT (B + C + D + E)
R-SH205 tubular 26"	WH-001SH	KIT-93SH
R-SH206 tubular 28"	WH-003SH	KIT-94SH
R-SH405 clincher 28"	WH-005SH	KIT-94SH

COMPLETE WHEELS	B right	B left
R-SH205 tubular 26"	L. 258 mm	L. 257 mm
R-SH206 tubular 28"	L. 283 mm	L. 282 mm
R-SH405 clincher 28"	L. 283 mm	L. 282 mm



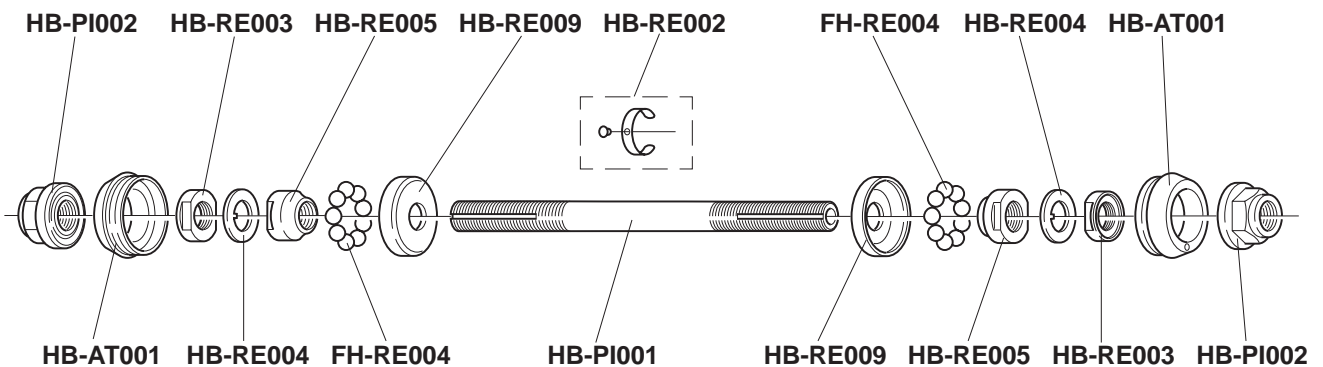
*Campagnolo*

# WHEELS SHAMAL 16-TRACK - FRONT



COMPLETE WHEEL	A	KIT (B + C)
R-SH106 tubular 28"	WH-009SH	KIT-01SH

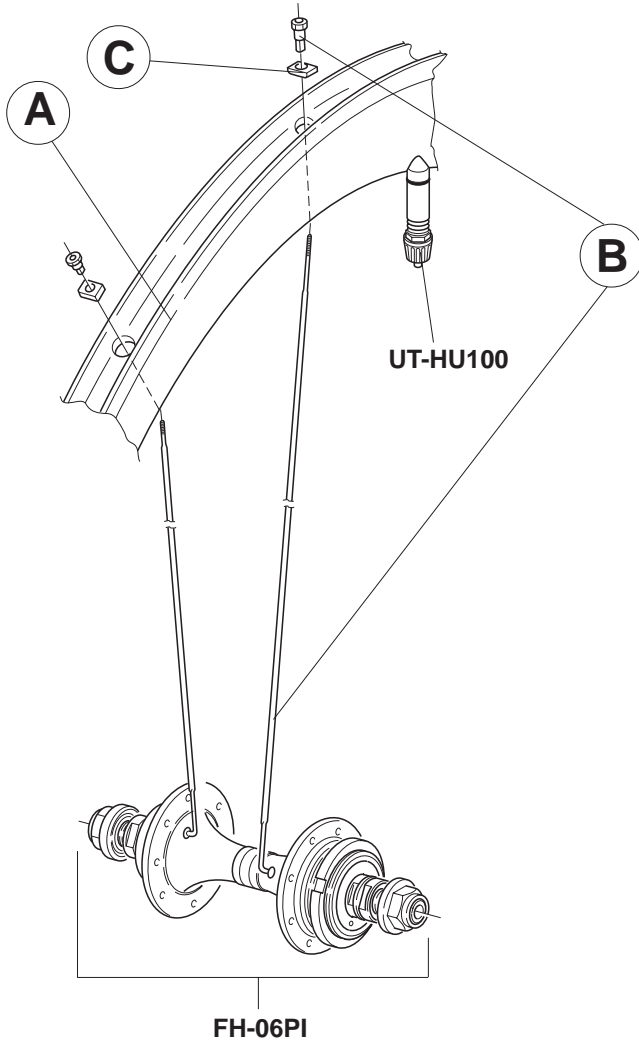
COMPLETE WHEEL	B
R-SH106 tubular 28"	L. 276 mm



*Campagnolo*

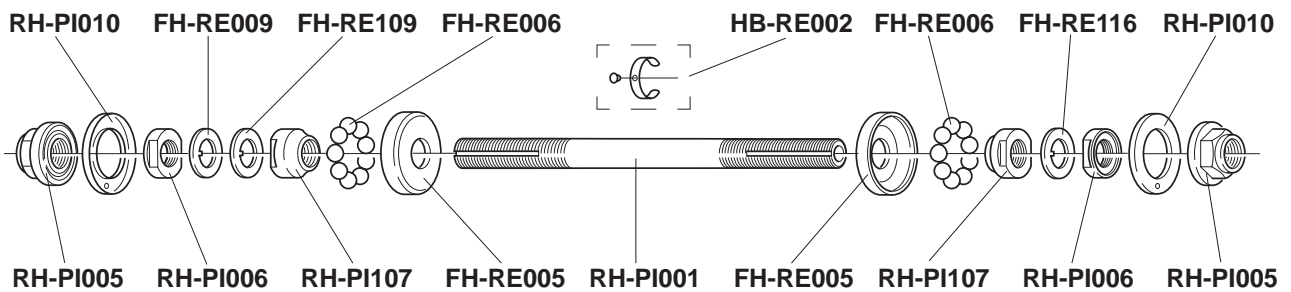
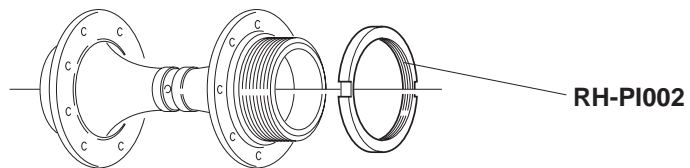


# WHEELS SHAMAL 16-TRACK - REAR



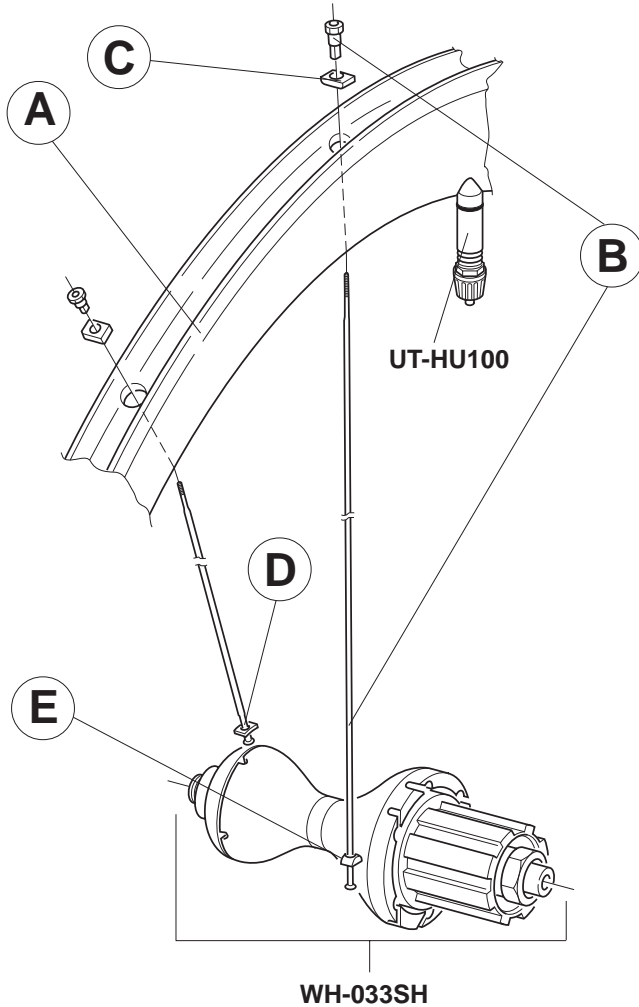
COMPLETE WHEEL	A	KIT (B + C)
R-SH204 tubular 28"	WH-009SH	KIT-02SH

COMPLETE WHEEL	B right	B left
R-SH204 tubular 28"	L. 277 mm	L. 274 mm



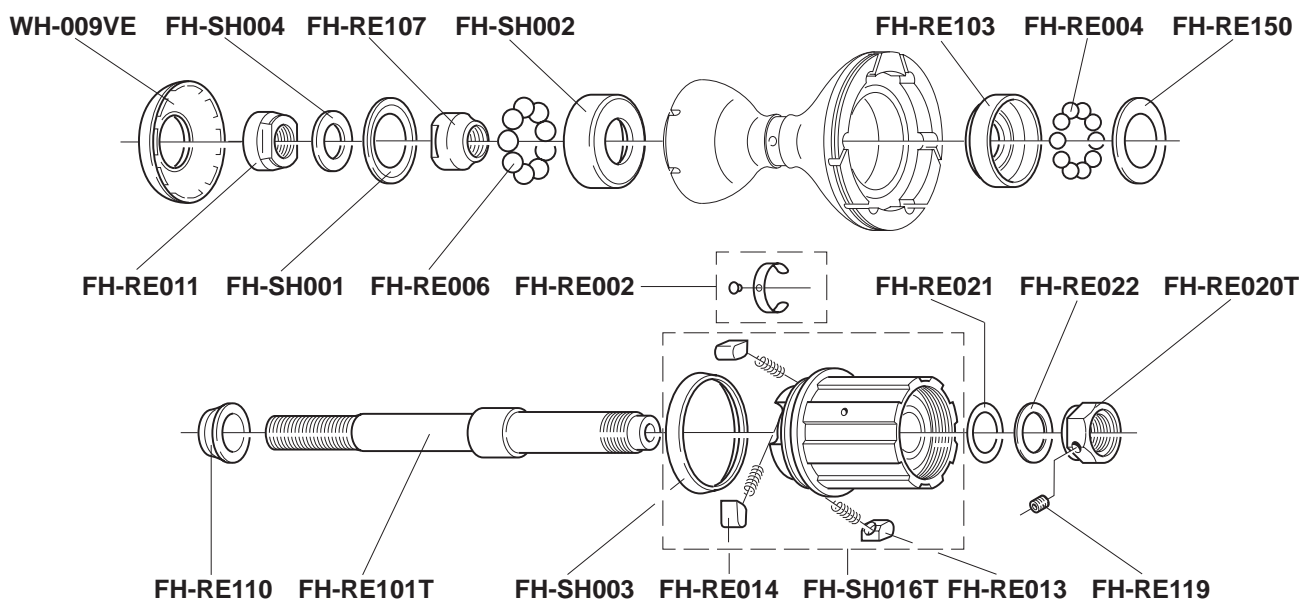
*Campagnolo*

# WHEELS SHAMAL 8-speed Titanium - REAR



COMPLETE WHEELS	A	KIT (B + C + D + E)
R-SH202T tubular 26"	WH-002SH	KIT-93SH
R-SH203T tubular 28"	WH-004SH	KIT-94SH
R-SH402T clincher 28"	WH-006SH	KIT-94SH

COMPLETE WHEELS	B right	B left
R-SH202T tubular 26"	L. 258 mm	L. 257 mm
R-SH203T tubular 28"	L. 283 mm	L. 282 mm
R-SH402T clincher 28"	L. 283 mm	L. 282 mm

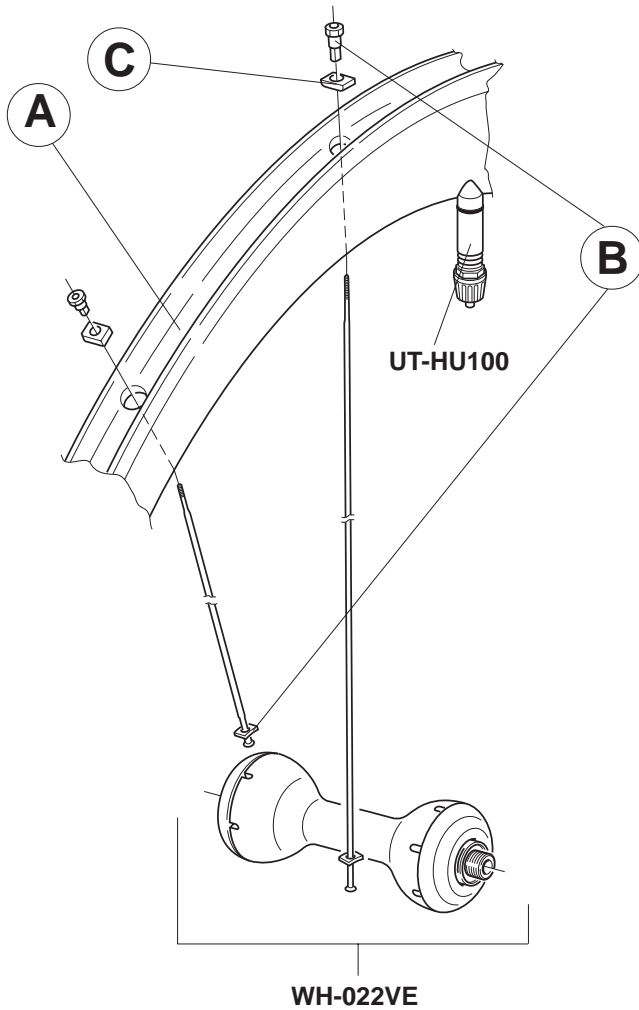


*Campagnolo*



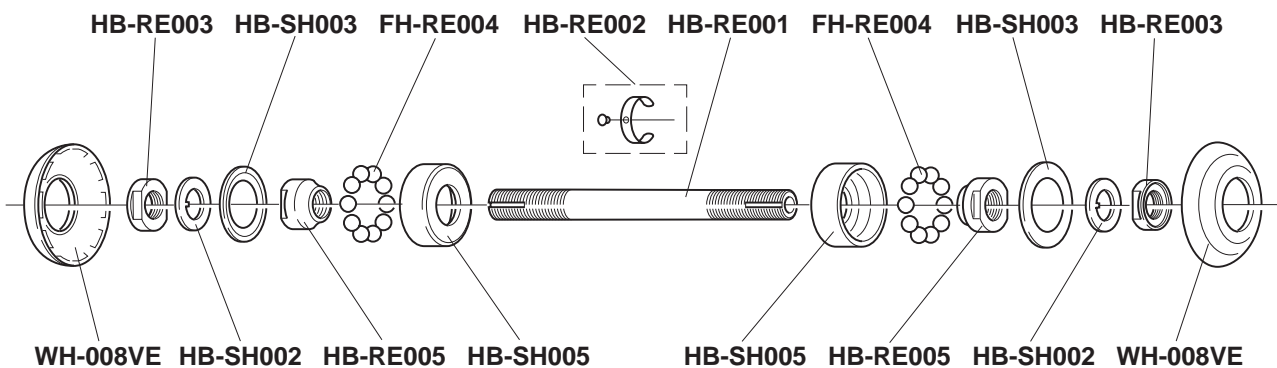


# WHEELS VENTO 9 Speed - FRONT



COMPLETE WHEELS	A	KIT (B + C)
R-VE306 clincher 26"	WH-001VE	KIT-91VE
R-VE307 clincher 28"	WH-002VE	KIT-92VE

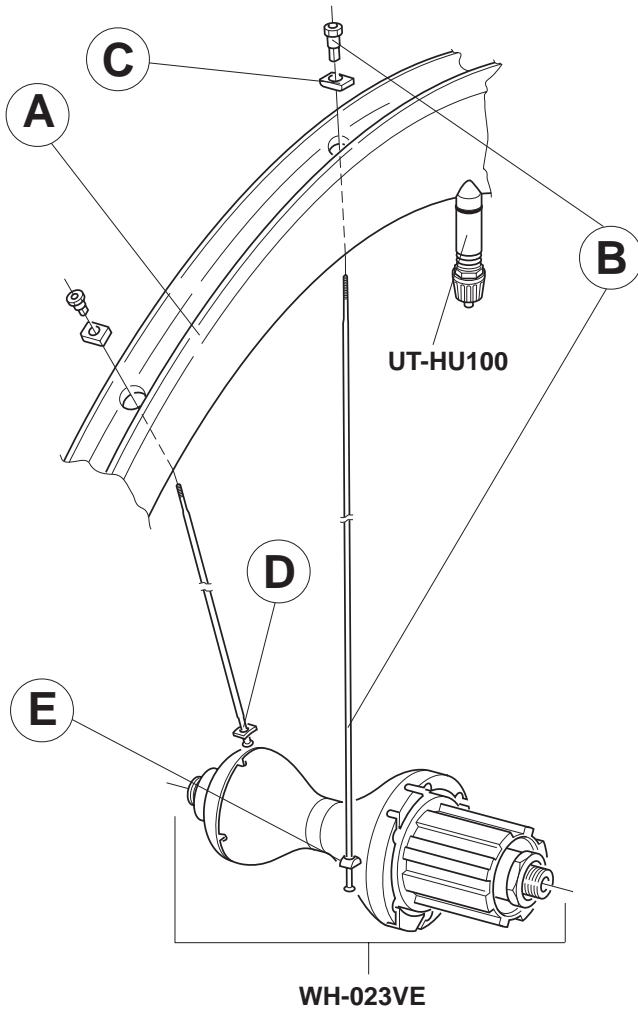
COMPLETE WHEELS	B
R-VE306 clincher 26"	L. 257 mm
R-VE307 clincher 28"	L. 282 mm



*Campagnolo*

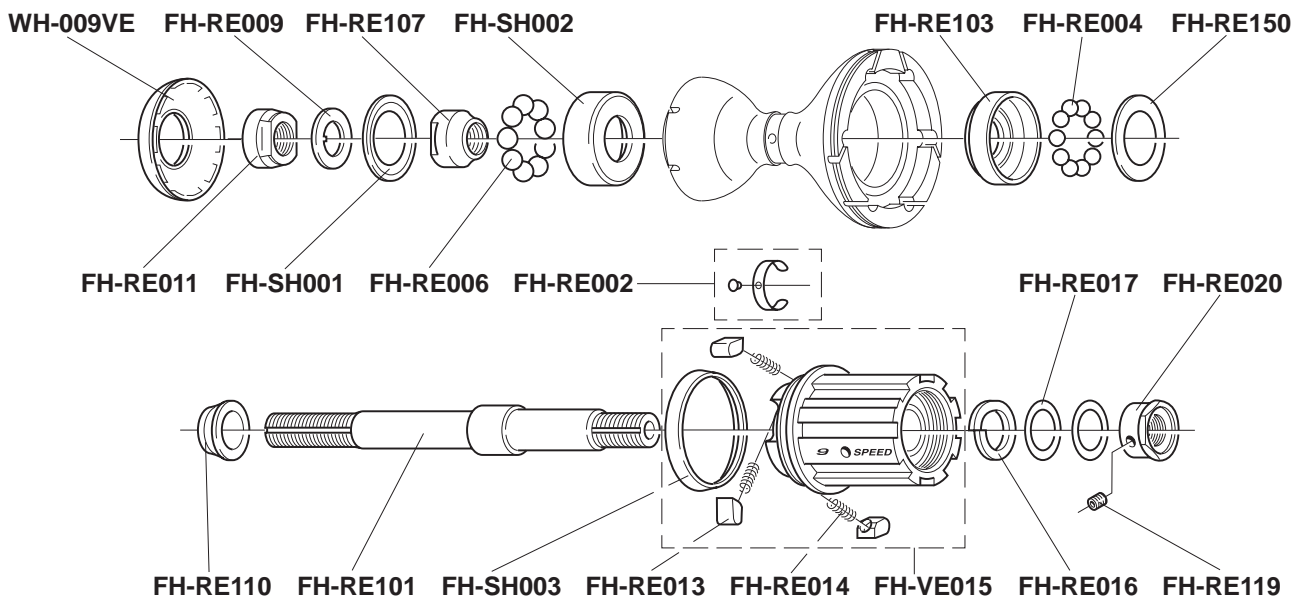
# WHEELS

## VENTO 9 Speed - REAR



COMPLETE WHEELS	A	KIT (B + C + D + E)
R-VE406 clincher 26"	WH-001VE	KIT-93VE
R-VE407 clincher 28"	WH-002VE	KIT-94VE

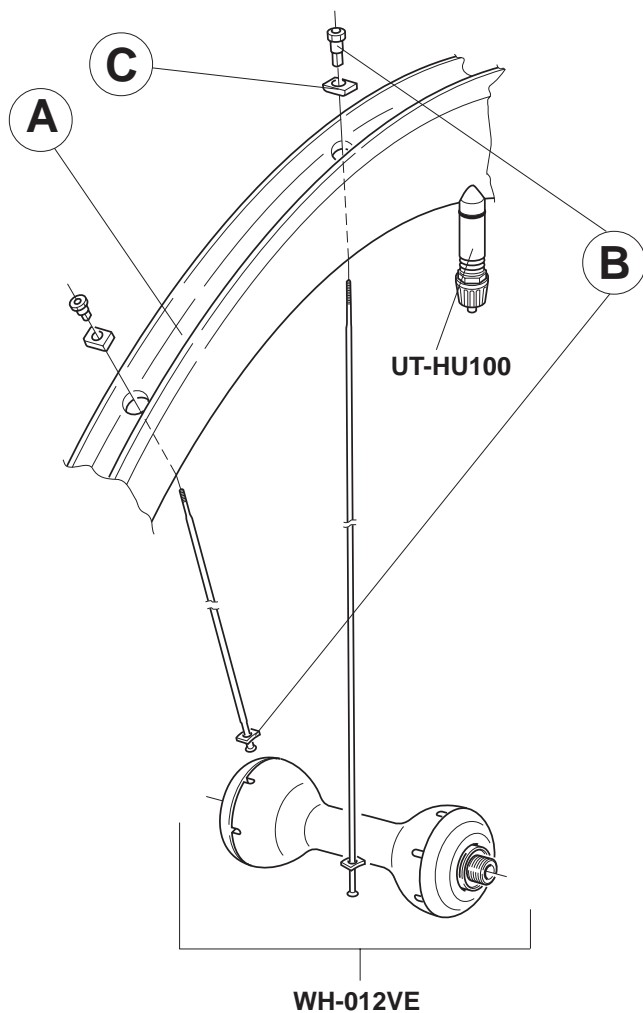
COMPLETE WHEELS	B right	B left
R-VE406 clincher 26"	L. 255 mm	L. 251 mm
R-VE407 clincher 28"	L. 282 mm	L. 278 mm



*Campagnolo*

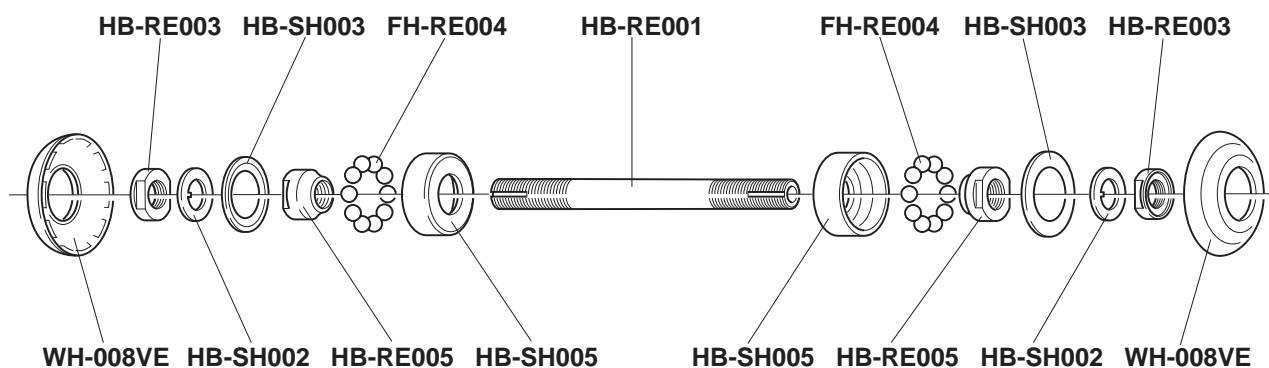


# WHEELS VENTO 8-speed - FRONT



COMPLETE WHEELS	A	KIT (B + C)
R-VE304 clincher 26"	WH-001VE	KIT-91VE
R-VE305 clincher 28"	WH-002VE	KIT-92VE

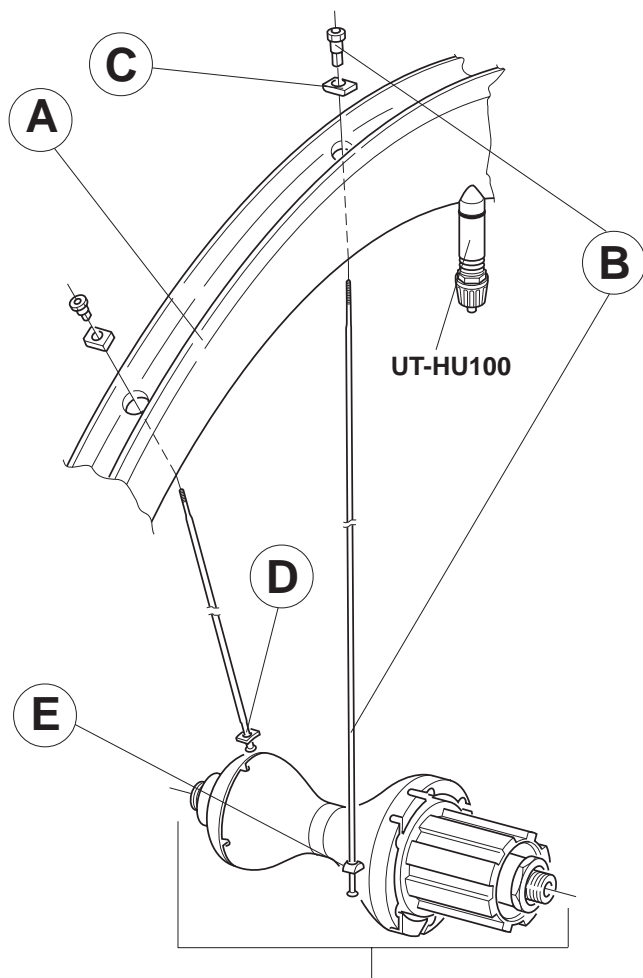
COMPLETE WHEELS	B
R-VE304 clincher 26"	L. 257 mm
R-VE305 clincher 28"	L. 282 mm



*Campagnolo*

# WHEELS

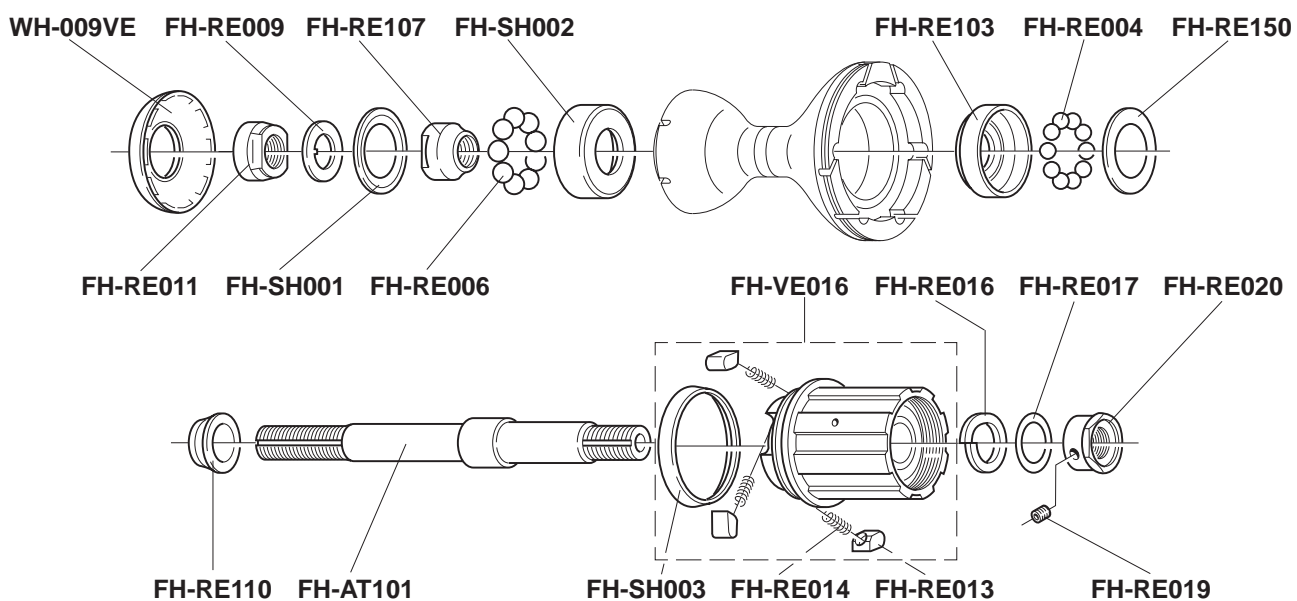
## VENTO 8-speed - REAR



COMPLETE WHEELS	A	KIT (B + C + D + E)
R-VE408 clincher 26"	WH-001VE	KIT-95VE
R-VE409 clincher 28"	WH-002VE	KIT-94VE

COMPLETE WHEELS	B right	B left
R-VE408 clincher 26"	L. 257 mm	L. 251 mm
R-VE409 clincher 28"	L. 282 mm	L. 278 mm

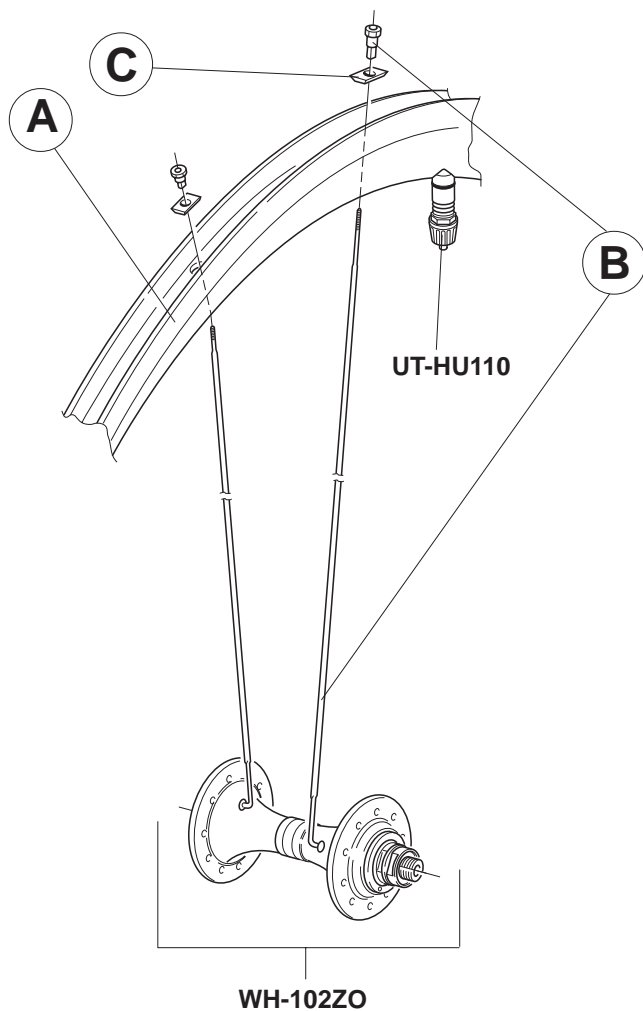
WH-013VE



*Campagnolo*

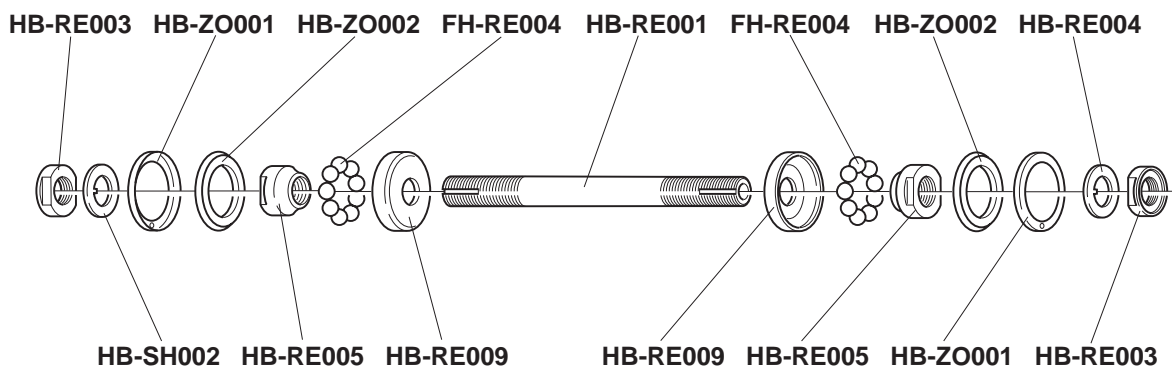


# WHEELS ZONDA 8-speed - FRONT



COMPLETE WHEEL	A	KIT (B + C)
R-ZO306 clincher 28"	WH-101ZO	KIT-81ZO

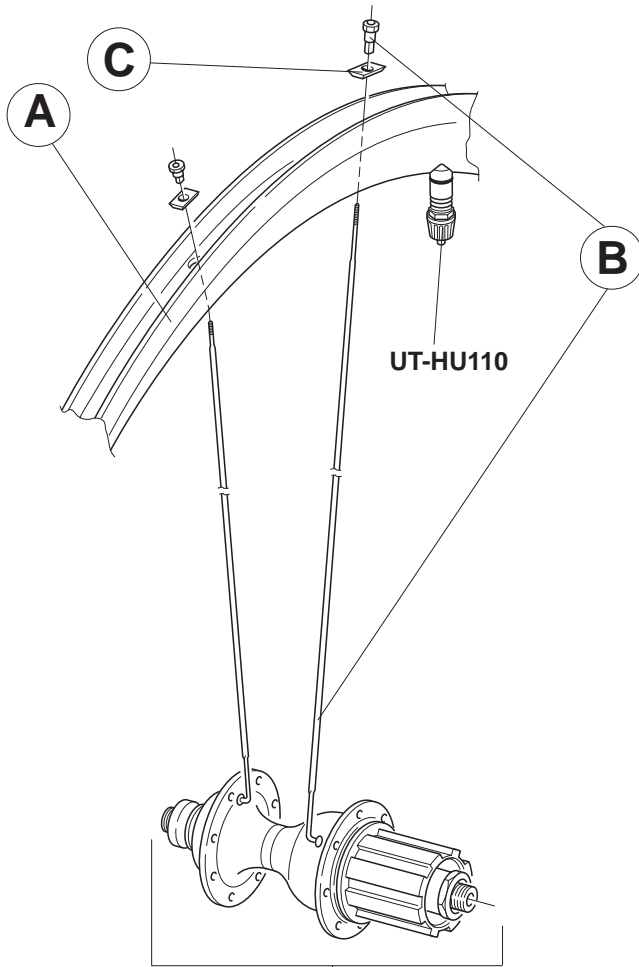
COMPLETE WHEEL	B
R-ZO306 clincher 28"	L. 279 mm



*Campagnolo*

# WHEELS

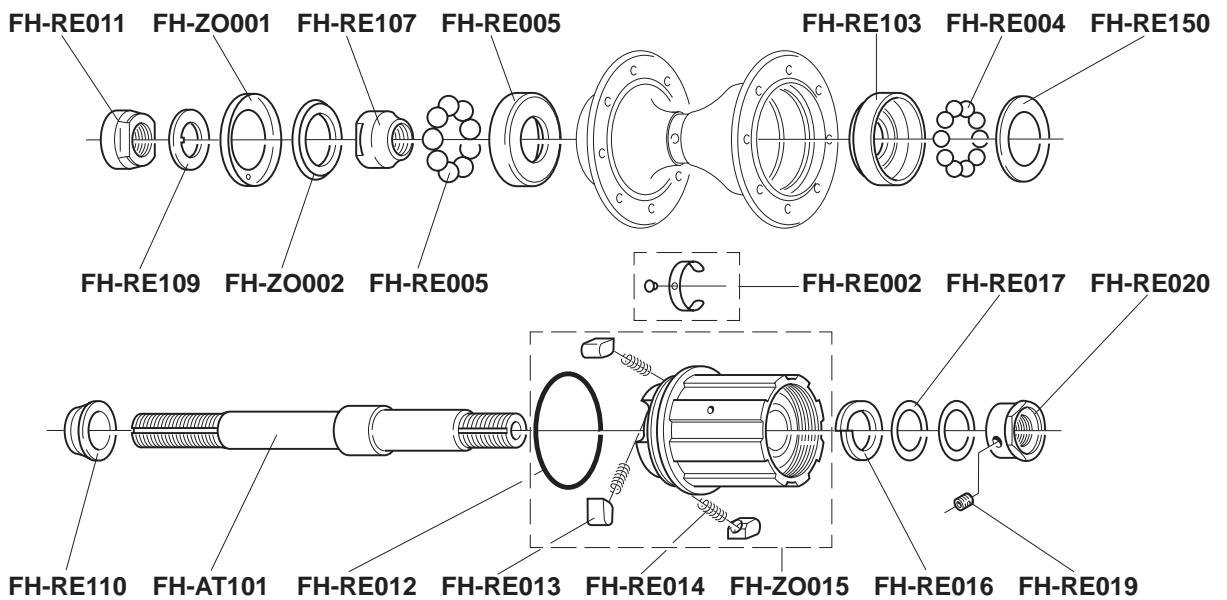
## ZONDA 8-speed - REAR



COMPLETE WHEEL	A	KIT (B + C)
R-ZO406 clincher 28"	WH-101ZO	KIT-82ZO

COMPLETE WHEEL	B right	B left
R-ZO406 clincher 28"	L. 281 mm	L. 277 mm

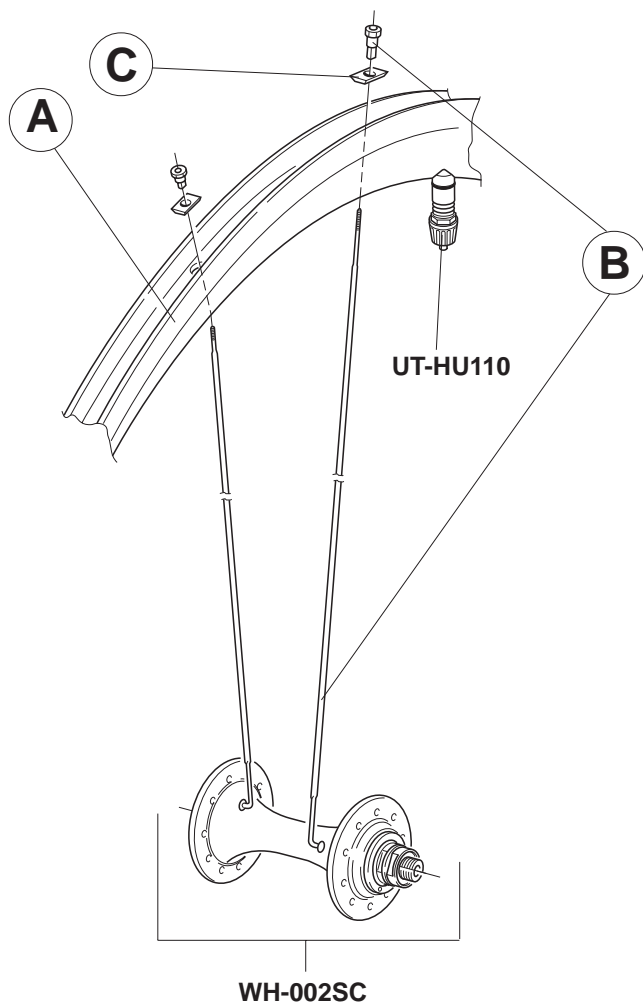
WH-103ZO



*Campagnolo*

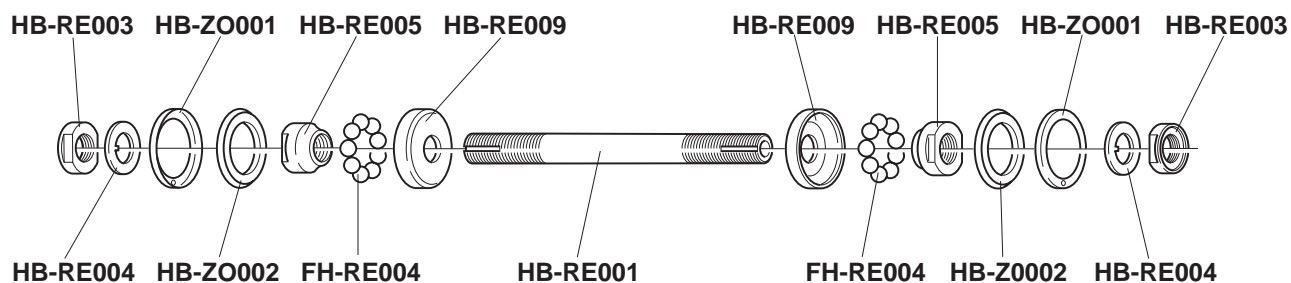


# WHEELS SCIROCCO 8-speed - FRONT



COMPLETE WHEEL	A	KIT (B + C)
R-SC308 clincher 28"	WH-001SC	KIT-81SC

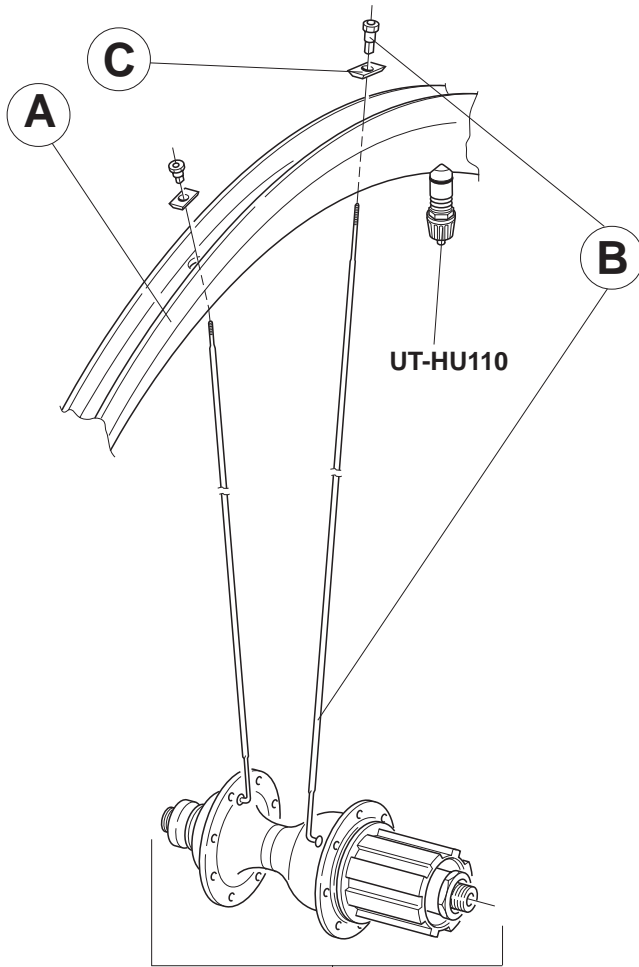
COMPLETE WHEEL	B
R-SC308 clincher 28"	L. 271 mm



*Campagnolo*

# WHEELS

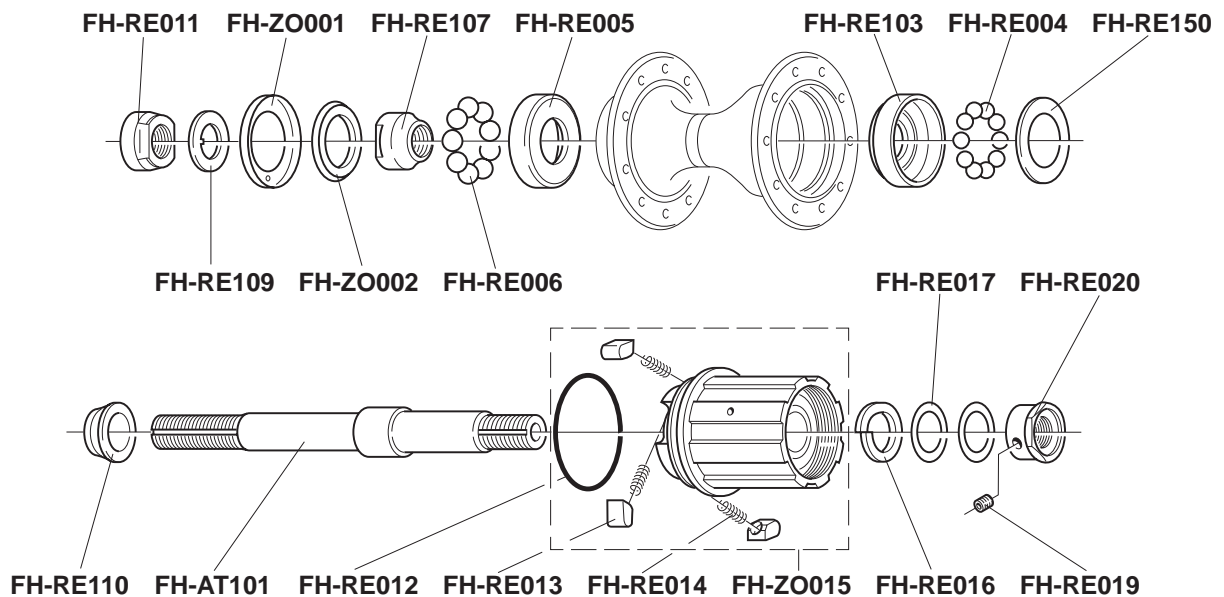
## SCIROCCO 8-speed - REAR



COMPLETE WHEEL	A	KIT (B + C)
R-SC408 clincher 28"	WH-001SC	KIT-82SC

COMPLETE WHEEL	B right	B left
R-SC408 clincher 28"	L. 269 mm	L. 271 mm

WH-003SC

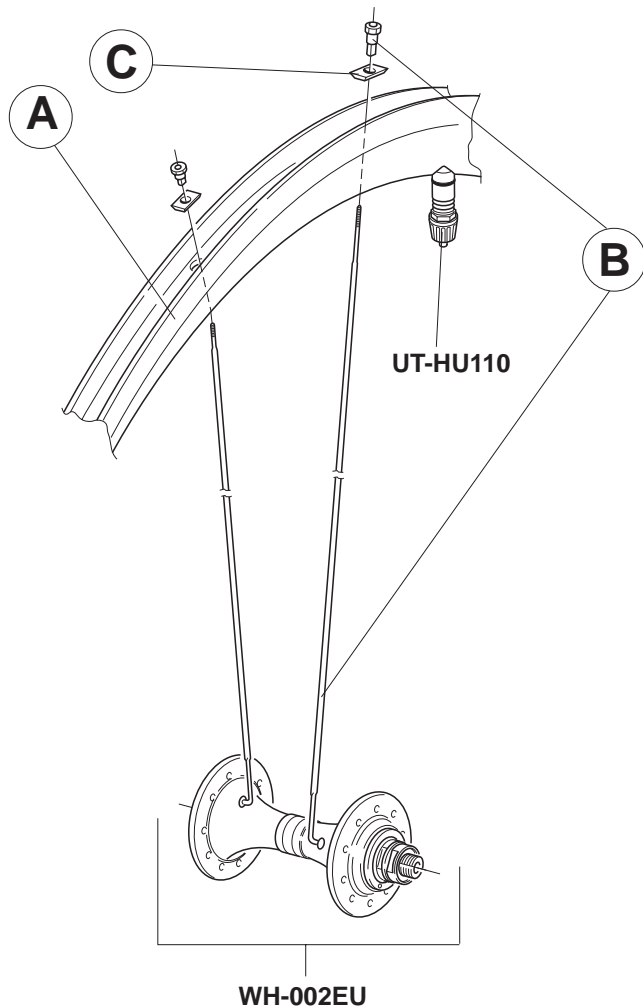


*Campagnolo*



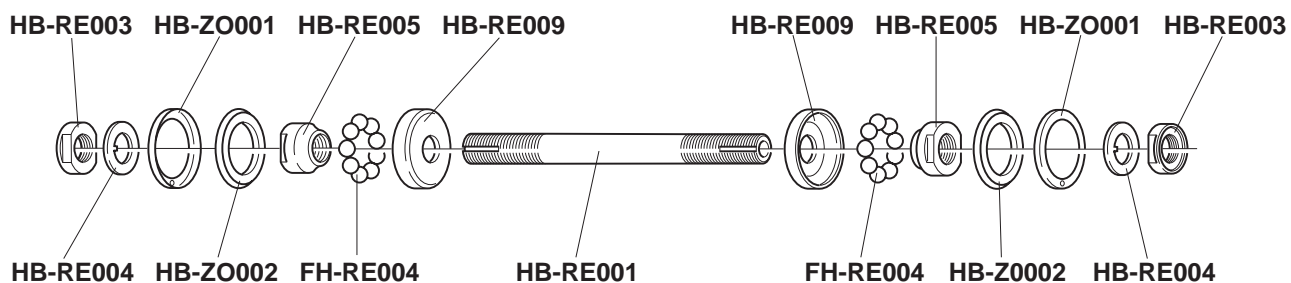


# WHEELS EURUS 8-speed - FRONT



COMPLETE WHEEL	A	KIT (B + C)
R-EU300 clincher 28"	WH-001EU	KIT-81EU

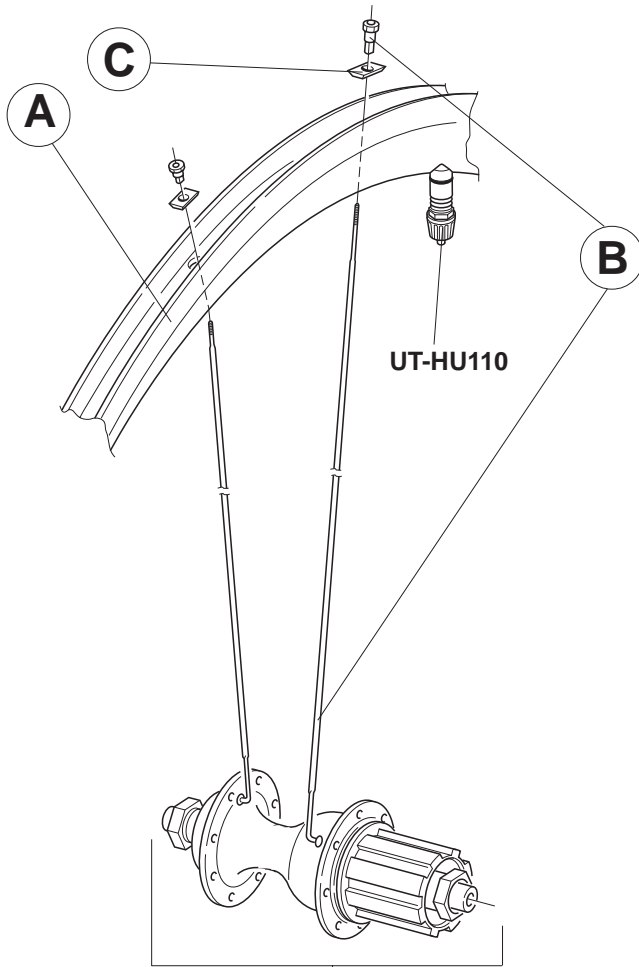
COMPLETE WHEEL	B
R-EU300 clincher 28"	L. 274 mm



*Campagnolo*

# WHEELS

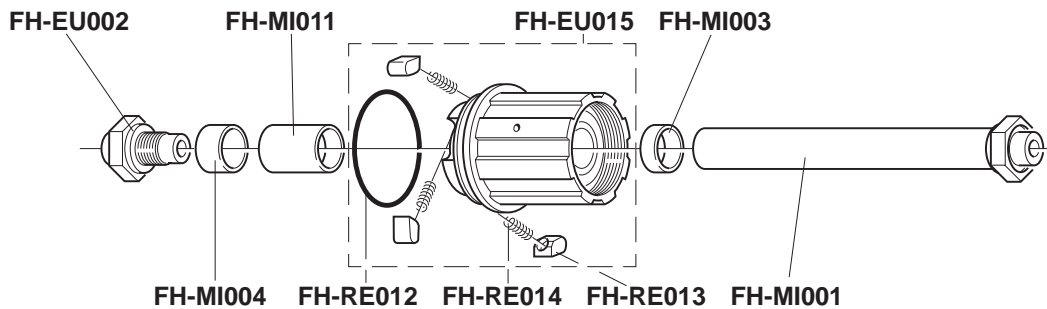
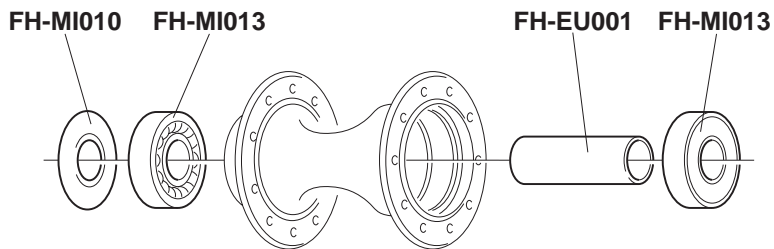
## EURUS 8-speed - REAR



COMPLETE WHEEL	A	KIT (B + C)
R-EU400 clincher 28"	WH-001EU	KIT-82EU

COMPLETE WHEEL	B right	B left
R-EU400 clincher 28"	L. 272 mm	L. 274 mm

WH-003EU



*Campagnolo*

