



**COMPATIBILITY TABLE
RIM - TIRE - PRESSURE**

COMPATIBILITY TABLE

The rim - tyre - pressure compatibility table is **only and exclusively** applicable to the following wheel models

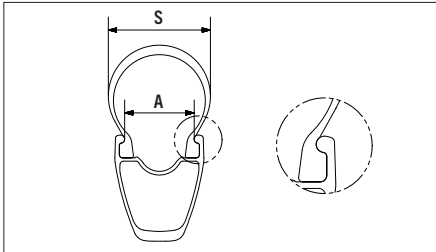
MODEL	BRAKE TYPE	PROFILE TYPE	INTERNAL WIDTH
BORA ULTRA WTO 80 DB	Disc brake	2-Way Fit	C21
BORA ULTRA WTO 60 DB	Disc brake	2-Way Fit	C19
BORA ULTRA WTO 45 DB	Disc brake	2-Way Fit	C19
BORA ULTRA WTO 33 DB	Disc brake	2-Way Fit	C21
BORA ULTRA WTO TT	Disc brake	2-Way Fit Ready	C19
BORA WTO 60 DB	Disc brake	2-Way Fit	C19
BORA WTO 45 DB	Disc brake	2-Way Fit	C19
BORA WTO 33 DB	Disc brake	2-Way Fit	C19
BORA WTO 60	Rim brake	2-Way Fit	C19
BORA WTO 45	Rim brake	2-Way Fit	C19
BORA WTO 33	Rim brake	2-Way Fit	C19
BORA WTO 77	Rim brake	2-Way Fit	C19
BORA ONE 50 DB	Disc brake	Clincher	C17
BORA ONE 35 DB	Disc brake	Clincher	C17
BORA ULTRA 50	Rim brake	Clincher	C17
BORA ULTRA 35	Rim brake	Clincher	C17
BORA ONE 50	Rim brake	Clincher	C17
BORA ONE 35	Rim brake	Clincher	C17
SHAMAL CARBON	Disc brake	2-Way Fit	C21
LEVANTE	Disc brake	2-Way Fit	C25
ZONDA DB	Disc brake	Clincher	C17
SCIROCCO DB	Disc brake	2-Way Fit Ready	C19
SCIROCCO	Rim brake	Clincher	C17
KHAMSIN	Rim brake	Clincher	C17
CALIMA	Rim brake	Clincher	C17

As such, the rim-tyre-pressure compatibility table is not applicable to wheel models no longer present in the current 2021 / 2022 range or to wheel models currently in the range that appear in the following table:

MODEL	BRAKE TYPE	PROFILE TYPE	INTERNAL WIDTH
SHAMAL ULTRA DB	Disc brake	2-Way Fit	C17
SHAMAL MILLE	Rim brake	Clincher	C17
SHAMAL ULTRA	Rim brake	2-Way Fit	C17
SHAMAL ULTRA	Rim brake	Clincher	C17
ZONDA	Rim brake	Clincher	C17

It shall be the end user's sole and full responsibility to choose - on a case by case basis - an adequate and correct rim-tire-pressure combination, as well as to conduct all verifications necessary to ascertain the correctness and safety of such combination. Without prejudice to the above, and in order to ensure optimum rolling resistance, grip and, most importantly, safety, we recommend that the end user, in making his choice, also takes into consideration the recommended combinations of hooked rim width, tire width and tire pressure indicated in the chart set forth below.

Due to safety reasons, follow the information of the tire manufacturer regarding minimum and maximum rim width to be used but always ensure that the combination is listed as possible in this table.

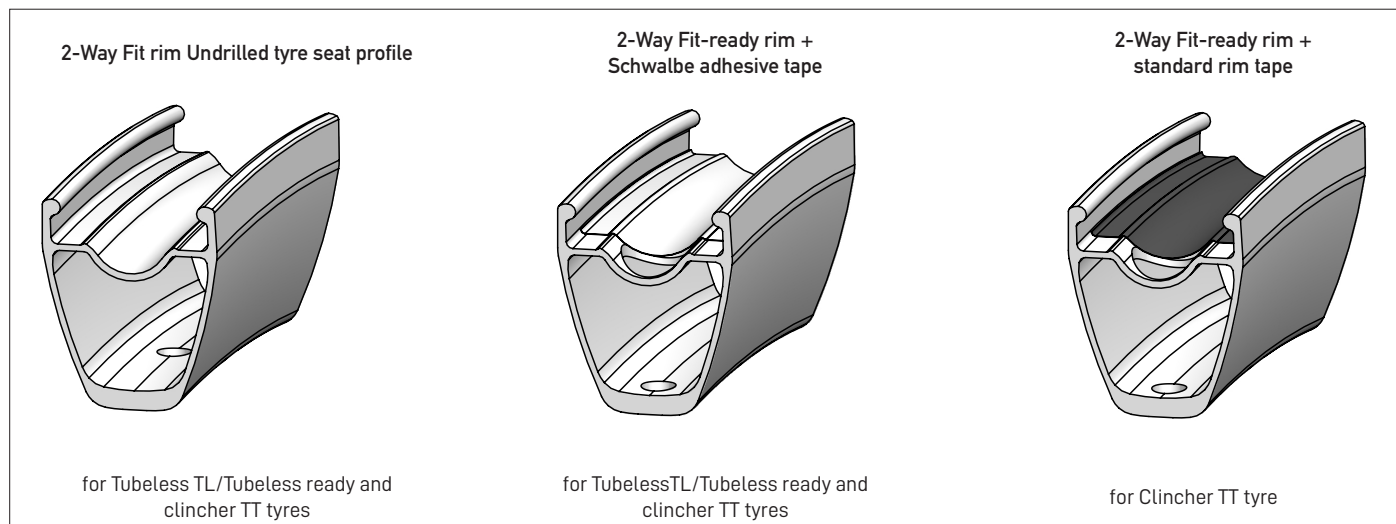


For tire width "S" refer to tire labelling (ex. 25-622)

For width of rim "A" refer to the rim labels (e.g. 622x19) and check internal measurement "A" directly in the rim.

COMPATIBILITY TABLE RIM - TIRE - PRESSURE																
TIRE WIDTH "S"		INTERNAL RIM WIDTH "A" - HOOKED TYPE													MAX. TYRE PRESSURE (bar)	
mm	inch.	13	14	15	16	17	18	19	20	21	22	23	24	25	Clincher TT	Tubeless TL
20	0,80														9,5	-
23	0,90														9	7,5
25	1,00														8,5	7
28	1,10														7,8	6,3
30	1,20														7,2	5,8
32	1,25														6,8	5,3
34	1,35														6	4,7
36	1,40														5,7	4,4
38	1,50														5,5	4,1
41	1,60														5,2	3,9
43	1,70														5	3,7
47	1,85														4,7	3,5
50	1,95														4,4	3,3
52	2,05														4,1	3,1
53	2,10														3,8	3
56	2,20														3,5	2,8
60	2,35														3,2	2,6
64	2,50														2,9	2,4
66	2,60														2,7	2,2
69	2,70														2,5	2
71	2,80														2,2	1,9
74	2,90														2,1	1,8
76	3,00														2	1,7

Use of tubeless and tubeless ready tyres is forbidden on 2-way Fit Ready rims without official Campagnolo 2-way Fit Ready adhesive tape.



Legenda:
TL = Tube Less
TT = Tube Type