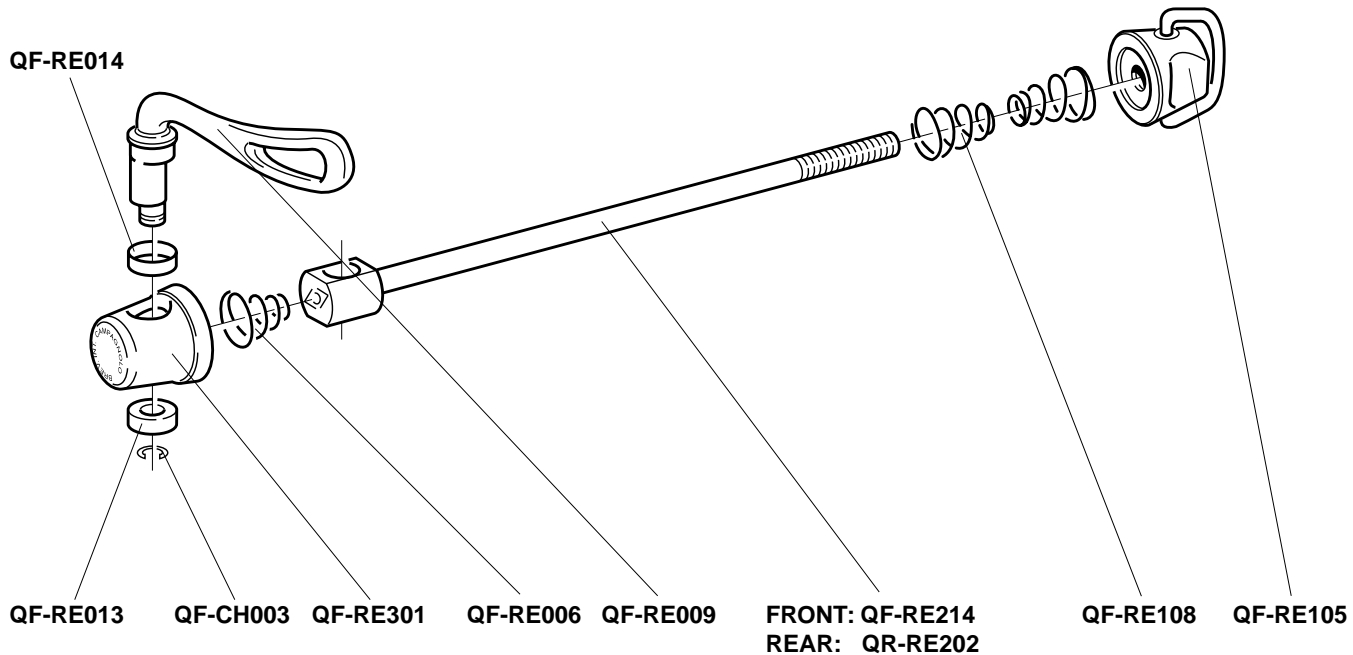
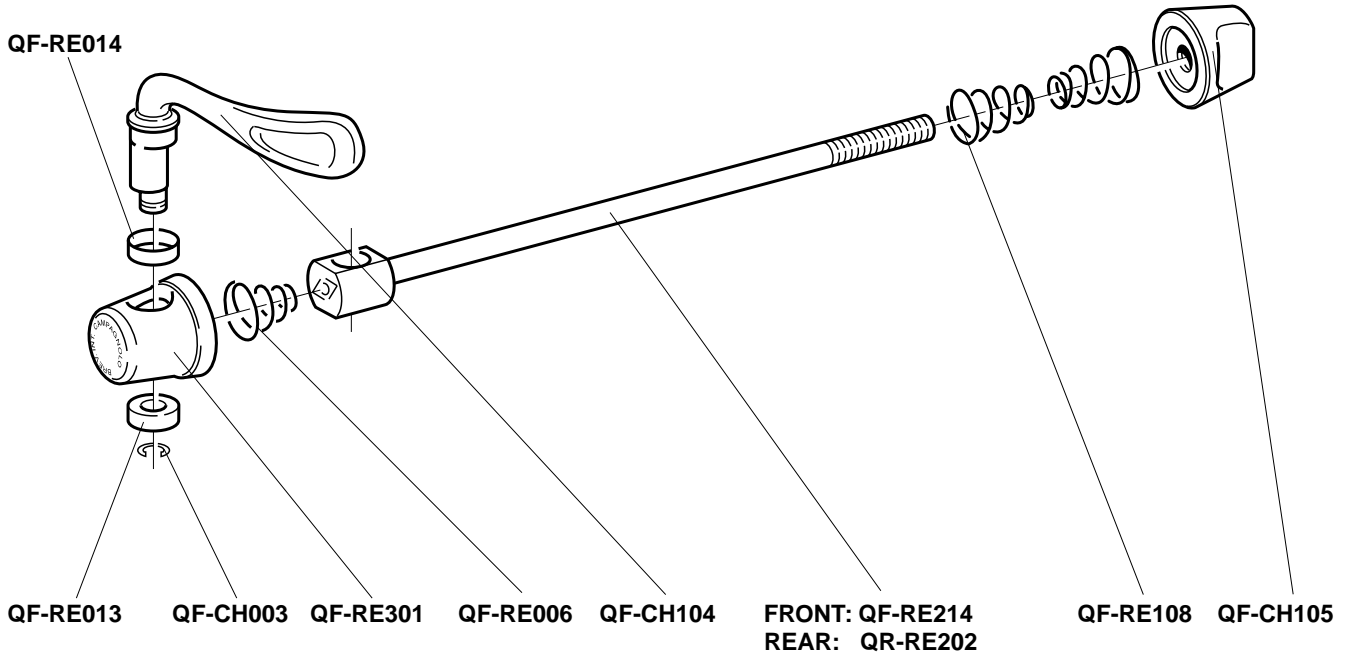


**RECORD
BORA
SHAMAL
ELECTRON**
front: QF-RE121
rear: QR-RE121



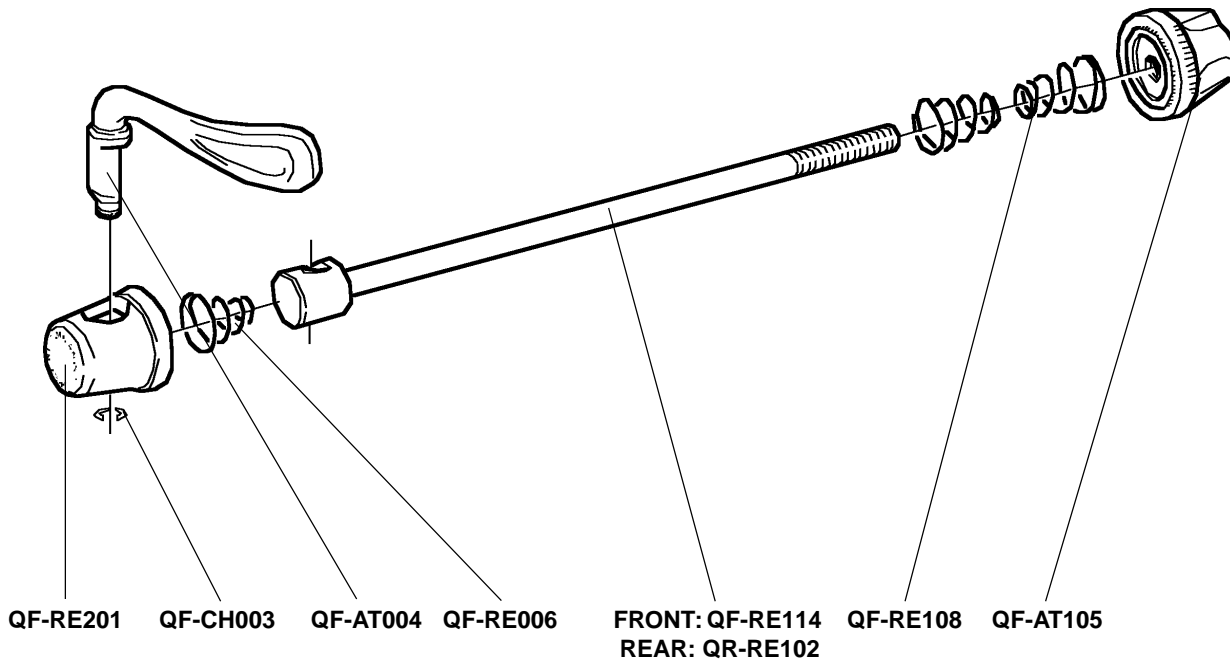
**CHORUS
VENTO
PROTON**

front: QF-CH111
rear: QR-CH111



**ATHENA
ZONDA**

front: QF-AT101
rear: QR-AT101

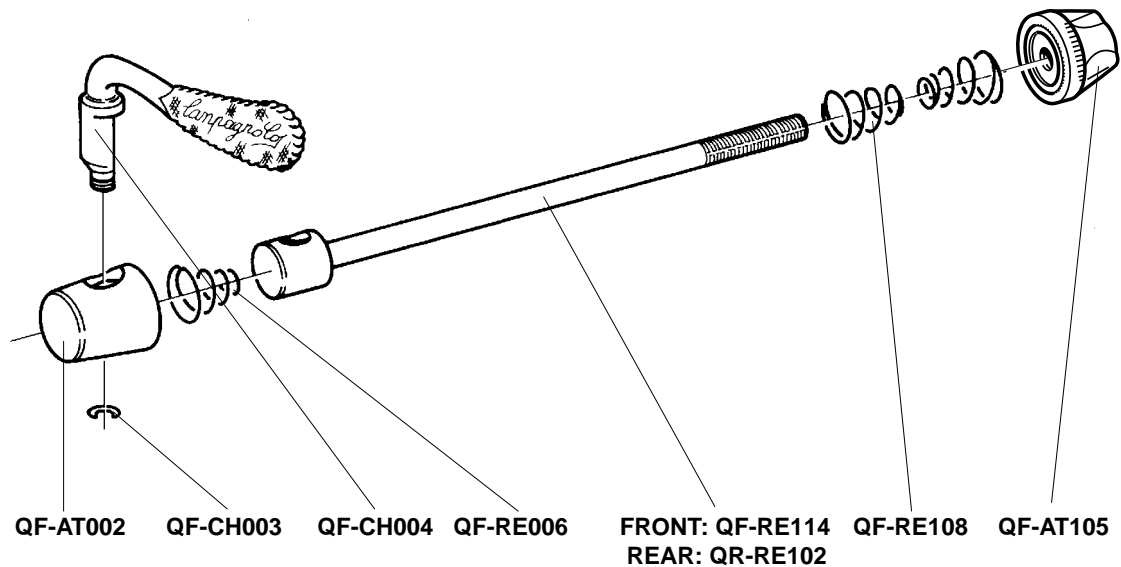


VELOCE

SCIROCCO

front: QF-VL201

rear: QR-VL201



**MIRAGE
EURUS**

front: QF-VL001

rear: QR-VL001

AVANTI

front: QF-MI001

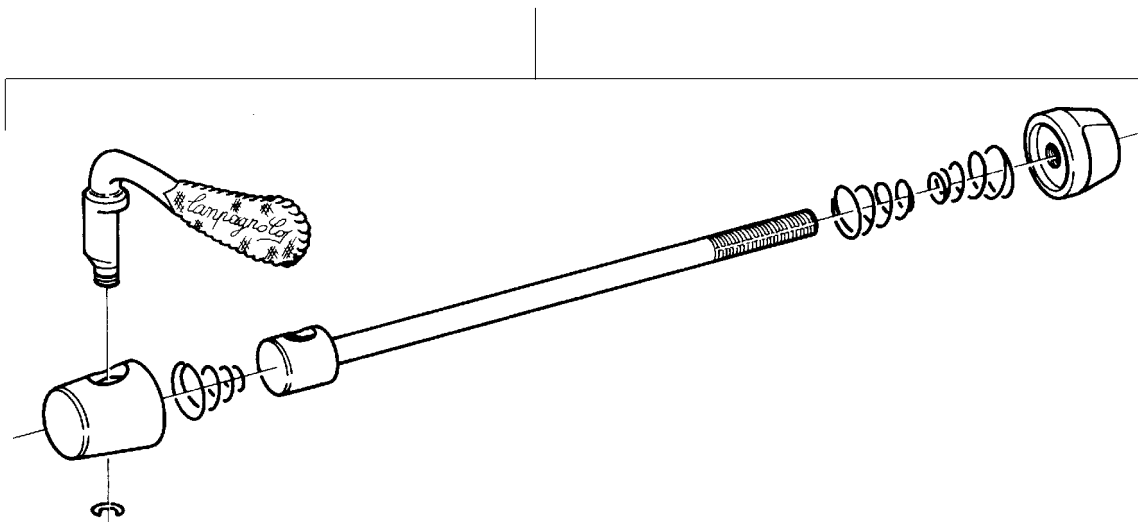
rear: QR-MI001

MIRAGE: FRONT: QF-VL001

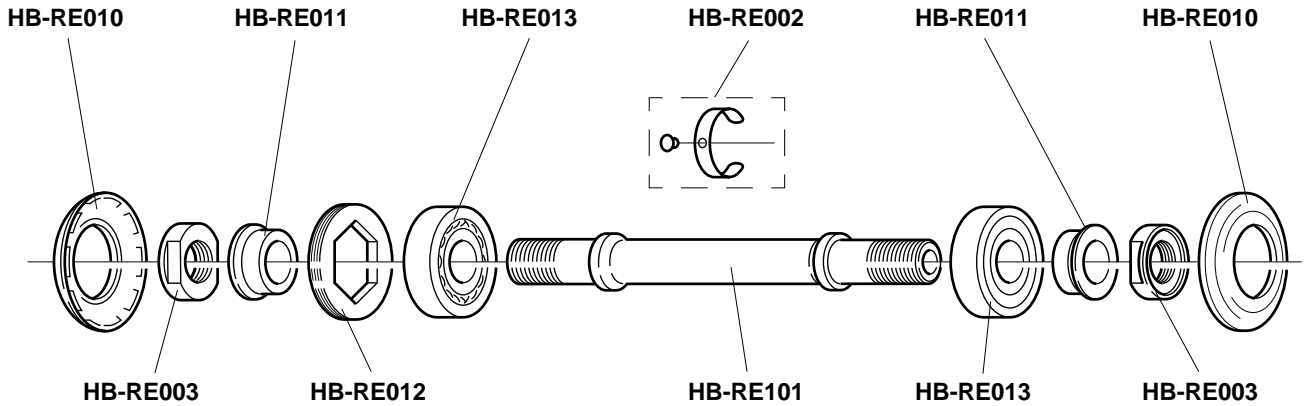
AVANTI: FRONT: QF-MI001

REAR: QR-VL001

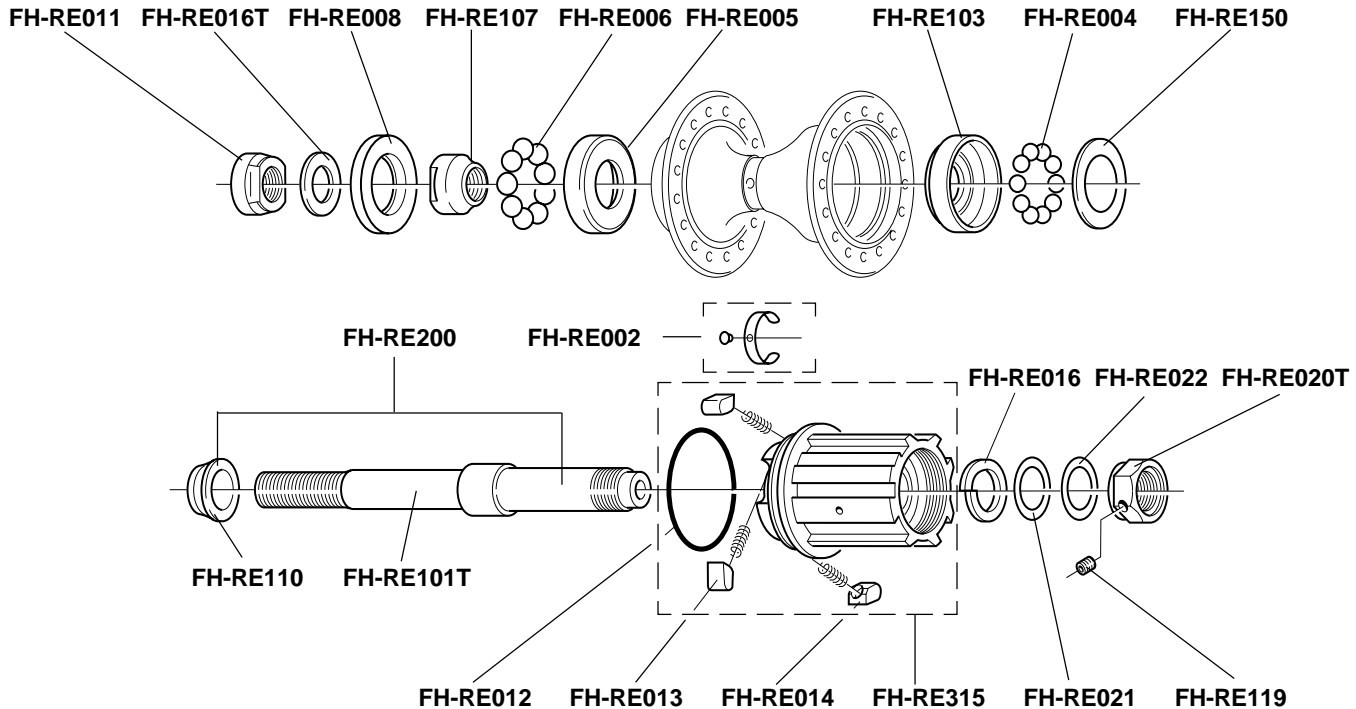
REAR: QR-MI001



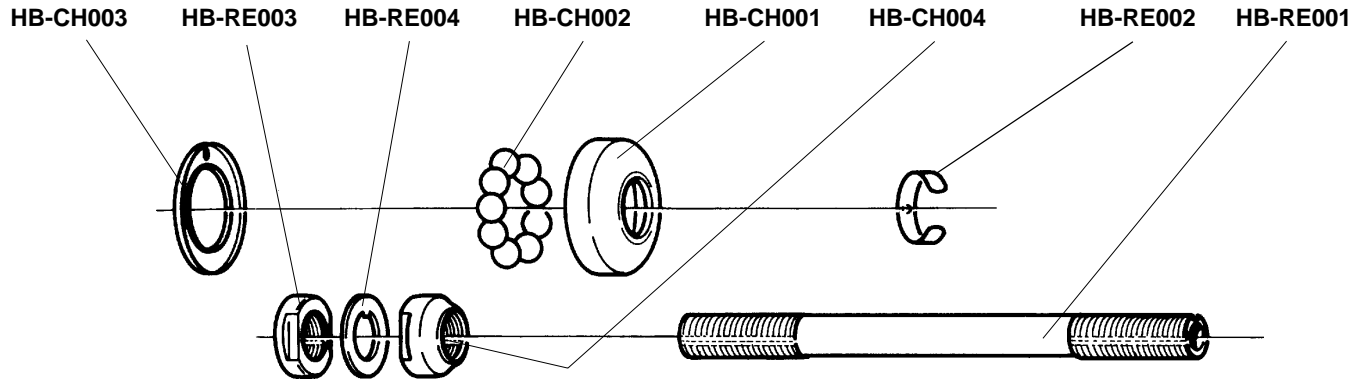
RECORD
HB-30RE



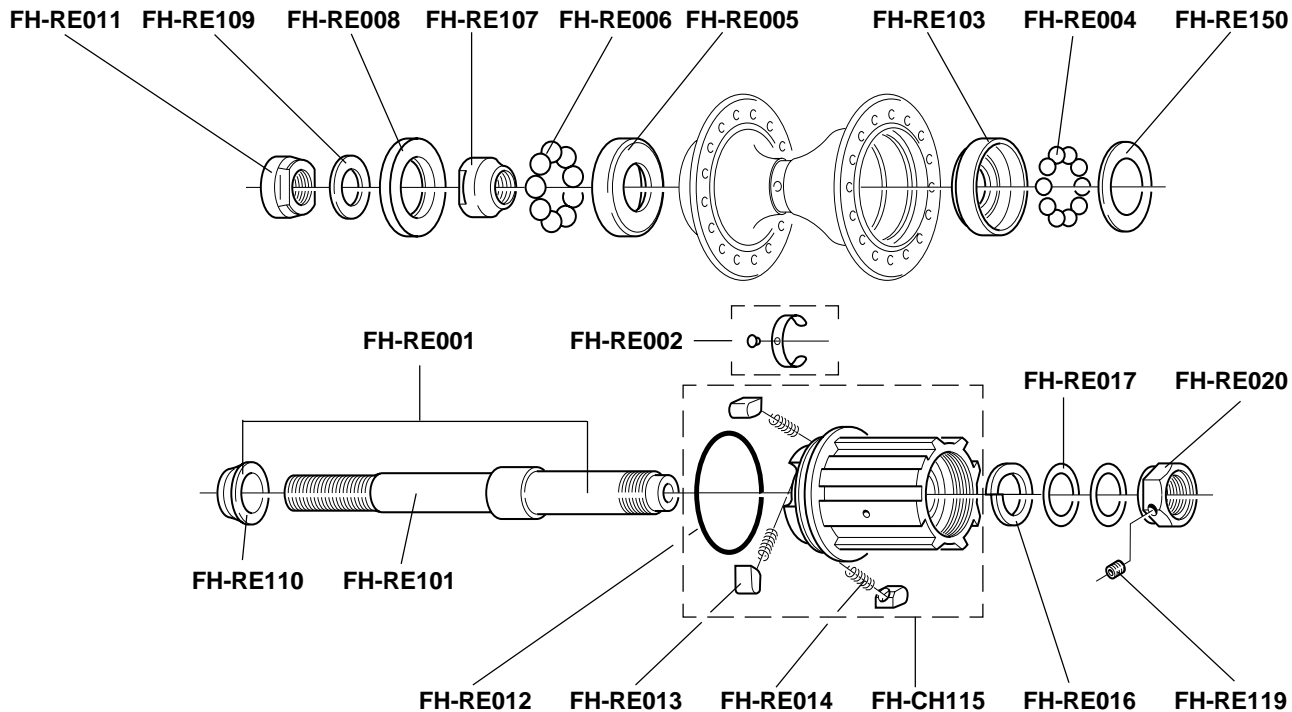
**RECORD
9 SPEED
FH-19RE**



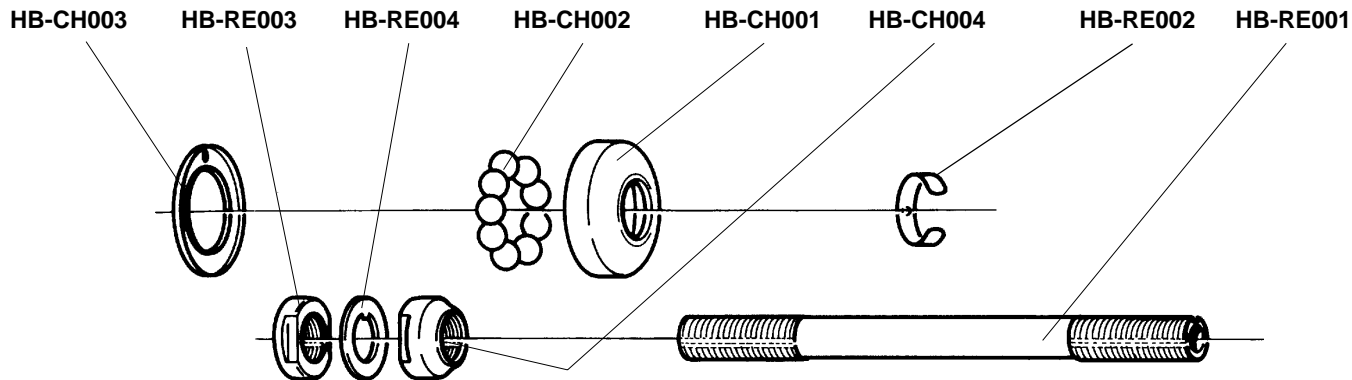
CHORUS
HB-20CH



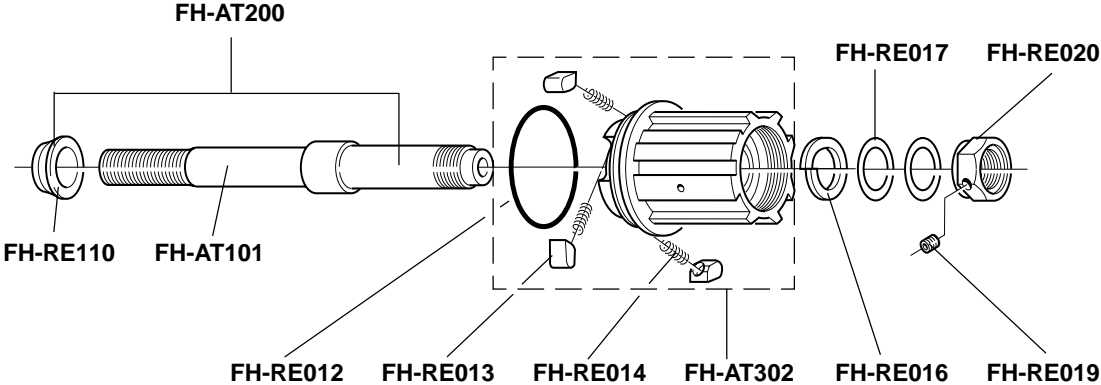
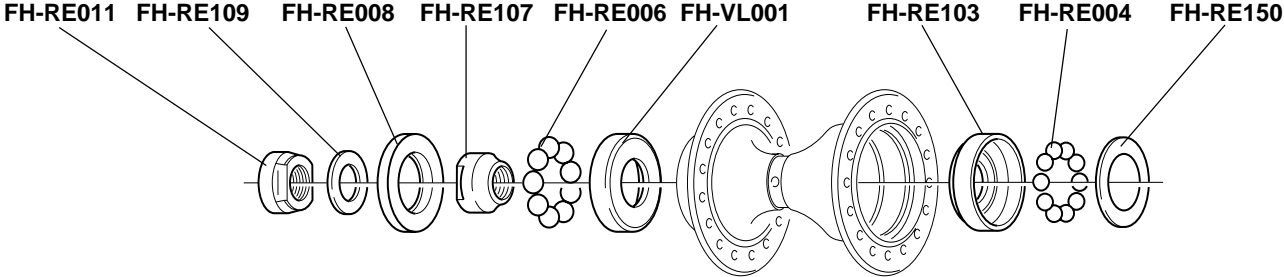
**CHORUS
9 SPEED
FH-19CH**



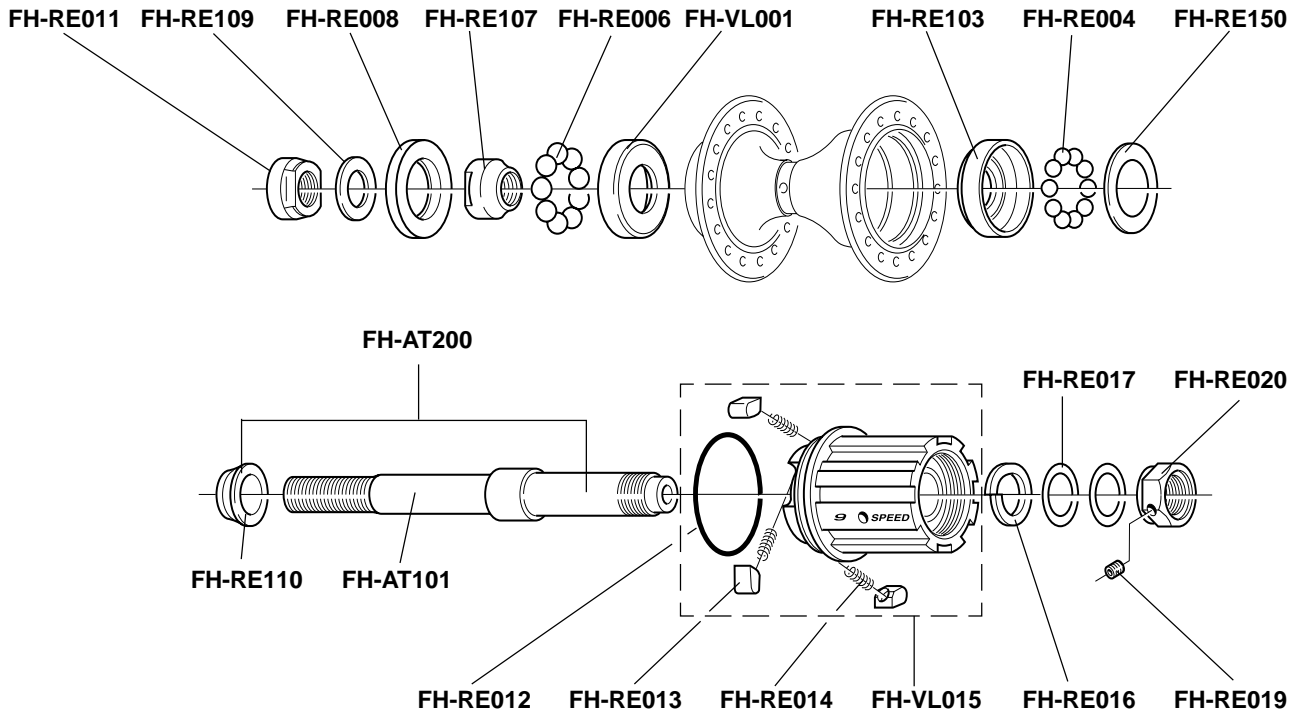
ATHENA
HB-50AT
VELOCE
HB-40VL



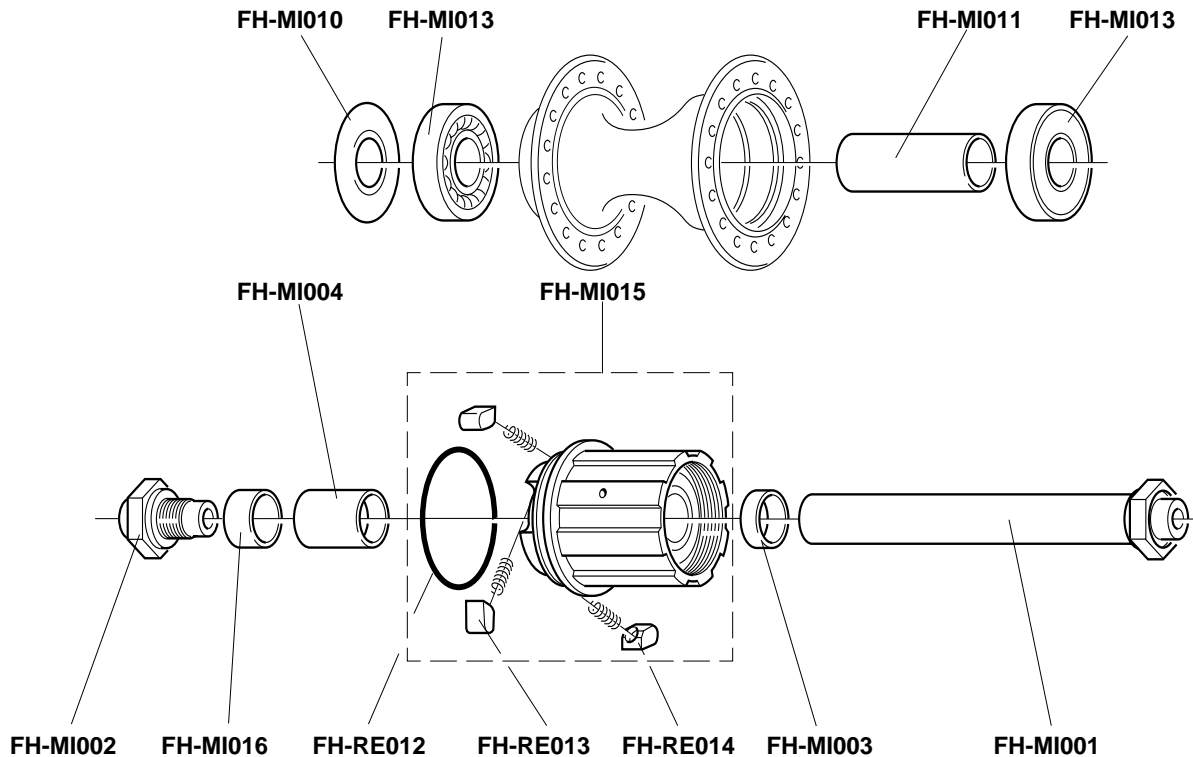
**ATHENA
9 SPEED
FH-09AT**



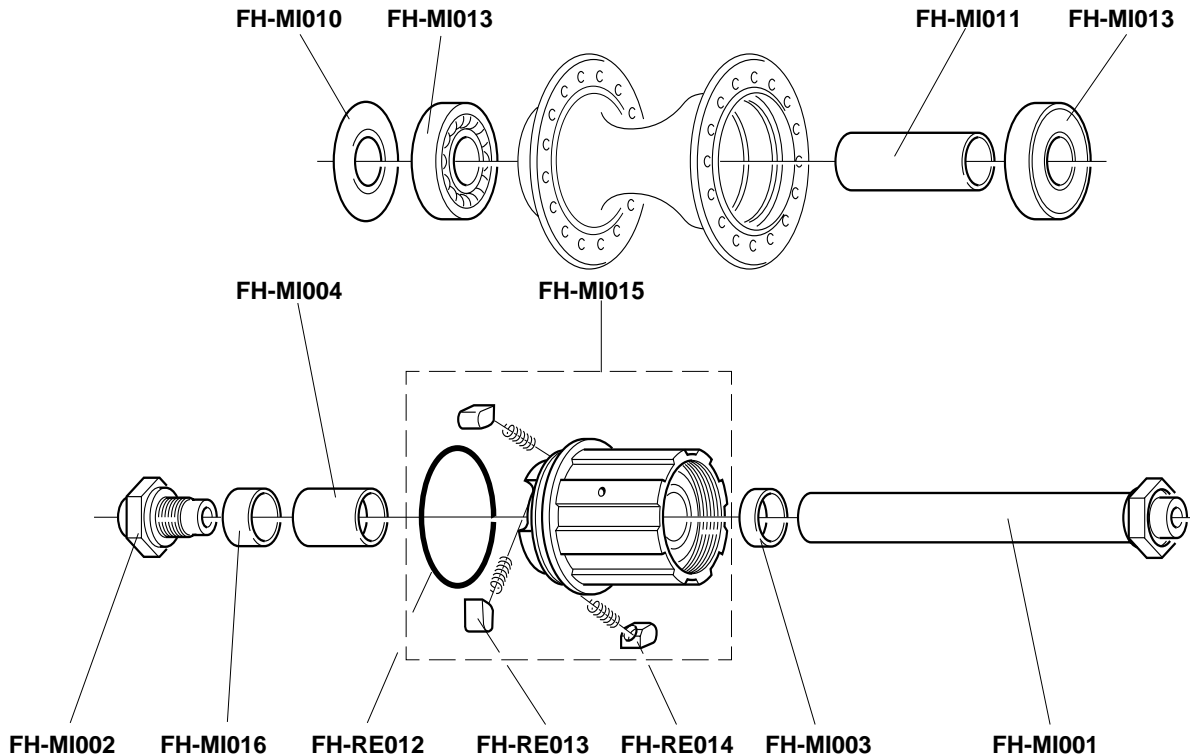
**VELOCE
9 SPEED
FH-09VL**



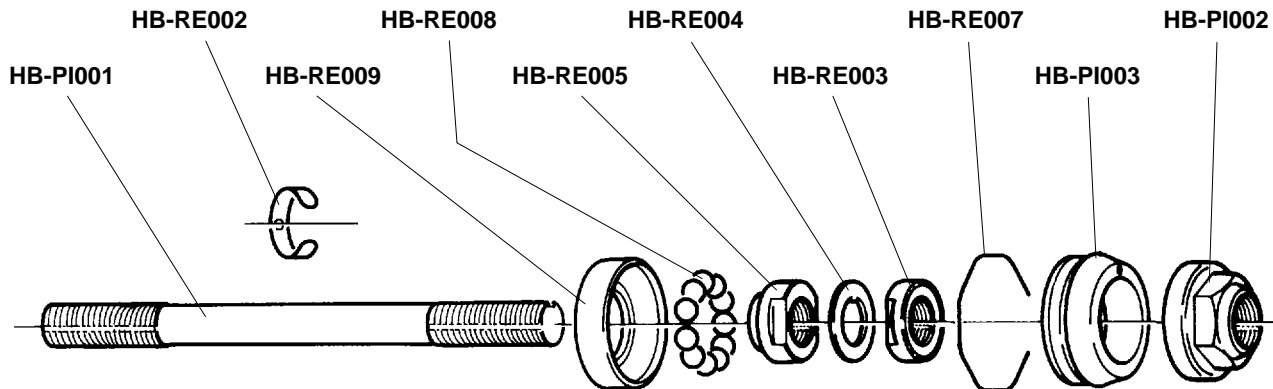
MIRAGE
FH-20MI



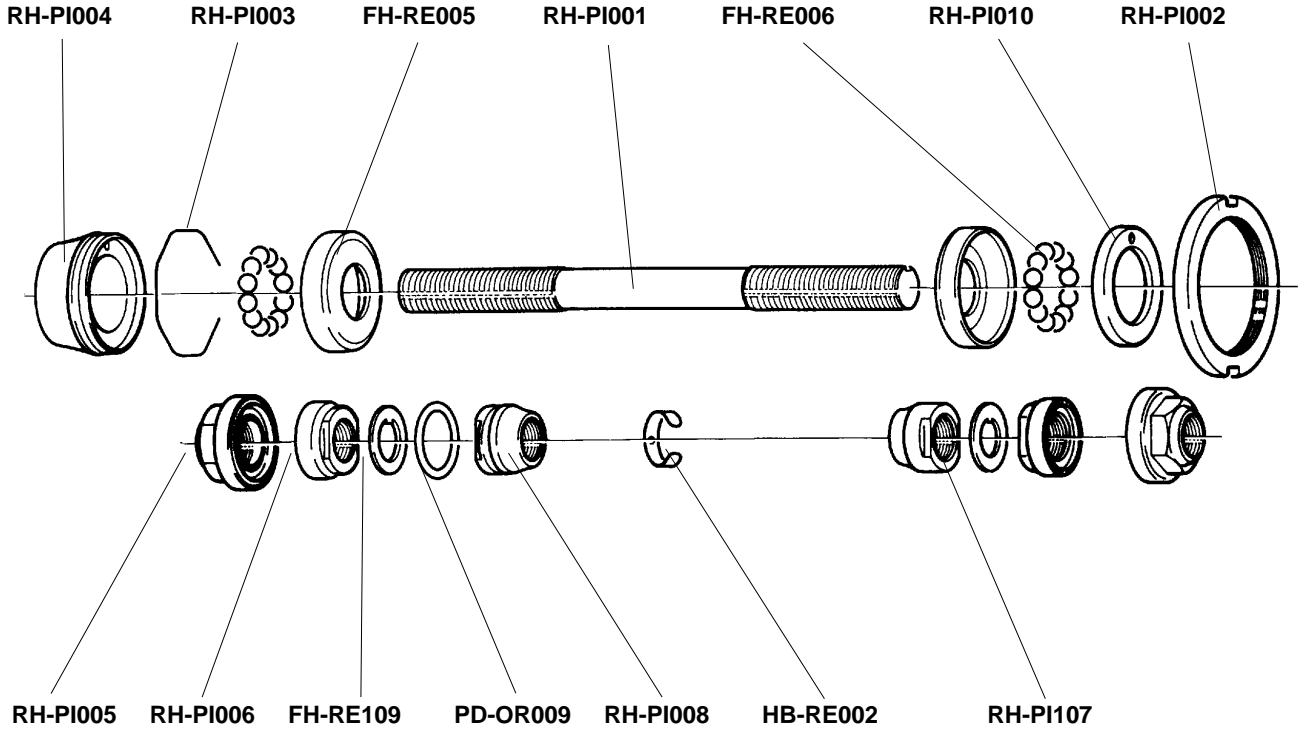
**AVANTI
FH-20AV**



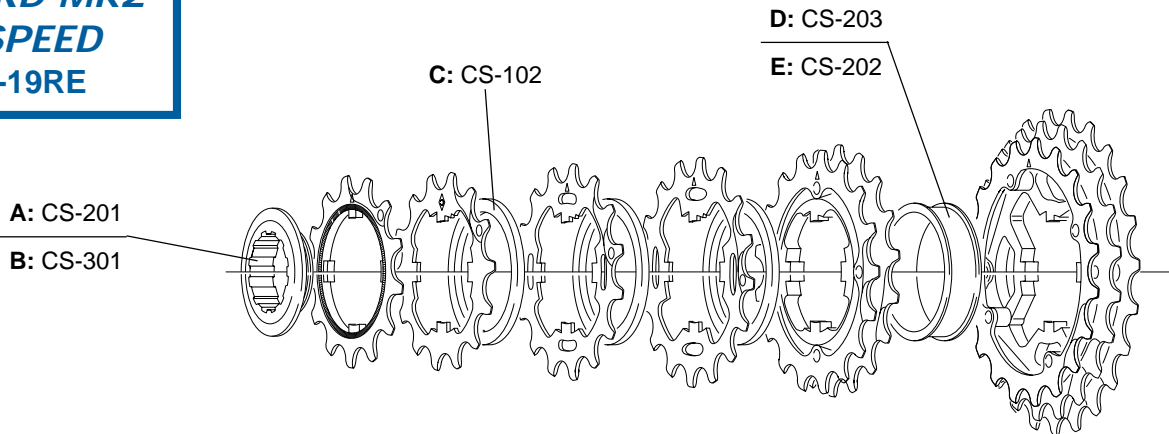
RECORD PISTA
HB-00PI



RECORD PISTA
RH-10PI



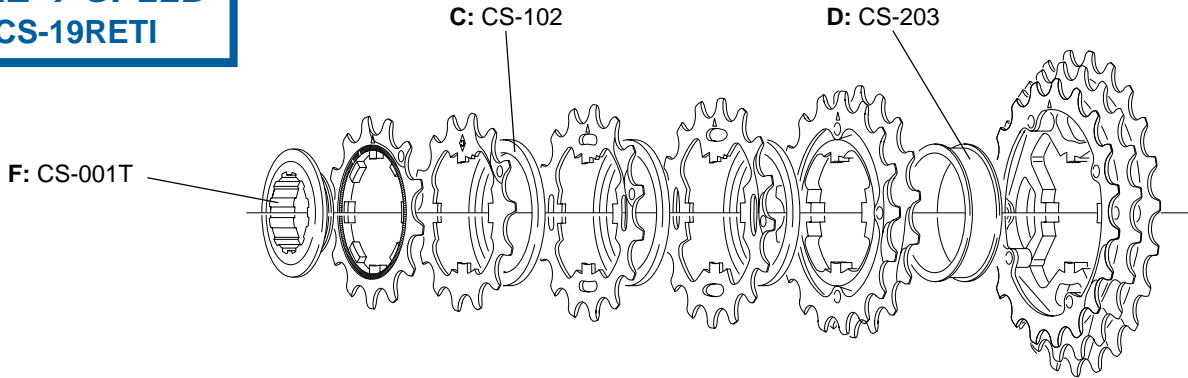
RECORD MK2
9 SPEED
CS-19RE



11 - 21	B	11A-1° 9S-011	12A 9S-113	C	13A 9S-131	C	14A 9S-141	C	15A 9S-151	C	16A-17A* 9S-670	E	19A-21A* 9S-91AT
11 - 23	B	11B-1° 9S-012	12B 9S-122	C	13B 9S-132	C	14B 9S-142	C	15B 9S-152	C	17B-19A* 9S-79B	E	21A-23A* 9S-130T
12 - 21	A	12A-1° 9S-113	13A 9S-131	C	14A 9S-141	C	15A 9S-151	C	16A-17A-18C* 9S-678	D	19C-21C* 9S-91CT		
12 - 23	A	12A-1° 9S-113	13A 9S-131	C	14A 9S-141	C	15A 9S-151	C	16A-17A* 9S-670	D	19A-21A-23A* 9S-913AT		
13 - 23	A	13A-1° 9S-114	14A 9S-141	C	15A 9S-151	C	16A 9S-161	C	17A-18C* 9S-780	D	19C-21C-23C* 9S-913CT		
13 - 26	A	13A-1° 9S-114	14A 9S-141	C	15A 9S-151	C	16A 9S-161	C	17A-19A* 9S-79A	D	21A-23A-26A* 9S-136T		

* pre-assembled

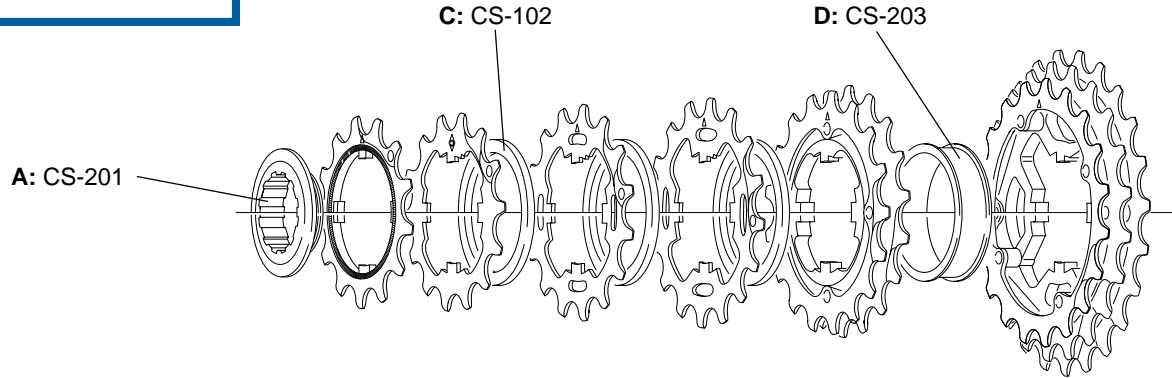
**RECORD
TITANIUM
MK2 9 SPEED
CS-19RETI**



12 - 21	F	12A-1°	13A	C	14A	C	15A	C	16A-17A-18C*	D	19C-21C*
		9S-012T	9S-131T		9S-141T		9S-151T		9S-678T		9S-91CT
12 - 23	F	12A-1°	13A	C	14A	C	15A	C	16A-17A*	D	19A-21A-23A*
		9S-012T	9S-131T		9S-141T		9S-151T		9S-670T		9S-913AT
13 - 23	F	13A-1°	14A	C	15A	C	16A	C	17A-18C*	D	19C-21C-23C*
		9S-013T	9S-141T		9S-151T		9S-161T		9S-780T		9S-913CT
13 - 26	F	13A-1°	14A	C	15A	C	16A	C	17A-19A*	D	21A-23A-26A*
		9S-013T	9S-141T		9S-151T		9S-161T		9S-79AT		9S-136T

* pre-assembled

CHORUS MK2
9 SPEED
CS-19SP



12 - 21	A	12A-1° 9S-113	13A 9S-131	C	14A 9S-141	C	15A 9S-151	C	16A-17A-18C* 9S-678	D	19C-21C* 9S-91C
12 - 23	A	12A-1° 9S-113	13A 9S-131	C	14A 9S-141	C	15A 9S-151	C	16A-17A* 9S-670	D	19A-21A-23A* 9S-913A
13 - 23	A	13A-1° 9S-114	14A 9S-141	C	15A 9S-151	C	16A 9S-161	C	17A-18C* 9S-780	D	19C-21C-23C* 9S-913C
13 - 26	A	13A-1° 9S-114	14A 9S-141	C	15A 9S-151	C	16A 9S-161	C	17A-19A* 9S-79A	D	21A-23A-26A* 9S-136

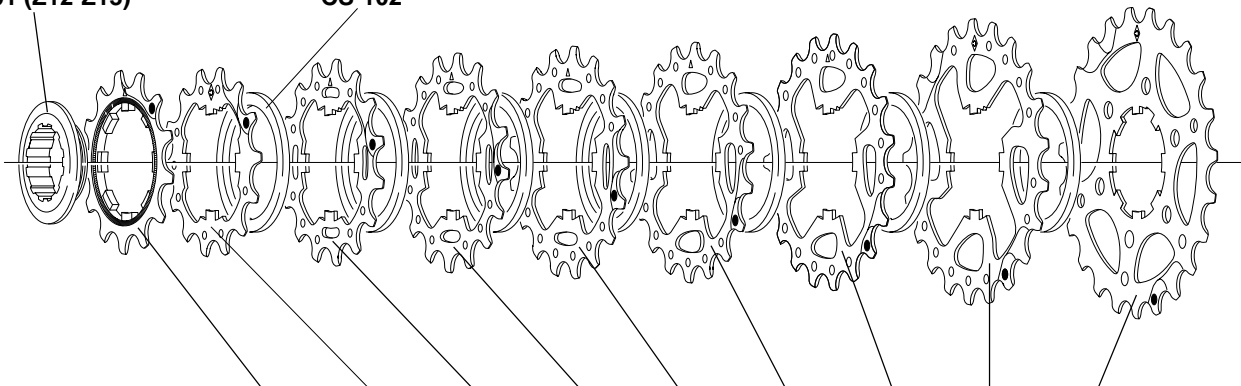
* pre-assembled

9 SPEED CS-09SP

CS-301 (Z11)

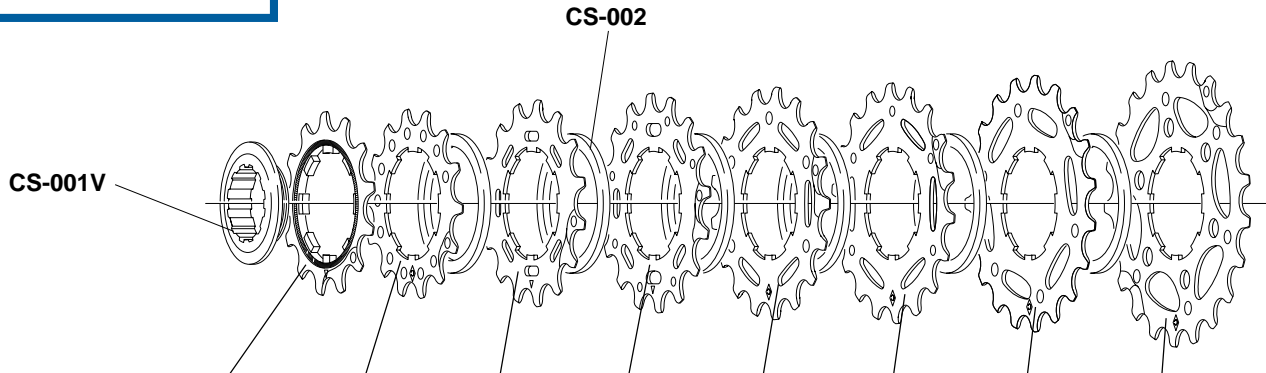
CS-201 (Z12-Z13)

CS-102



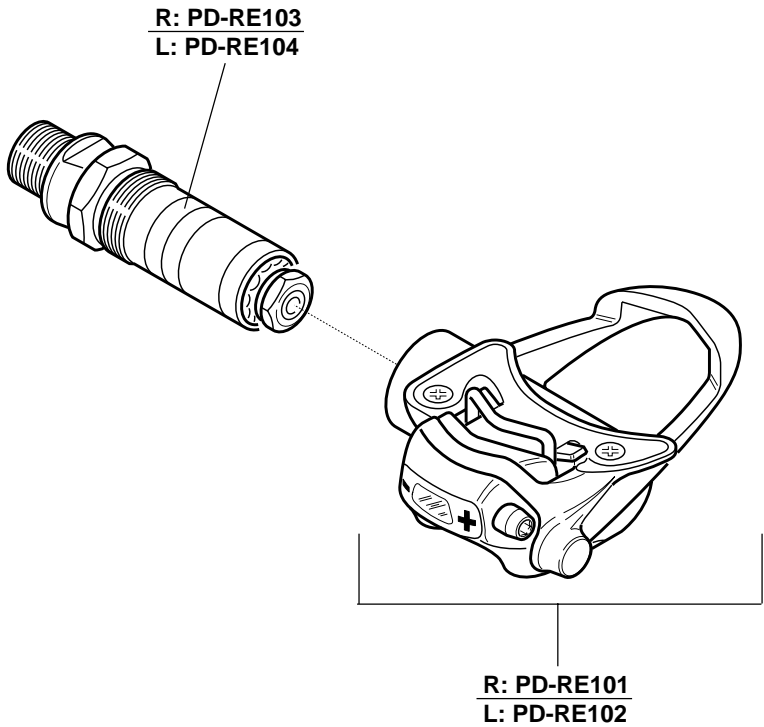
11 - 23	11B-1P 9S-012	12B 9S-022	13B 9S-132	14B 9S-142	15B 9S-152	17B 9S-172	19A 9S-191	21A 9S-211	23A 9S-231
12 - 23	12A-1P 9S-013	13A 9S-131	14A 9S-141	15A 9S-151	16A 9S-161	17A 9S-171	19A 9S-191	21A 9S-211	23A 9S-231
13 - 23	13A-1P 9S-014	14A 9S-141	15A 9S-151	16A 9S-161	17A 9S-171	18C 9S-183	19C 9S-193	21C 9S-213	23C 9S-233
13 - 26	13A-1P 9S-014	14A 9S-141	15A 9S-151	16A 9S-161	17A 9S-171	19A 9S-191	21A 9S-211	23A 9S-231	26A 9S-261

**8 SPEED
CS-08SP**

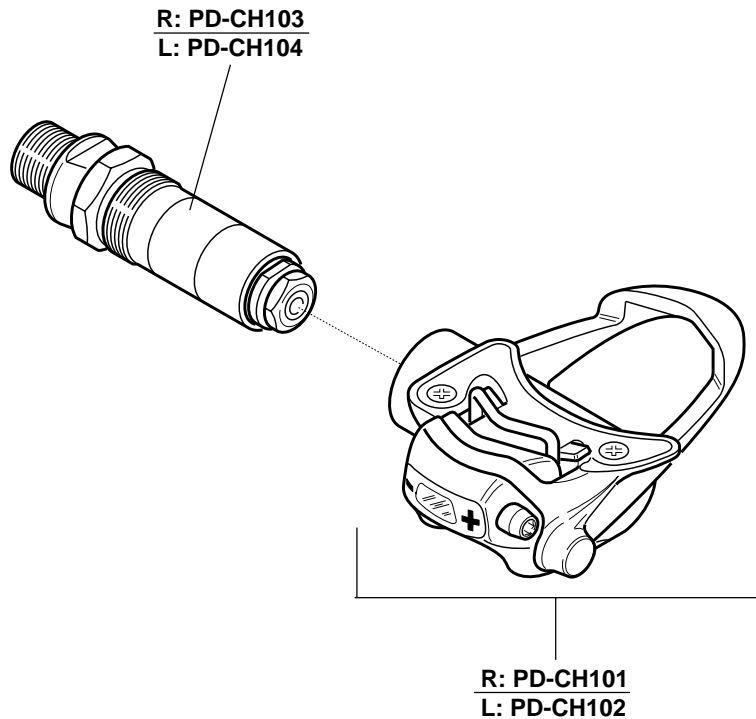


12 - 23	12B-1P CS-004V	13B CS-132V	14B CS-142V	15B CS-152V	17B CS-172V	19A CS-191V	21A CS-211V	23A CS-231V
12 - 25	12C-1P CS-010V	13C CS-133V	15C CS-153V	17B CS-172V	19A CS-191V	21A CS-211V	23A CS-231V	25A CS-251V
13 - 23	13A-1P CS-005V	14A CS-141V	15A CS-151V	16A CS-161V	17A CS-171V	19A CS-191V	21A CS-211V	23A CS-231V
13 - 26	13B-1P CS-006V	14B CS-142V	15B CS-152V	17B CS-172V	19A CS-191V	21A CS-211V	23A CS-231V	26A CS-261V
14 - 26	14A-1P CS-007V	15A CS-151V	16A CS-161V	17A CS-171V	19A CS-191V	21A CS-211V	23A CS-231V	26A CS-261V
16 - 23	16A-1P CS-012V	17A CS-171V	18C CS-183V	19C CS-193V	20D CS-204V	21D CS-214V	22D CS-224V	23D CS-234V

**RECORD PRO-FIT
PEDALS
PD-52REQR**

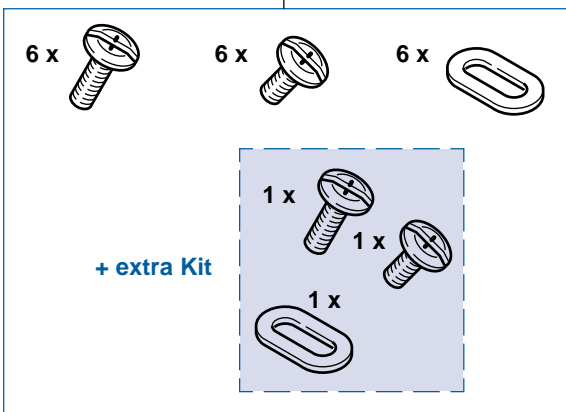


**CHORUS PRO-FIT
PEDALS
PD-42CHQR**

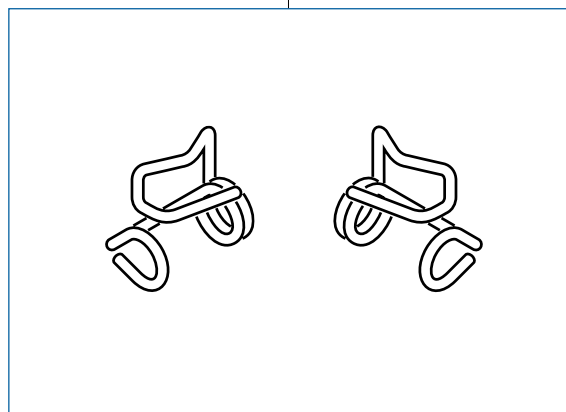


**PRO-FIT PEDALS
SPARE PARTS**

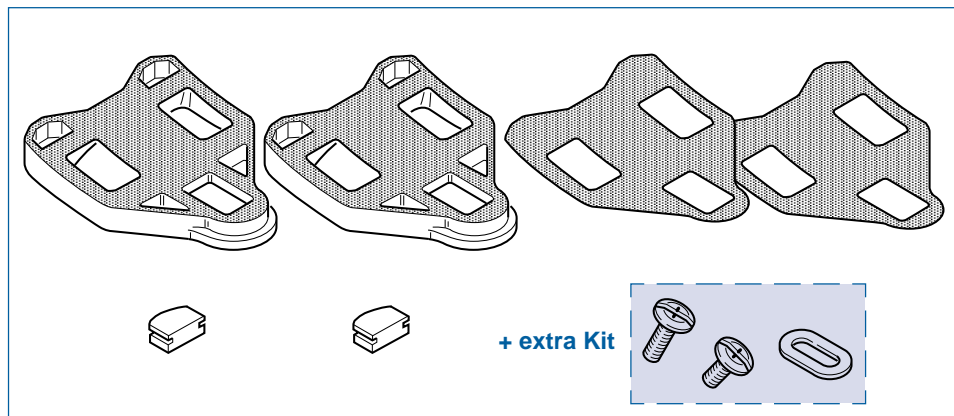
PD-RE106



R + L: PD-RE105

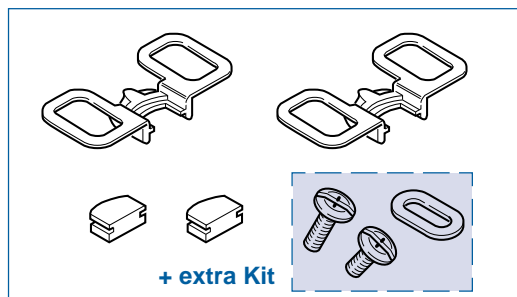


PRO-FIT PEDALS
SPARE PARTS
(blister-packed)



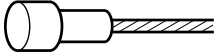
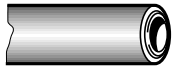





FLOATING CLEATS
PD-RE020

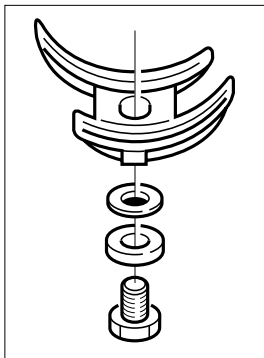
FIXED CLEATS
PD-RE021



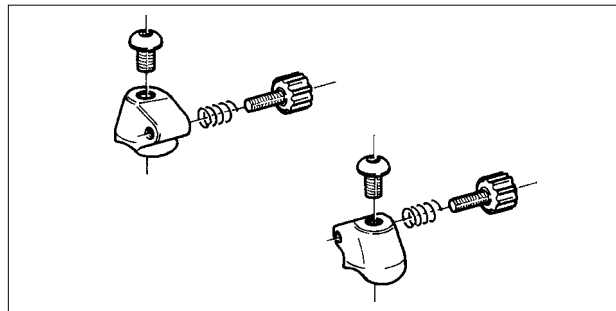
PD-RE100

COMPLETE SETS			
ERGOPOWER	<i>RECORD 9 SPEED</i>		CG-ER201
	<i>CHORUS 9 SPEED</i>		
	<i>ATHENA 9 SPEED</i>		
	<i>VELOCE 9 SPEED</i>		CG-ER102
	<i>MIRAGE</i> <i>AVANTI</i>		CG-ER202
TRADITIONAL	<i>RECORD 9 SP.</i>	brakes	CG-BR201
		derailleurs	CG-DD101

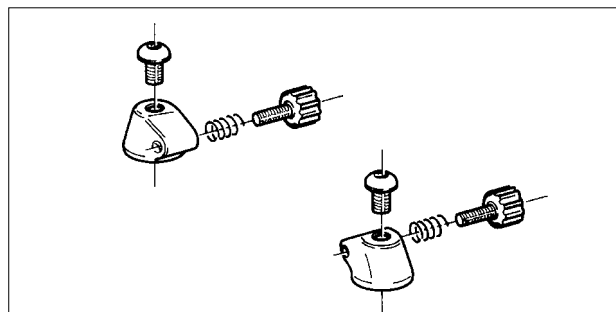
SPARE PARTS		FRONT	REAR	
BRAKES		Ø 1,6 mm L. 800 mm CG-CB003	Ø 1,6 mm L. 1600 mm CG-CB013	
		Ø 5 mm L. 580 mm CG-CS014	Ø 5 mm L. 1250 mm CG-CS002	
		Ø 6 mm CG-CS011		
DERAILLEURS	 Ø 1,2 mm	ERGOPOWER	L. 1600	CG-CB014
		ERGOPOWER	L. 2000	CG-CB009
		SHIFTING LEVERS	L. 830	CG-CB011
		SHIFTING LEVERS	L. 1600	CG-CB014
	 Ø 4,5 mm	ERGOPOWER	L. 680	CG-CS015
		ERGOPOWER	L. 330	CG-CS008
		Ø 5,7 mm CG-CS012		
		Ø 5,7/4 mm CG-CS013		



CABLE GUIDE PLATE
AI-00CD (stainless steel)
AI-12CD (resin)

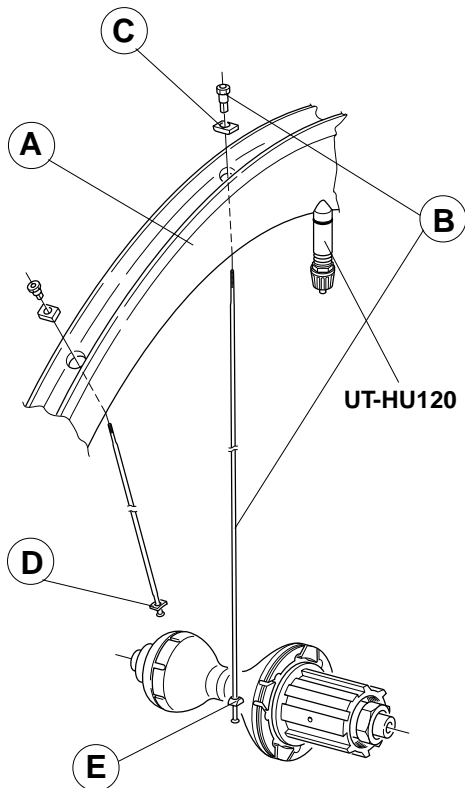


ERGOPOWER BLOCKS FOR STEEL FRAME
Aluminium: EC-RE001 Resin: EC-AT001



ERGOPOWER BLOCKS FOR CARBON FRAME
Aluminium: EC-RE002 Resin: EC-AT002

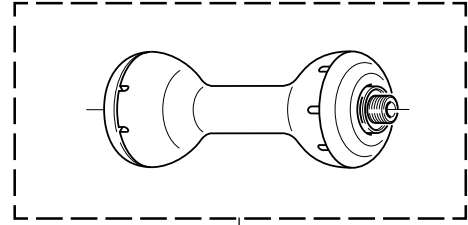
BORA 9 SPEED



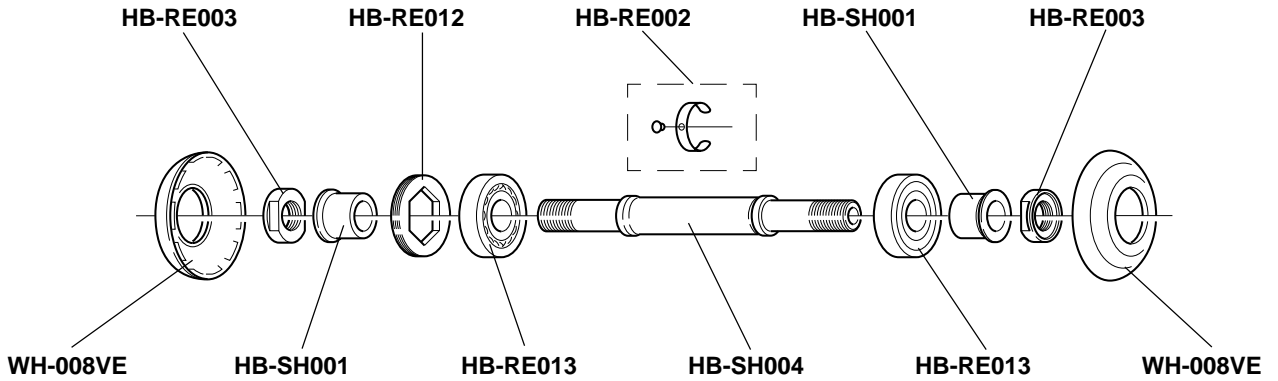
	COMPLETE WHEELS	A	KIT (B + C + D)	KIT (B + C + D + E)
FRONT	R-BO101 tubular 28"	WH-101BO	KIT-01BO	
REAR	R-BO201 tubular 28"	WH-101BO		KIT-02BO

	COMPLETE WHEELS	B	B right	B left
FRONT	R-BO101 tubular 28"	L. 278 mm		
REAR	R-BO201 tubular 28"		L. 278 mm	L. 277 mm

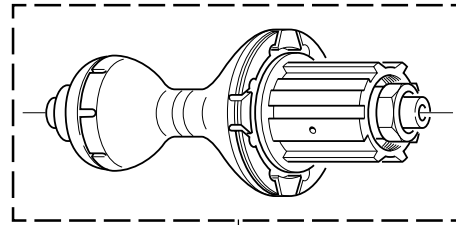
BORA



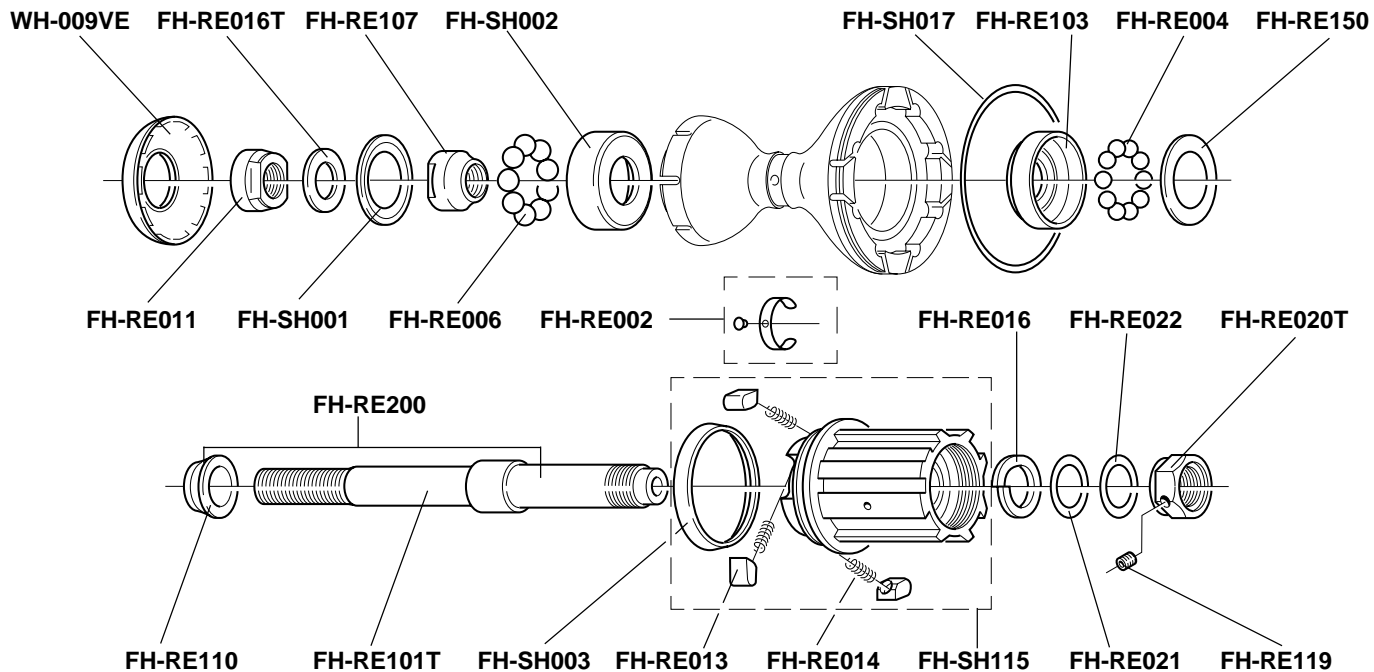
WH-042BO



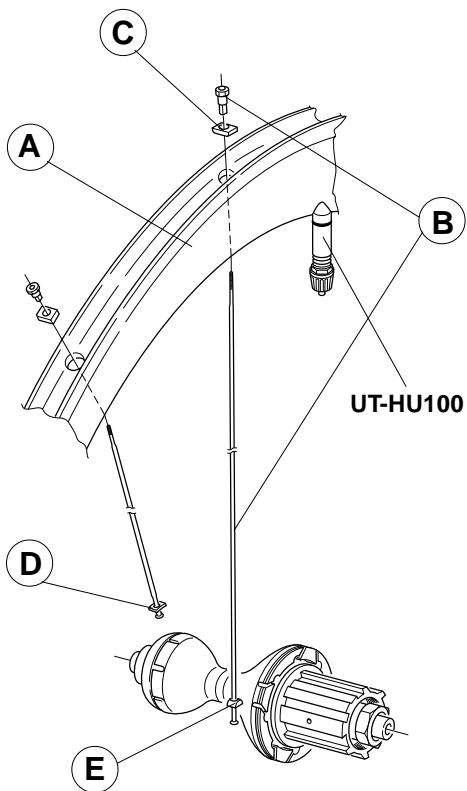
BORA 9 SPEED



WH-043BO



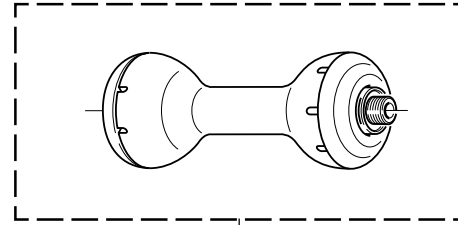
SHAMAL 9 SPEED



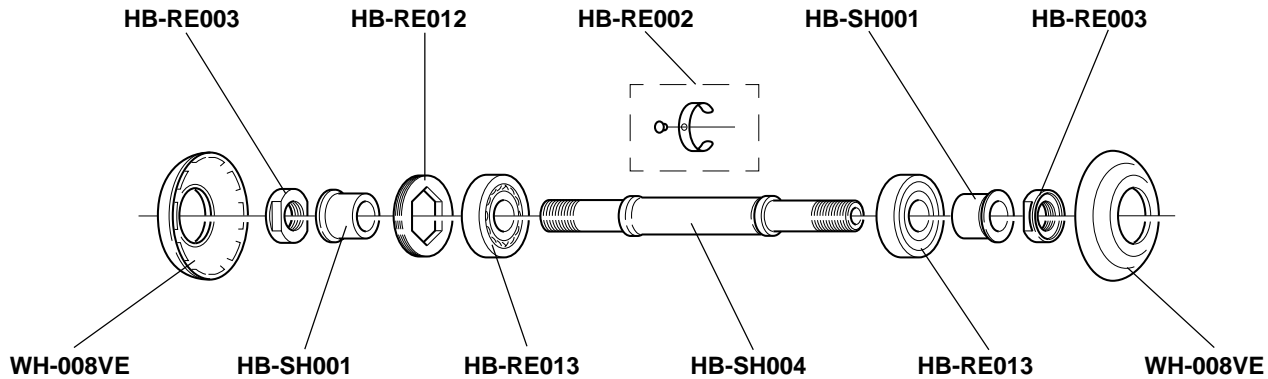
	COMPLETE WHEELS	A	KIT (B + C + D)	KIT (B + C + D + E)
FRONT	R-SH110 tubular 28"	WH-008SH	KIT-95SH	
	R-SH305 clincher 28"	WH-009SH	KIT-98SH	
REAR	R-SH212 tubular 28"	WH-010SH		KIT-97SH
	R-SH406 clincher 28"	WH-011SH		KIT-94VE

	COMPLETE WHEELS	B	B right	B left
FRONT	R-SH110 tubular 28"	L. 281 mm		
	R-SH305 clincher 28"	L. 282 mm		
REAR	R-SH212 tubular 28"		L. 280 mm	L. 276 mm
	R-SH406 clincher 28"		L. 282 mm	L. 278 mm

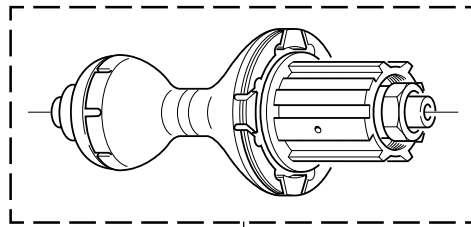
SHAMAL



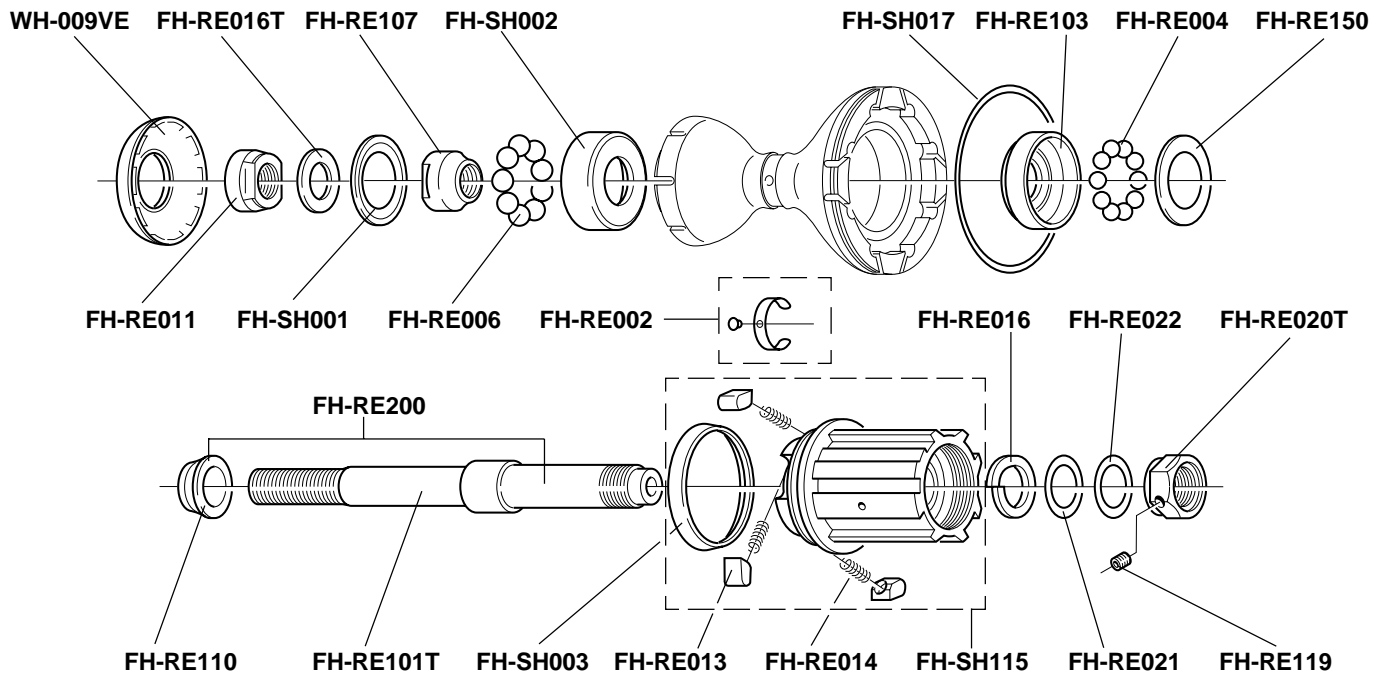
WH-142SH



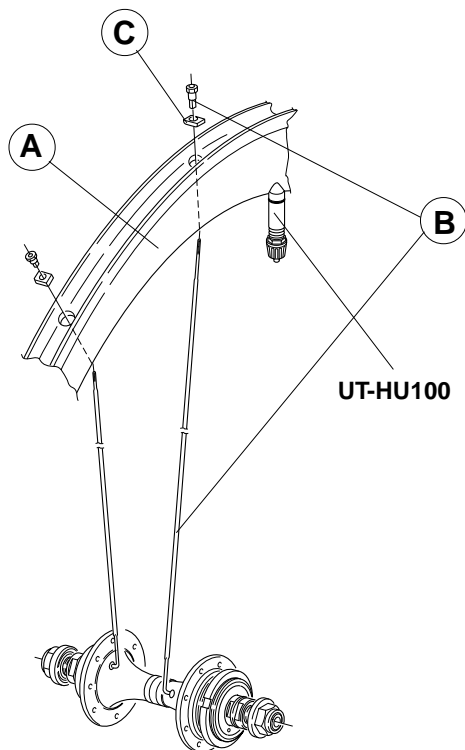
SHAMAL 9 SPEED



WH-143SH



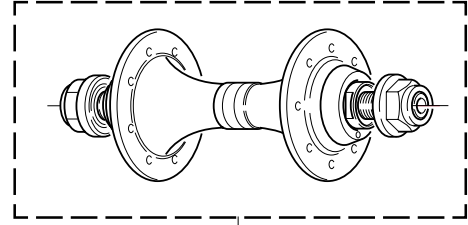
SHAMAL PISTA



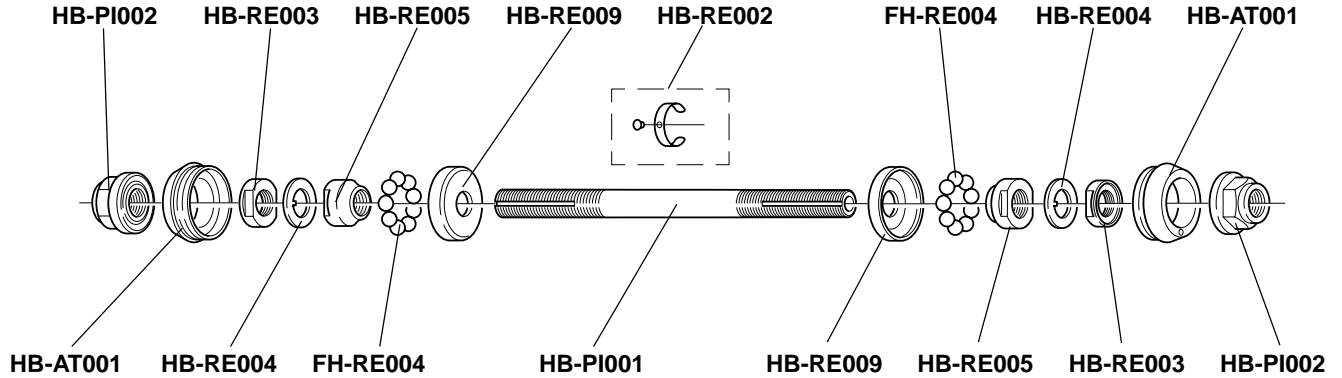
	COMPLETE WHEEL	A	KIT (B + C)
FRONT	R-SH107 tubular 28"	WH-026SH	KIT-01SH
REAR	R-SH204 tubular 28"	WH-026SH	KIT-02SH

	COMPLETE WHEEL	B	B right	B left
FRONT	R-SH107 tubular 28"	L. 276 mm		
REAR	R-SH204 tubular 28"		L. 277 mm	L. 274 mm

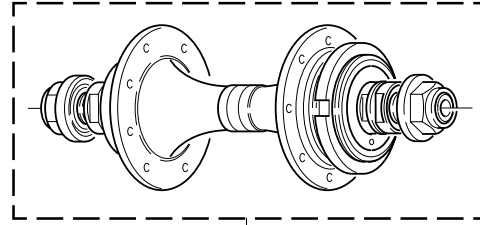
**SHAMAL
PISTA**



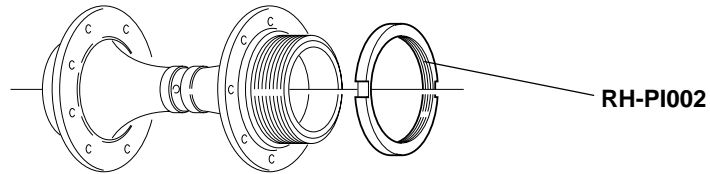
WH-102PI



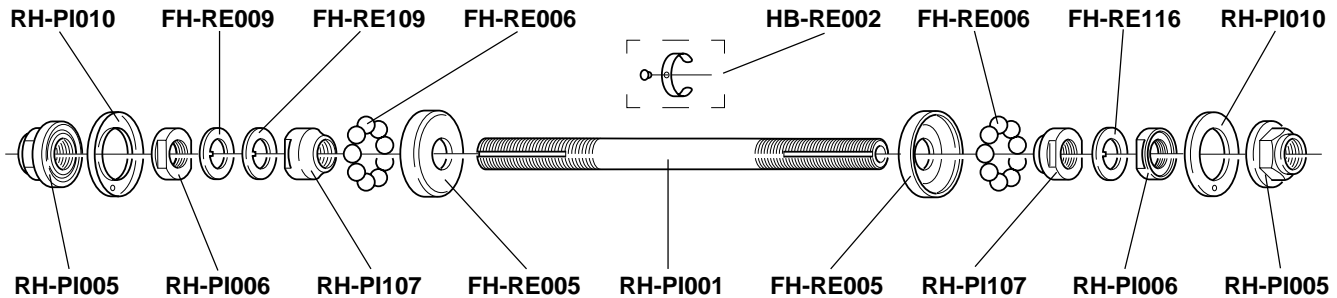
SHAMAL PISTA



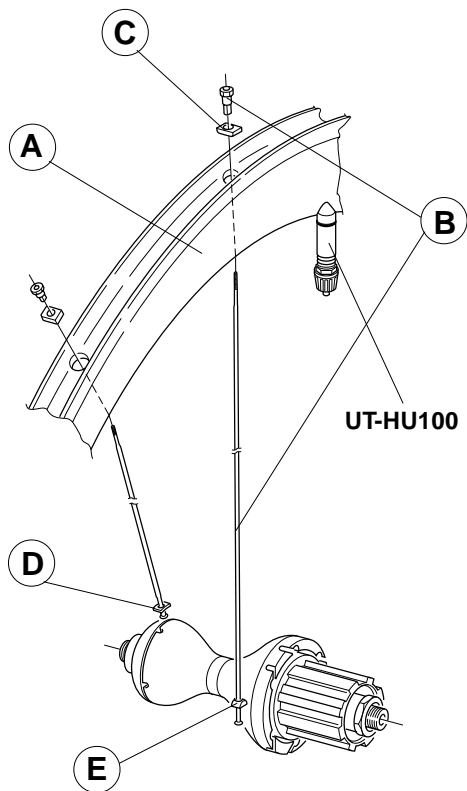
FH-16PI



RH-PI002



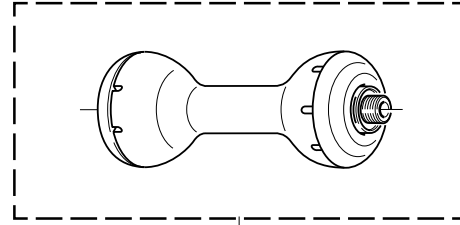
VENTO 9 SPEED



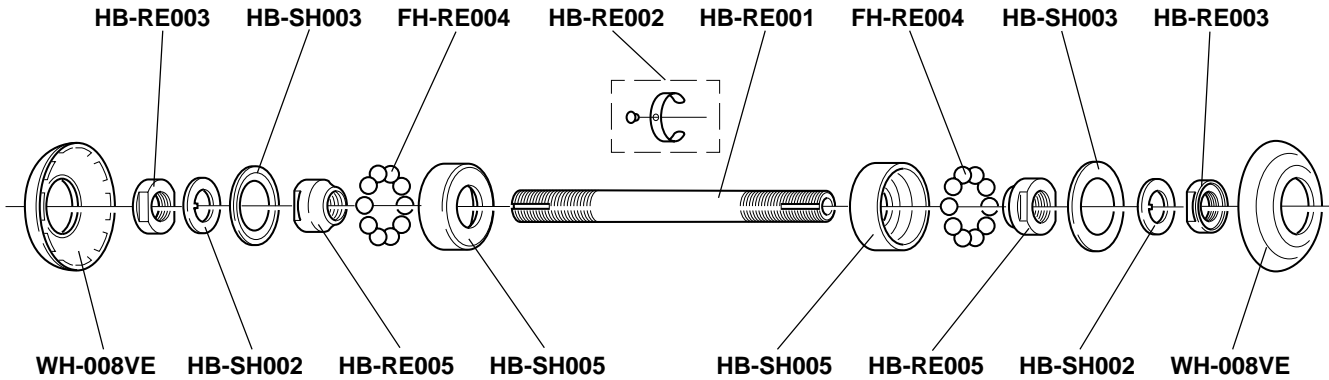
	COMPLETE WHEELS	A	KIT (B + C + D)	KIT (B + C + D + E)
FRONT	R-VE101 tubular 26"	WH-003VE	KIT-96VE	
	R-VE310 clincher 26"	WH-001VE	KIT-91VE	
	R-VE311 clincher 28"	WH-002VE	KIT-92VE	
REAR	R-VE201 tubular 26"	WH-003VE		KIT-97VE
	R-VE410 clincher 26"	WH-001VE		KIT-93VE
	R-VE411 clincher 28"	WH-002VE		KIT-94VE

	COMPLETE WHEELS	B	B right	B left
FRONT	R-VE101 tubular 26"	L. 256 mm		
	R-VE310 clincher 26"	L. 257 mm		
	R-VE311 clincher 28"	L. 282 mm		
REAR	R-VE201 tubular 26"		L. 256 mm	L. 251 mm
	R-VE410 clincher 26"		L. 255 mm	L. 251 mm
	R-VE411 clincher 28"		L. 282 mm	L. 278 mm

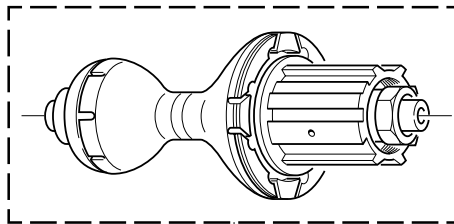
VENTO



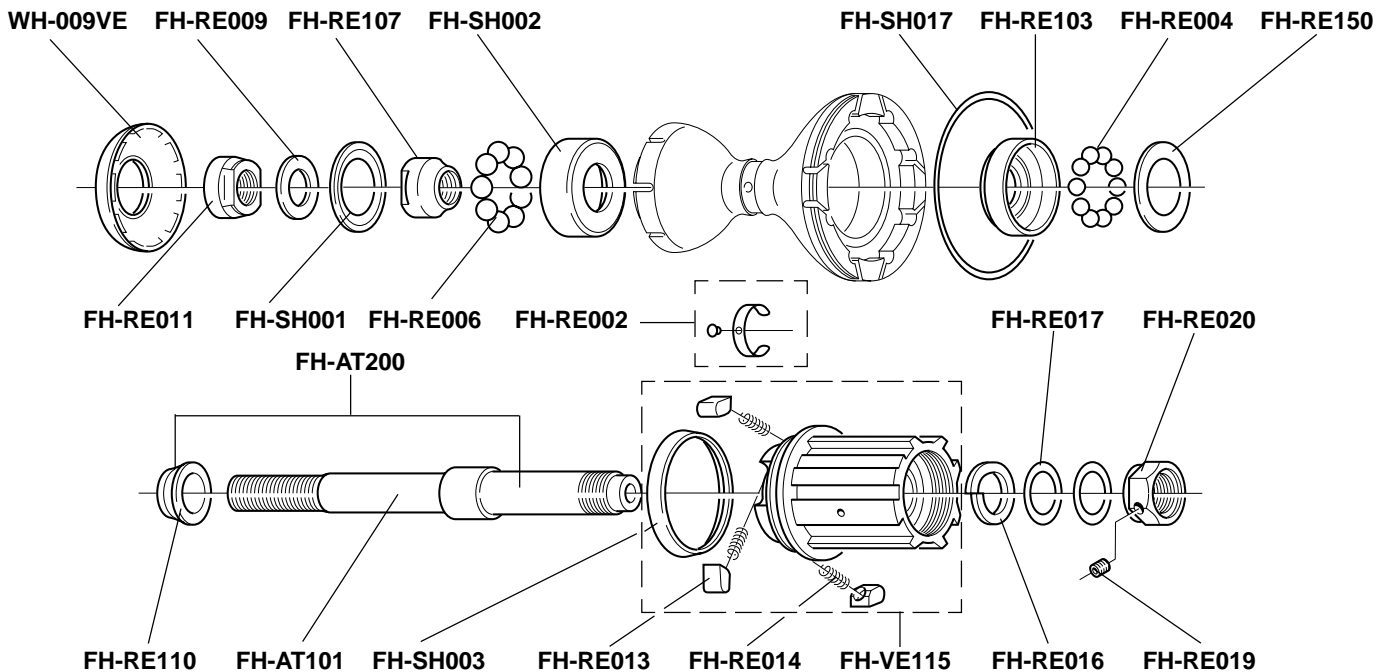
WH-122VE



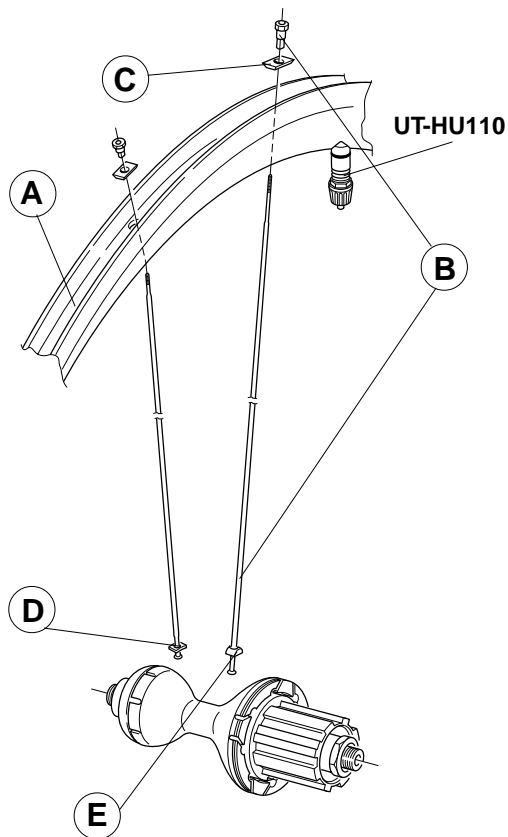
VENTO 9 SPEED



WH-123VE



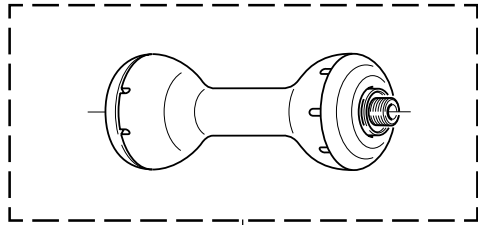
ZONDA 9 SPEED



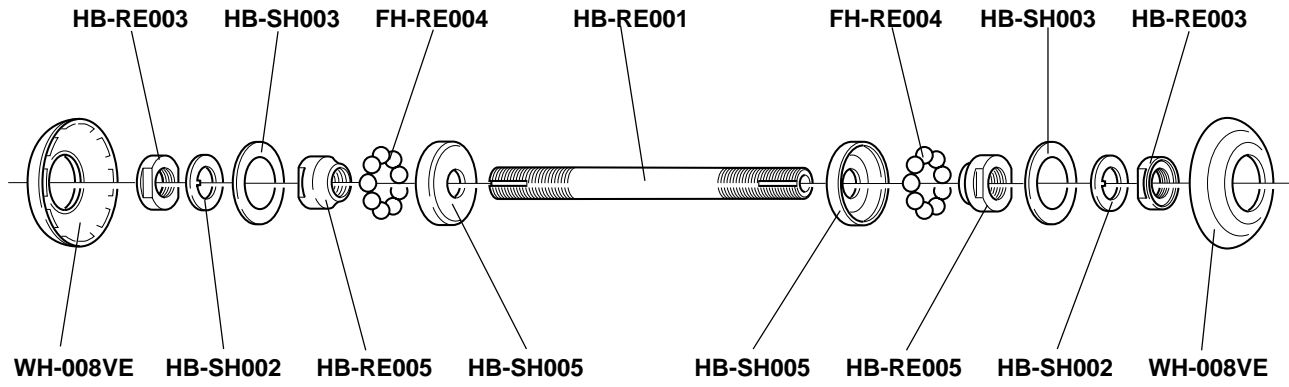
	COMPLETE WHEELS	A	KIT (B + C + D)	KIT (B + C + D + E)
FRONT	R-ZO307 clincher 28"	WH-201ZO	KIT-91ZO	
REAR	R-ZO407 clincher 28"	WH-201ZO		KIT-92ZO

	COMPLETE WHEELS	B	B right	B left
FRONT	R-ZO307 clincher 28"	L. 285 mm		
REAR	R-ZO407 clincher 28"		L. 285 mm	L. 281 mm

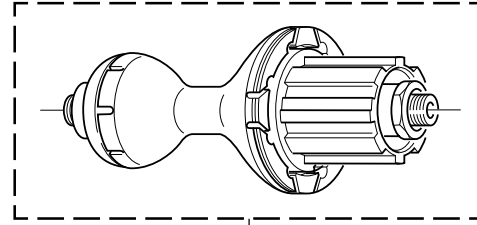
ZONDA



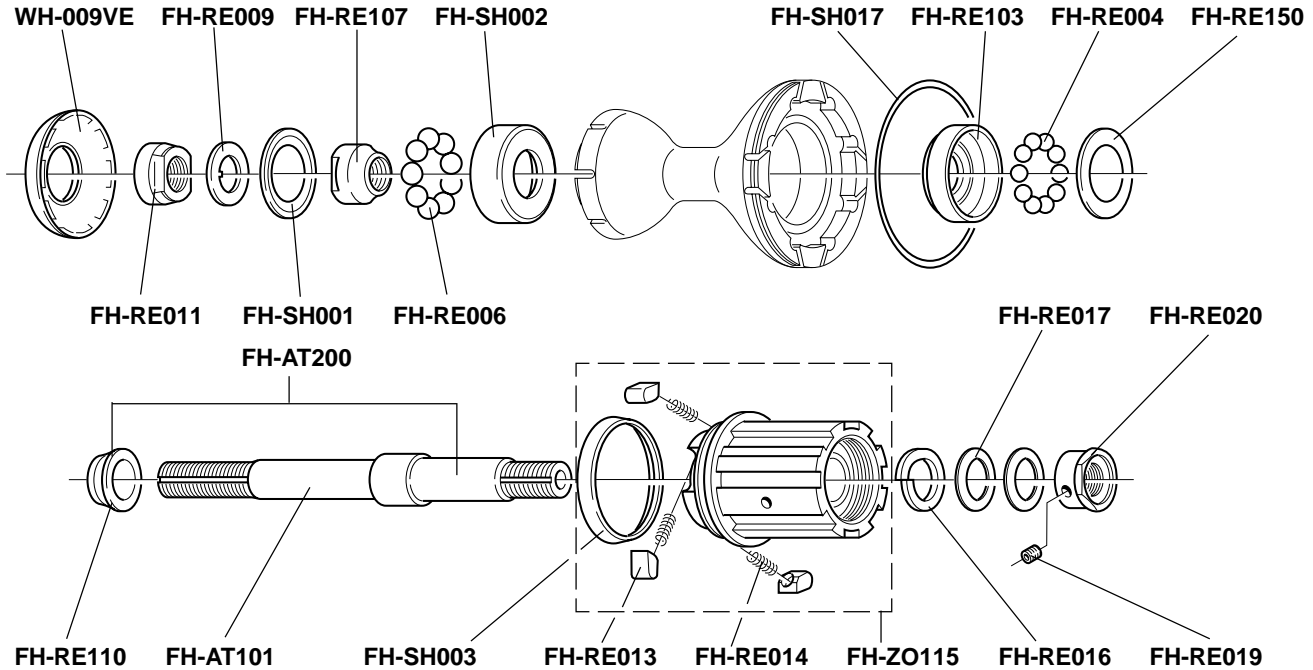
WH-202ZO



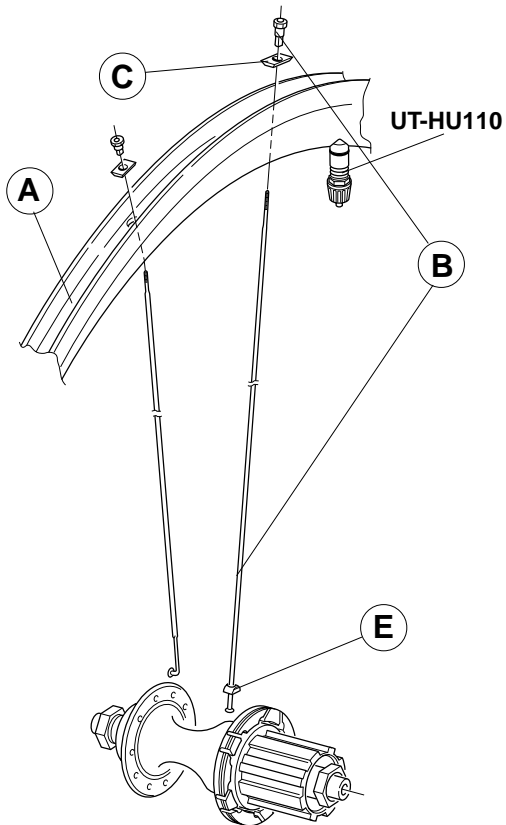
ZONDA 9 SPEED



WH-203ZO



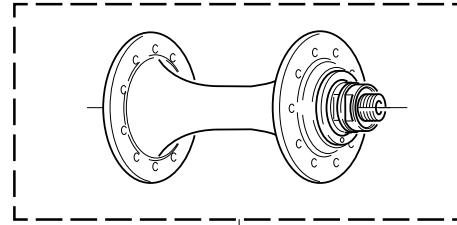
SCIROCCO



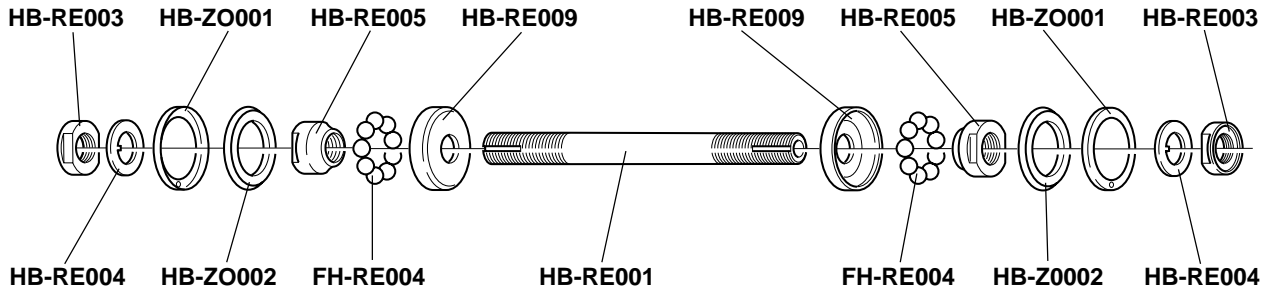
	COMPLETE WHEELS	A	KIT (B + C + D)	KIT (B + C + D + E)
FRONT	R-SC309 clincher 28"	WH-001SC	KIT-81SC	
REAR	R-SC409 clincher 28" 9V	WH-001SC		KIT-83SC
	R-SC410 clincher 28" 8V			

	COMPLETE WHEELS	B	B right	B left
FRONT	R-SC309 clincher 28"	L. 271 mm		
REAR	R-SC409 clincher 28" 9V		L. 272 mm	L. 269 mm
	R-SC410 clincher 28" 8V			

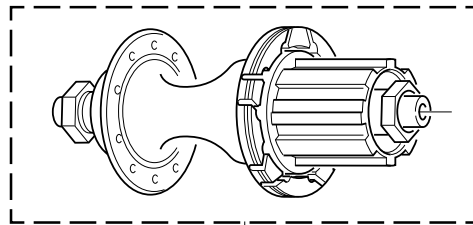
SCIROCCO



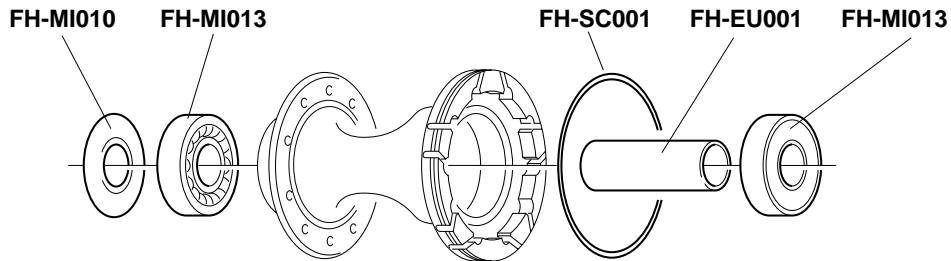
WH-102SC



**SCIROCCO
9 SPEED**

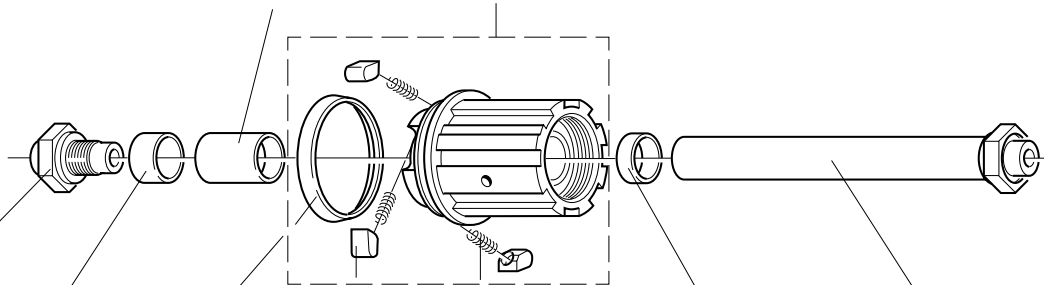


WH-006SC



FH-MI004

FH-SC015



FH-EU002

FH-MI016

FH-RE012

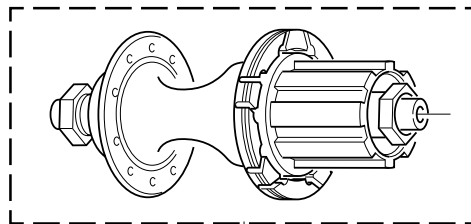
FH-RE013

FH-RE014

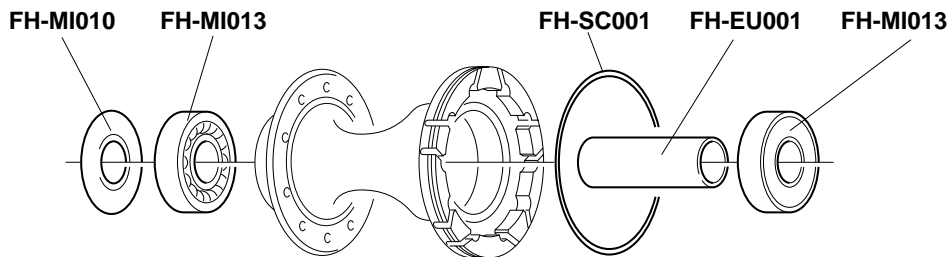
FH-MI003

FH-MI001

SCIROCCO
8 Speed

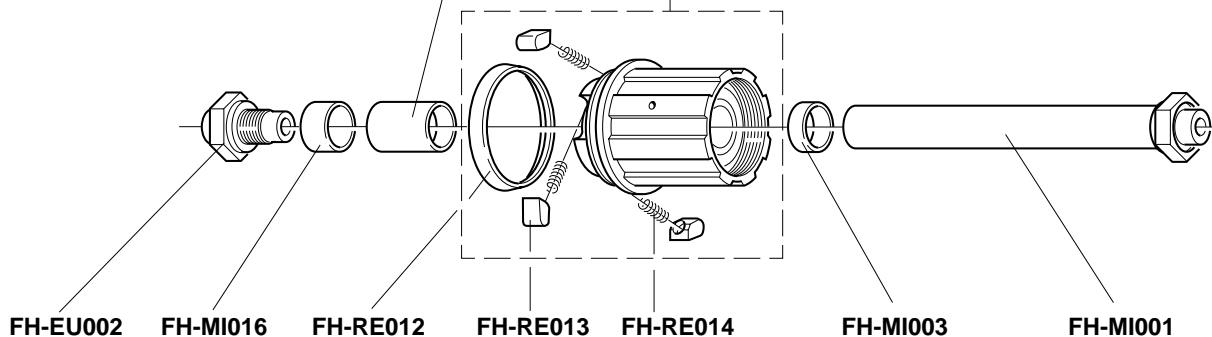


WH-103SC

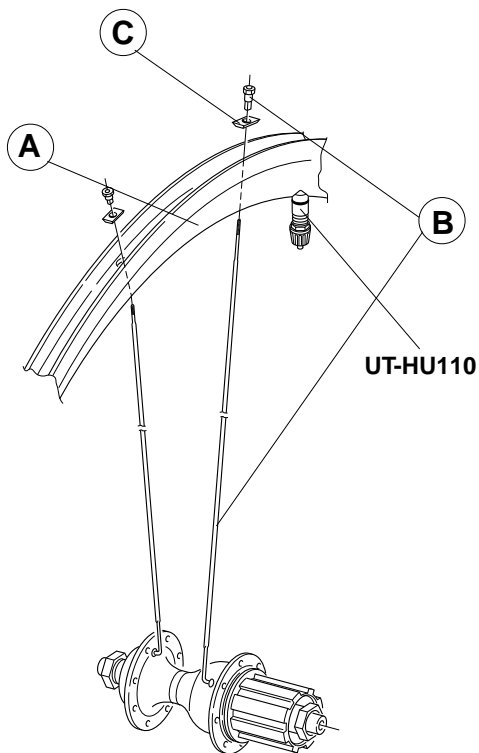


FH-MI004

FH-SC025



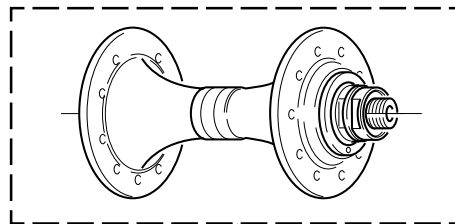
EURUS 8 Speed



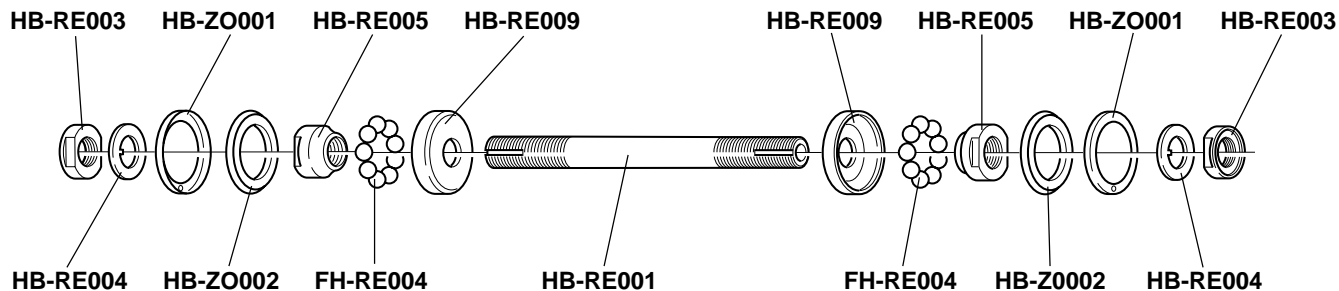
	COMPLETE WHEEL	A	KIT (B + C)
FRONT	R-EU300 clincher 28"	WH-001EU	KIT-81EU
REAR	R-EU400 clincher 28"	WH-001EU	KIT-82EU

	COMPLETE WHEEL	B	B right	B left
FRONT	R-EU300 clincher 28"	L. 274 mm		
REAR	R-EU400 clincher 28"		L. 272 mm	L. 274 mm

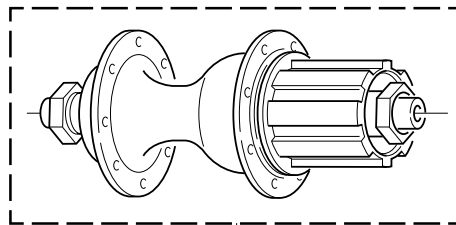
EURUS



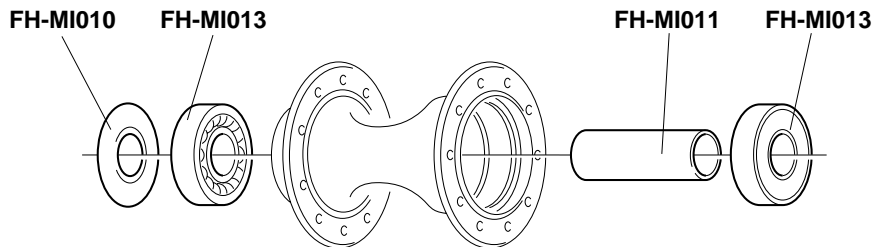
WH-102EU



EURUS
8 Speed

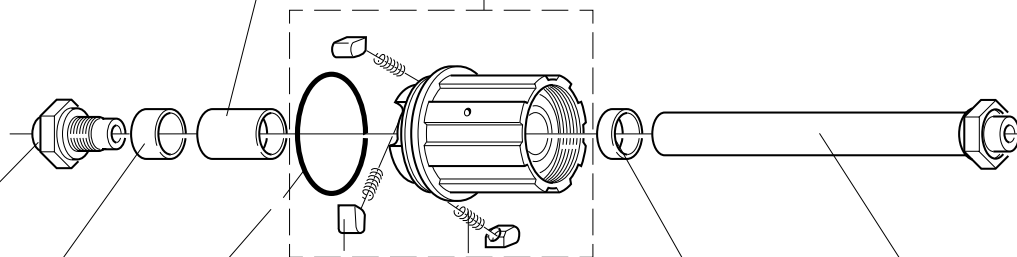


WH-103EU



FH-MI004

FH-EU015



FH-MI002

FH-MI016

FH-RE012

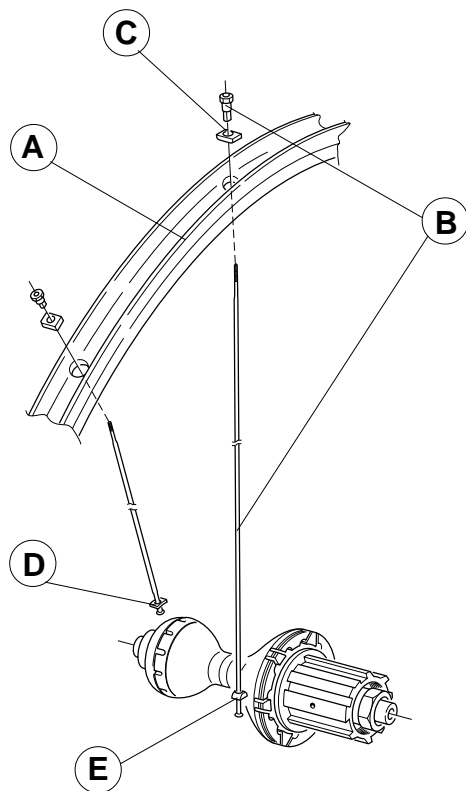
FH-RE013

FH-RE014

FH-MI003

FH-MI001

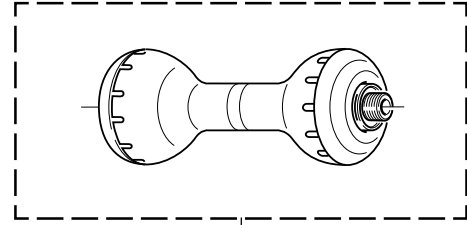
ELECTRON 9 SPEED



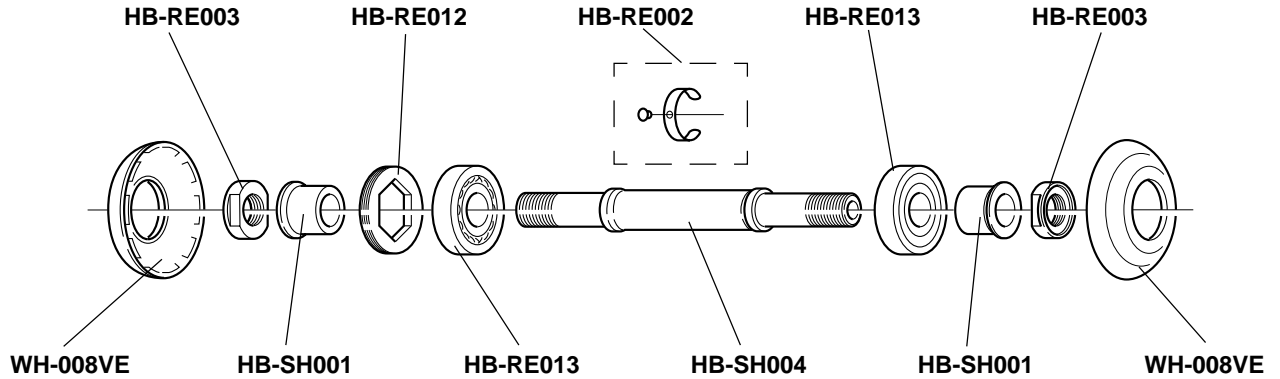
	COMPLETE WHEELS	A	KIT (B + C + D)	KIT (B + C + D + E)
FRONT	R-EL101 tubular 28"	WH-001EL	KIT-91EL	
	R-EL301 clincher 28"	WH-002EL	KIT-92EL	
REAR	R-EL201 tubular 28"	WH-001EL		KIT-93EL
	R-EL401 clincher 28"	WH-002EL		KIT-94EL

	COMPLETE WHEELS	B	B right	B left
FRONT	R-EL101 tubular 28"	L. 297 mm		
	R-EL301 clincher 28"	L. 295 mm		
REAR	R-EL201 tubular 28"		L. 297 mm	L. 289 mm
	R-EL401 clincher 28"		L. 295 mm	L. 288 mm

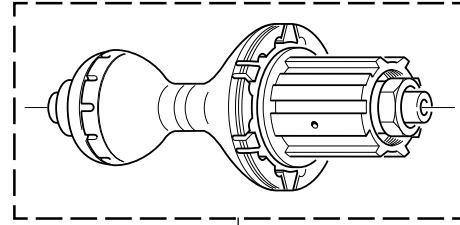
ELECTRON



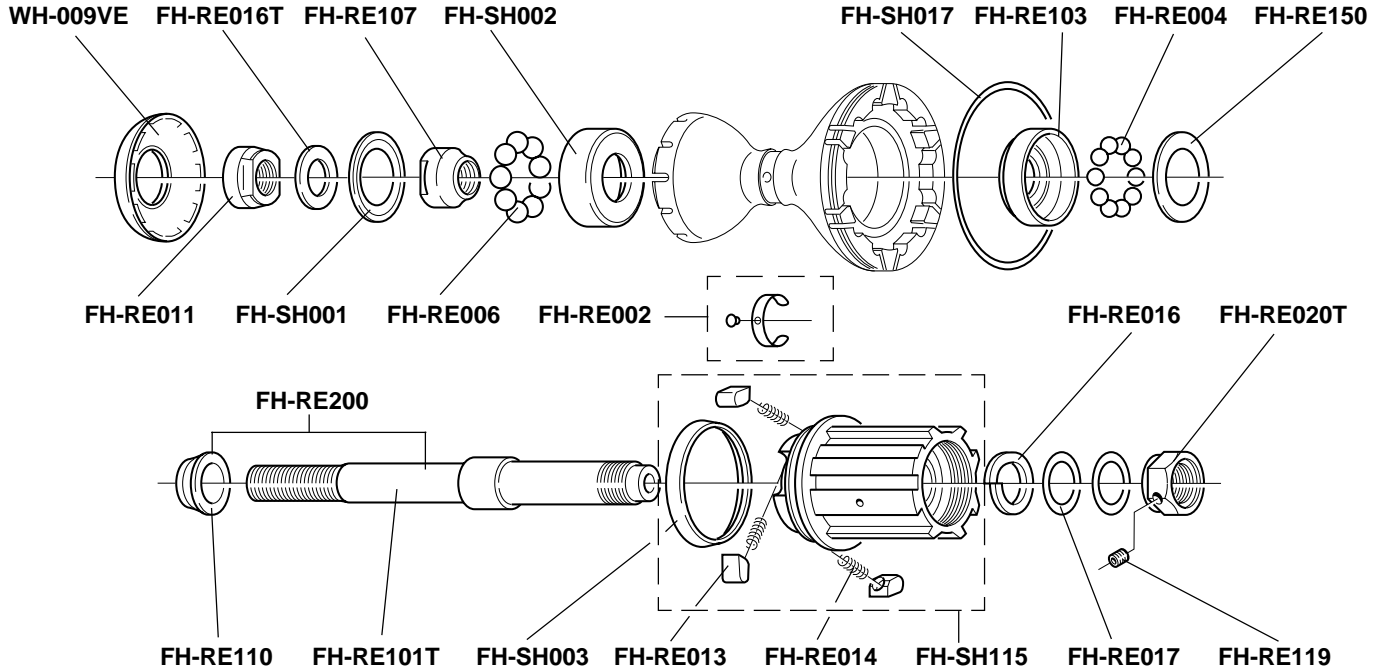
WH-003EL



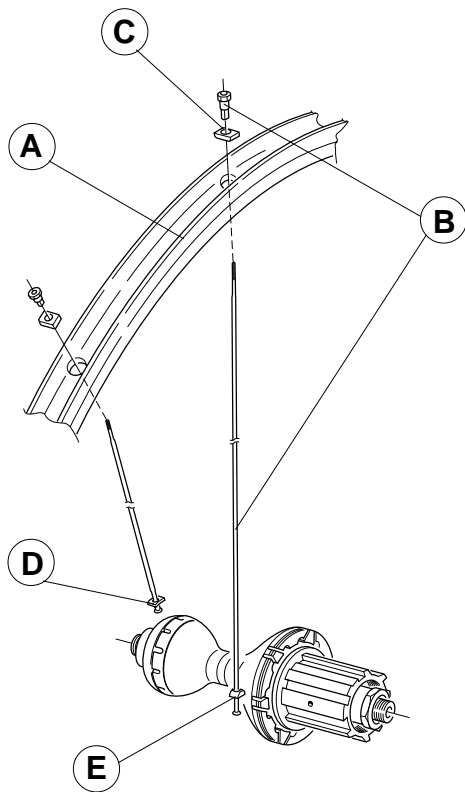
**ELECTRON
9 SPEED**



WH-004EL



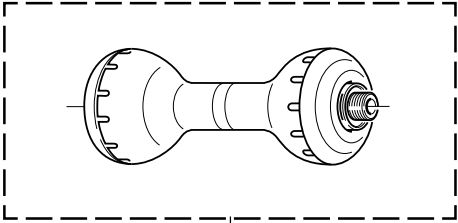
PROTON 9 SPEED



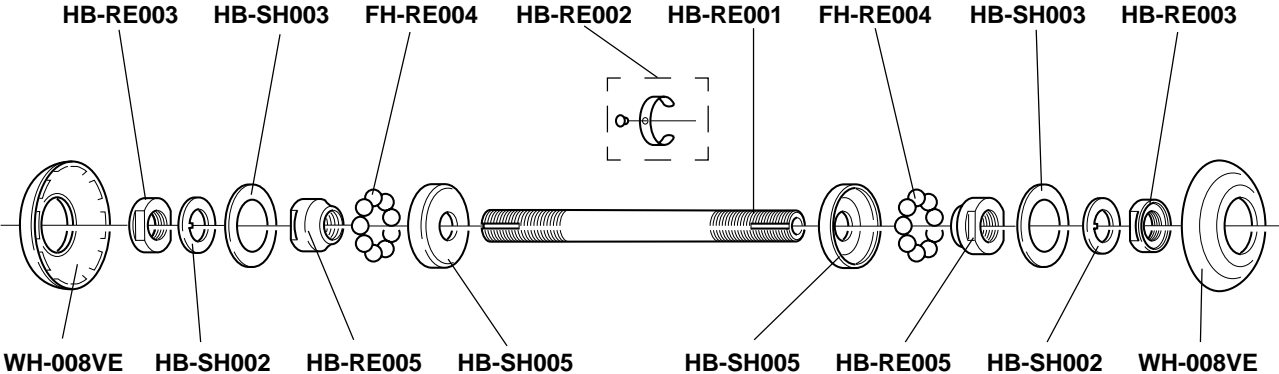
	COMPLETE WHEELS	A	KIT (B + C + D)	KIT (B + C + D + E)
FRONT	R-PR301 clincher 28"	WH-001PR	KIT-92EL	
REAR	R-PR401 clincher 28"	WH-001PR		KIT-94EL

	COMPLETE WHEELS	B	B right	B left
FRONT	R-PR301 clincher 28"	L. 295 mm		
REAR	R-PR401 clincher 28"		L. 295 mm	L. 288 mm

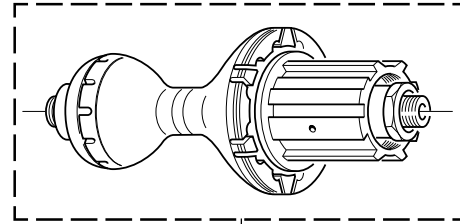
PROTON



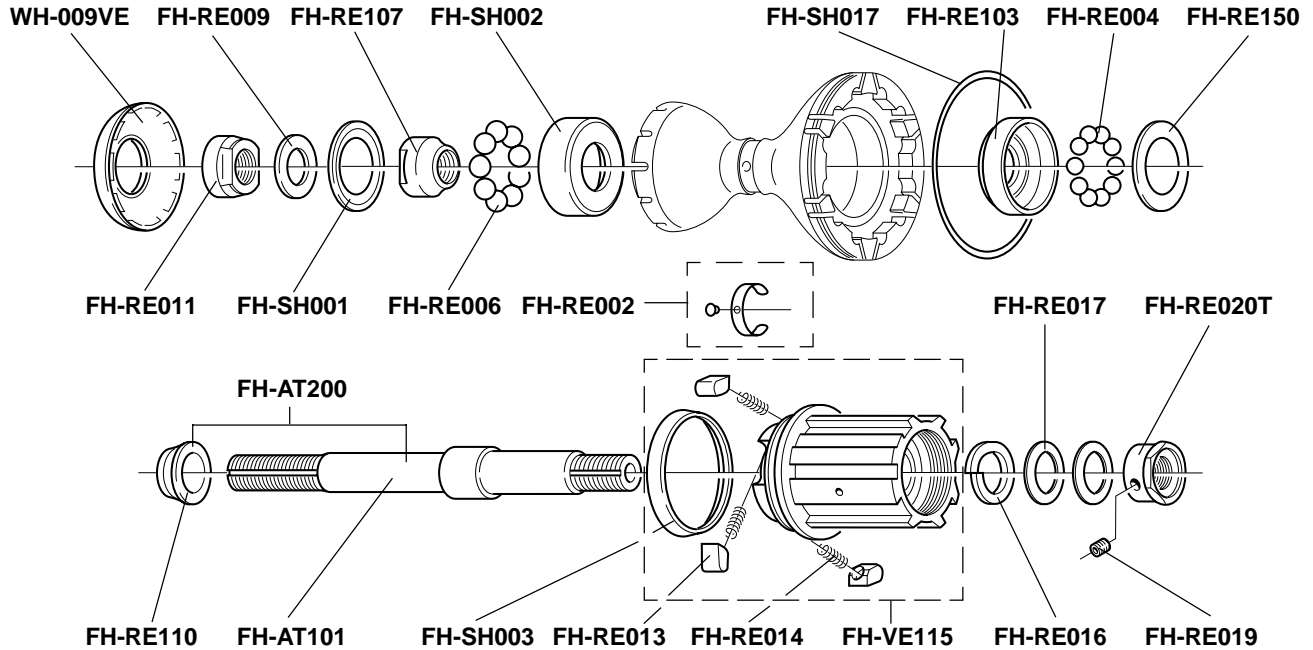
WH-003PR



**PROTON
9 SPEED**



WH-004PR



	ENGLISH	ITALIANO	FRANÇAIS	DEUTSCH
R	RIGHT	DESTRO	DROIT	RECHTS
L	LEFT	SINISTRO	GAUCHE	LINKS
F	FRONT	ANTERIORE	AVANT	VORDERRAD
R	REAR	POSTERIORE	ARRIERE	HINTERRAD
IT	ITALIAN	ITALIANO	ITALIEN	ITALIENISCH
BC	ENGLISH	INGLESE	ANGLAIS	ENGLISCH
TUBULAR	TUBULAR	TUBOLARE	BOYAU	SCHLAUCHREIF
CLINCHER	CLINCHER	COPERTONCINO	PNEU ETROIT	DRAHTREIF

