

Campagnolo®

11
SPEED™
III

EPS™

FRONT DERAILLEUR



WARNING!

Campagnolo

Carefully read, follow and understand the instructions given in this manual. It is an essential part of the product, and you should keep it in a safe place for future reference.

MECHANICAL QUALIFICATION - Please be advised that many bicycle service and repair tasks require specialized knowledge, tools and experience. General mechanical aptitude may not be sufficient to properly service or repair your bicycle. If you have any doubt whatsoever regarding your service/repair ability, please take your bicycle to a qualified repair shop.

"AN ACCIDENT" - Please note that throughout this manual, reference is made that "an accident" could occur. Any accident could result in damage to your bicycle, its components and, more importantly, could cause you or a bystander to sustain severe personal injury or even death.

INTENDED USE - This Campagnolo® product is designed and manufactured for use only on road racing style bicycles that are ridden only on smooth road or track surfaces. Any other use of this product, such as off-road or on trails is forbidden.

LIFESPAN - WEAR - INSPECTION REQUIREMENT - The lifespan of Campagnolo® components depends on many factors, such as rider size and riding conditions. Impacts, falls, improper use or harsh use in general may compromise the structural integrity of the components and significantly reduce their lifespan. Some components are also subject to wear over time. Please have your bicycle regularly inspected by a qualified mechanic for any cracks, deformation, signs of fatigue or wear. If the inspection reveals any deformation, cracks, impact marks or stress marks, no matter how slight, immediately replace the component; components that have experienced excessive wear also need immediate replacement. The frequency of inspection depends on many factors; check with your authorized Campagnolo® representative to select a schedule that is best for you.

Campagnolo

If you weigh 82 kg/180 lbs or more, you must be especially vigilant and have your bicycle inspected more frequently (than someone weighting less than 82 kg/180 lbs) for any evidence of cracks, deformation, or other signs of fatigue or stress. Check with your mechanic to discuss whether the components you selected are suitable for your use, and to determine the frequency of inspections.

Important PERFORMANCE, SAFETY and WARRANTY Notice - Dear customer, please remember that to maximise the performance of your EPS drivetrain and to prevent jeopardising its safety, performance, long-life and functionality, it is absolutely necessary to use the 6 components of EPS drivetrain with components of the Campagnolo 11 speed mechanical drivetrain; it is not possible to use EPS components that are not manufactured by Campagnolo.

Note: Tools supplied by other manufacturers for components similar to Campagnolo® components, may not be compatible with Campagnolo® components. Likewise, tools supplied by Campagnolo s.r.l. may not be compatible with components supplied by other manufacturers. Always check with your mechanic or the tool manufacturer to insure compatibility before using tools supplied by one manufacturer on components supplied by another.

The user of this Campagnolo® product expressly recognizes that there are risks inherent in bicycle riding, including but not limited to the risk that a component of the bicycle can fail, resulting in an accident, personal injury or death. By his purchase and use of this Campagnolo® product, the user expressly, voluntarily and knowingly accepts and/or assumes these risks, including but not limited to the risk of passive or active negligence of Campagnolo s.r.l. or hidden, latent or obvious defects in the product, and agrees to hold Campagnolo s.r.l. harmless to the fullest extent permitted by law against any resulting damages.

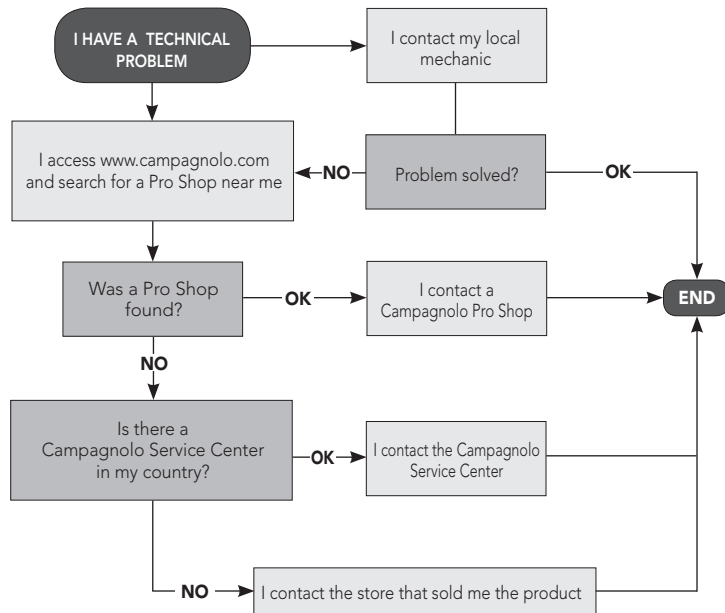
1 - INFORMATION AND TECHNICAL SUPPORT



Refer to the diagram on the following page when performing installation or adjustments or if you have a technical problem. Scan this QR CODE to access the search page to find your closest Campagnolo Pro Shop, or go to www.campagnolo.com.



NOTE FOR SPECIALISED MECHANICS: Please remember that all assembly, disassembly, adjustment and maintenance procedures for the EPS drivetrain are described in the EPS technical manual, which is available in PDF format on our internet site www.campagnolo.com. Scan this QR CODE to directly access the main page



IMPORTANT

Always check the product Technical Manual tables of compatibility with the previous Campagnolo® brands.

This EPS front derailleur IS NOT COMPATIBLE with the Campagnolo® external EPS Power Unit.

! WARNING!

THE EPS FRONT DERAILLEUR MUST BE MOUNTED AND CONNECTED ONLY AND EXCLUSIVELY BY ONE OF CAMPAGNOLO'S SERVICE CENTERS, A CAMPAGNOLO PRO-SHOP OR A MECHANIC SPECIALISED IN MOUNTING EPS GROUPSETS.

PLEASE REMEMBER THAT TAMPERING OR INCORRECT OR INCOMPLETE INSTALLATION OF EVEN JUST ONE COMPONENT OF THE EPS GROUPSET AUTOMATICALLY RESULTS IN THE INVALIDATION OF ANY WARRANTY.



WARNING!

Always wear protective gloves and glasses while working on the front derailleur.

2 - ASSEMBLY

When installing/removing or servicing components, switch off the EPS drivetrain as indicated in the instruction sheet of the EPS Power Unit.

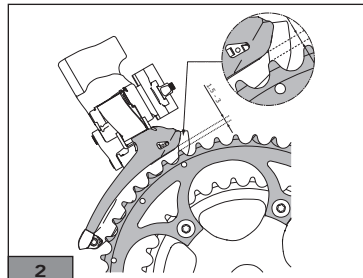
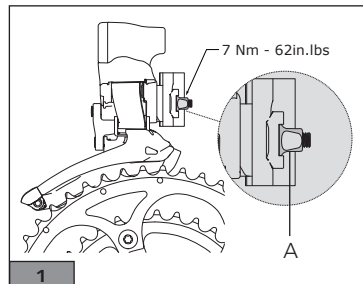
Loosen the screw using a 5 mm Allen wrench (A - Fig. 1) and remove the screw together with the washers, then secure the derailleur on the frame's braze-on coupling.

- Adjust the height of the derailleur so that the cage is at a distance of $1,5 \pm 3$ mm from the larger chainring (Fig. 2).

- Align the derailleur: the inner side of the derailleur cage must be parallel with the chainring (Fig. 3).

- Using a torque wrench, fasten the tightening bolt (A - Fig. 1) to the frame, torquing to the following values:

- **7 Nm (62 in.lbs)** for braze-on versions

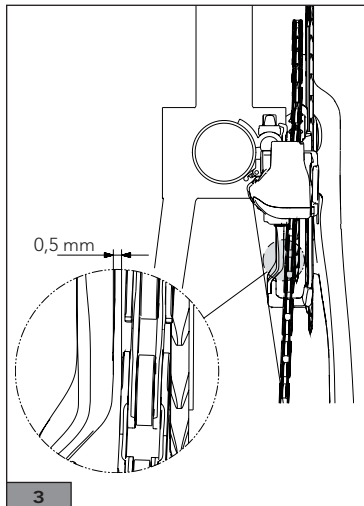


**WARNING!**

If your frame is made of carbon fiber, contact the frame manufacturer to insure that the frame will not be damaged by this 7 Nm (62 in.lbs) tightening torque, or to determine what actions need to be taken to protect the frame from damage.

Even slight damage to a carbon fiber frame can result in an unexpected failure, resulting in an accident, personal injury or death.

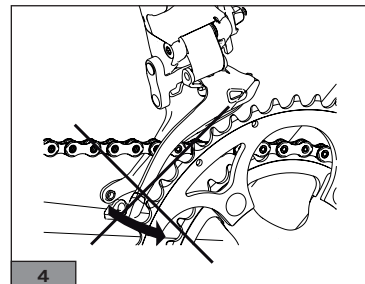
- Install the chain and position it on the smaller chainring and larger sprocket.

**2.1 - ZERO SETTING of the front derailleur****WARNING!**

Resetting the front derailleur to zero is a particularly delicate operation and must be carried out when the bicycle is stationary and placed on a stand. This is why it should be conducted only and exclusively by a Campagnolo Service Center, a Campagnolo Pro-shop or a mechanic specialised in mounting EPS groupsets.

2.2 - INSTRUCTIONS FOR DERAILLEUR WITH CARBON FIBER EXTERNAL CAGE**CAUTION!**

When you slip the chain through the derailleur cage (Fig. 4), do not strain the external carbon fiber semi-cage since this could be irreversibly damaged.



2.3 - ADJUSTING RIDING SETTING of front derailleur (WITH V2 / V3 POWER UNIT)

If you are using the front derailleur with the V2 / V3 EPS Power Unit, follow the procedure given below.

The setting adjustment procedure is used to change the position of the front derailleur relative to the individual chainrings.

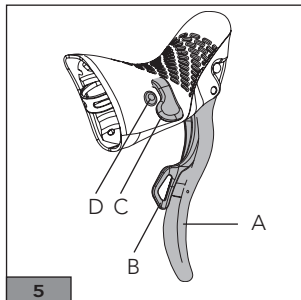
Place the front derailleur on the chainring for which you intend to adjust the position. To adjust the setting, press and hold the MODE (D - Fig.5) button on the Ergopower EPS controls for approximately 6 seconds until the purple LED illuminates.

Adjust the position by pressing lever B or C on the left hand control set (Fig. 5).

Note

The system moves the front derailleur by a fixed increment of approximately 0.1 mm each time lever B or C is pressed (Fig. 5).

To store the new setting, press the MODE button on the Ergopower EPS controls briefly (D - Fig.5).



Once the procedure is complete, the system implements the change to the individual chainring position adjusted.

NOTE

The procedure for adjusting the EPS front derailleur, when used in conjunction with EPS Bar End controls and EPS Bar End brake levers, is included in the respective instruction sheets.

IMPORTANT!

If you do not press the MODE key briefly, which allows to complete the setting procedure, the system will automatically exit the procedure after 90 seconds and will save the new setting.

Every time a resetting to zero is conducted, previous adjustments are reset.



WARNING!

Setting the front derailleur when the bicycle is in motion may result in dangerous situations and cause accidents. Therefore please be very careful if you decide to do it.



WARNING!

Keep your fingers clear while moving the front derailleur and the rear derailleur.

3 - REMOVAL / MAINTENANCE

WARNING!

THE EPS DRIVETRAIN MUST BE DISASSEMBLED ONLY AND EXCLUSIVELY BY ONE OF CAMPAGNOLO SERVICE CENTERS, A CAMPAGNOLO PRO-SHOP OR A MECHANIC SPECIALISED IN MOUNTING EPS GROUPSETS.

- When installing/removing or servicing components, switch off the EPS drivetrain as indicated in the instruction sheet of the EPS Power Unit.
- **The time indications reported herein are purely indicative and may vary considerably in relation to the conditions of use and intensity of your activity (significant factors include for instance: professional training, rain, mud, salt on streets in winter, the weight of the cyclist, etc). Contact your mechanic to identify the best-suited schedules for your features.**
- Make sure that the derailleur is always properly adjusted:
 - the height of the derailleur so that the cage is at a distance of **1,5÷3 mm** from the larger chainring (Fig. 2).
 - the outside side of the derailleur cage must be parallel with the larger chainring (Fig. 3).

- Lubricate the joints in the front derailleur mechanism as normal with oil.
- Using poor-quality or incorrect lubricant may damage the chain and cause excessive wear or damage to the system. A damaged drive system can malfunction, resulting in an accident, personal injury or death.
- At the end of lubrication operations **CAREFULLY** degrease the braking surface and the brake shoes.
- Never wash your bicycle with pressurised water. Pressurised water, even from the nozzle of a garden hose, can pass the seals and enter inside your Campagnolo® components, causing irreparable damage. Wash your bicycle and Campagnolo® components by gently cleaning them with water and neutral soap. Dry carefully with a soft cloth: Never use abrasive or metallic sponges.

WARNING!

Salty environments (such as roads in winter or in areas near the sea) may cause galvanic corrosion on most of the bicycle's components. To prevent damage, malfunction and accidents, carefully rinse, clean, dry and lubricate all the components subjected to this phenomenon.