

Campagnolo[®]

11[™]
SPEED

EPS[™]

BAR END
CONTROLS



WARNING!

Campagnolo

Carefully read, follow and understand the instructions given in this manual. It is an essential part of the product, and you should keep it in a safe place for future reference.

MECHANIC QUALIFICATION - Please be advised that many bicycle service and repair tasks require specialized knowledge, tools and experience. General mechanical aptitude may not be sufficient to properly service or repair your bicycle. If you have any doubt whatsoever regarding your service/repair ability, please take your bicycle to a qualified repair shop.

"AN ACCIDENT" - Please note that throughout this manual, reference is made that "an accident" could occur. Any accident could result in damage to your bicycle, its components and, more importantly, could cause you or a bystander to sustain severe personal injury or even death.

INTENDED USE - This Campagnolo® product is designed and manufactured for use only on road racing style bicycles that are ridden only on smooth road or track surfaces. Any other use of this product, such as off-road or on trails is forbidden.

LIFESPAN - WEAR - INSPECTION REQUIREMENT - The lifespan of Campagnolo® components depends on many factors, such as rider size and riding conditions. Impacts, falls, improper use or harsh use in general may compromise the structural integrity of the components and significantly reduce their lifespan. Some components are also subject to wear over time. Please have your bicycle regularly inspected by a qualified mechanic for any cracks, deformation, signs of fatigue or wear. If the inspection reveals any deformation, cracks, impact marks or stress marks, no matter how slight, immediately replace the component; components that have experienced excessive wear also need immediate replacement. The frequency of inspection depends on many factors; check with your authorized Campagnolo® representative to select a schedule that is best for you.

Campagnolo

If you weigh 82 kg/180 lbs or more, you must be especially vigilant and have your bicycle inspected more frequently (than someone weighting less than 82 kg/180 lbs) for any evidence of cracks, deformation, or other signs of fatigue or stress. Check with your mechanic to discuss whether the components you selected are suitable for your use, and to determine the frequency of inspections.

Dear customer, please remember that to maximise the performance of your EPS drivetrain and to prevent jeopardising its safety, performance, long-life and functionality, it is absolutely necessary to use the 6 components of EPS drivetrain with components of the Campagnolo 11 speed mechanical drivetrain; it is not possible to use EPS components that are not manufactured by Campagnolo.

Note: Tools supplied by other manufacturers for components similar to Campagnolo® components, may not be compatible with Campagnolo® components. Likewise, tools supplied by Campagnolo s.r.l. may not be compatible with components supplied by other manufacturers. Always check with your mechanic or the tool manufacturer to insure compatibility before using tools supplied by one manufacturer on components supplied by another.

The user of this Campagnolo® product expressly recognizes that there are risks inherent in bicycle riding, including but not limited to the risk that a component of the bicycle can fail, resulting in an accident, personal injury or death. By his purchase and use of this Campagnolo® product, the user expressly, voluntarily and knowingly accepts and/or assumes these risks, including but not limited to the risk of passive or active negligence of Campagnolo s.r.l. or hidden, latent or obvious defects in the product, and agrees to hold Campagnolo s.r.l. harmless to the fullest extent permitted by law against any resulting damages.

SAFETY RECOMMENDATIONS

- Never make any modifications whatsoever to any component of any Campagnolo® product.
- Parts which have been bent or otherwise damaged in an accident or as a result of any other impact must not be re-straightened. They must be replaced immediately with original Campagnolo® parts.
- Wear clothes which are snug-fitting and which make you visible to traffic, such as neon fluorescent or other bright colors.
- Avoid biking at night because it is more difficult for you to be seen by traffic, and it is more difficult for you to see obstructions on the ground. If you do ride at night, you should equip your bicycle with and use a headlight and a tail light.
- Never use a bicycle or bicycle component unless you are thoroughly familiar with its use and maintenance history. "Used" equipment may have been misused and abused, and can unexpectedly fail resulting in an accident.
- Always wear a properly fitted and fastened bicycle helmet that has been approved by ANSI or SNELL.

If you ever have any questions, please contact your mechanic or your nearest Campagnolo® dealer for additional information.

BEFORE EVERY RIDE

- DO NOT RIDE YOUR BICYCLE IF IT DOES NOT PASS THIS PRE-RIDE TEST CORRECT ANY CONDITION BEFORE YOUR RIDE.
- Be sure that all of the components of your bicycle, including but not limited to your brakes, pedals, handgrips, handlebars, frame and seating system, are in optimum condition and suitable for use.
 - Be sure that none of the components of bicycle are bent, damaged or out of alignment.
 - Check you brake pads and cables to be sure they are in good condition.
 - Test your brakes in the beginning of your ride to make sure that they are operating properly.
 - Learn and follow the local bicycle laws and regulations, and obey all traffic signals, signs and laws while you ride.

If you ever any comments, questions or concerns, please contact your nearest Campagnolo Service Center. A list of service centers may be found on our website at www.campagnolo.com.

1. ASSEMBLY

When installing/removing or servicing components, switch off the EPS drivetrain as indicated in the instruction sheet of the EPS Power Unit.

⚠ WARNING!

THE BAR END EPS CONTROLS MUST BE MOUNTED AND CONNECTED ONLY AND EXCLUSIVELY BY ONE OF CAMPAGNOLO SERVICE CENTERS, A CAMPAGNOLO PRO-SHOP OR A MECHANIC SPECIALISED IN MOUNTING EPS GROUPSETS.

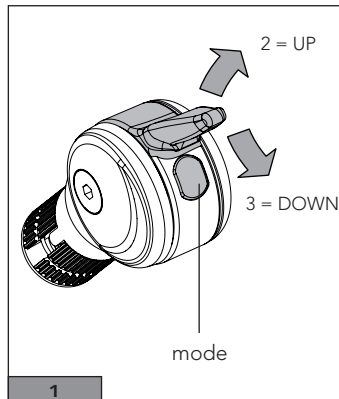
PLEASE REMEMBER THAT TAMPERING OR INCORRECT OR INCOMPLETE INSTALLATION OF EVEN JUST ONE COMPONENT OF THE EPS GROUPSET AUTOMATICALLY RESULTS IN THE INVALIDATION OF ANY WARRANTY.

⚠ ATTENTION! NOTE FOR SPECIALISED MECHANICS!

Please remember that all assembly, disassembly, adjustment and maintenance procedures for the EPS drivetrain are described in the EPS technical manual, which is available in PDF format on our internet site www.campagnolo.com.

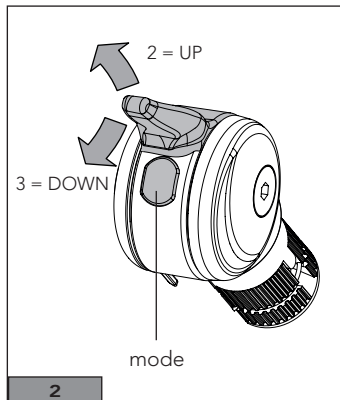
2. OPERATION

- The left control lever (2 - Fig. 1) operates the derailleur by moving up the chain on the upper chainring.
- The left control lever (3 - Fig. 1) operates the derailleur by moving down the chain on the lower chainring.
- The derailleur automatically centres the fork in the best position depending on the position of the chain on the chainrings and pinions.



- By briefly pressing one of the two MODE buttons (Fig. 1 / 2) it is possible to view the battery charge level on the LED of the interface.

- The right control lever (2 - Fig. 2) operates the rear derailleur by moving up the chain on the upper pinion.
- The right control lever (3 - Fig. 2) operates the rear derailleur by moving down the chain on the lower pinion.
- By pressing and holding the right control lever (2 - Fig. 2) you enable multiple shifting upwards.
- By pressing and holding the right control lever (3 - Fig. 2) you enable multiple shifting downwards.
- By briefly pressing one of the two MODE buttons (Fig. 1 / 2) it is possible to view the battery charge level on the LED of the interface.

**IMPORTANT**

In the event of a malfunction of the Bar End EPS shifting levers, check the section on the integrated diagnostics system reported in the instructions leaflet of the EPS power unit and contact only and exclusively your PRO SHOP, SERVICE CENTER or mechanic specialised in mounting EPS groupsets.

2.1 - RIDING SETTING and ZERO SETTING

- Pressing the MODE button (Fig. 1/2) located on the control of the rear derailleur or derailleur for about 6 seconds allows to adjust the reference position of the rear derailleur and derailleur (refer to the directions contained in the instructions leaflet of the EPS rear derailleur and EPS derailleur).
- Pressing both MODE buttons together (Fig. 1/2) for about 6 seconds allows you to reset the reference position of the rear derailleur and derailleur to zero.

! WARNING!

Setting the rear derailleur and derailleur when the bicycle is in motion may result in dangerous situations and cause accidents. Therefore please be very careful if you decide to do it.

! WARNING!

Resetting the rear derailleur and derailleur to zero is a particularly delicate operation and must be carried out when the bicycle is stationary and placed on a stand. This is why it should be conducted only and exclusively by a Campagnolo Service Center, a Campagnolo Pro-shop or a mechanic specialised in mounting EPS groupsets.

3. REMOVAL

When installing/removing or servicing components, switch off the EPS drivetrain as indicated in the instruction sheet of the EPS Power Unit.



WARNING!

THE BAR END EPS SHIFTING LEVERS MUST BE DISASSEMBLED ONLY AND EXCLUSIVELY BY ONE OF CAMPAGNOLO SERVICE CENTERS, A CAMPAGNOLO PRO-SHOP OR A MECHANIC SPECIALISED IN MOUNTING EPS GROUPSETS.

4. MAINTENANCE

- The time indications reported herein are purely indicative and may vary considerably in relation to the conditions of use and intensity of your activity (significant factors include for instance: professional training, rain, mud, salt on streets in winter, the weight of the cyclist, etc). Contact your mechanic to identify the best-suited schedules for your features.

- Dirt damages the bike and its components seriously. Clean, rinse and dry your bike accurately after using it.
- Never wash your bicycle with pressurised water. Pressurised water, even from the nozzle of a garden hose, can pass the seals and enter inside your Campagnolo® components, causing irreparable damage. Wash your bicycle and Campagnolo® components by gently cleaning them with water and neutral soap. Dry carefully with a soft cloth: Never use abrasive or metallic sponges.



WARNING!

Salty environments (such as roads in winter or in areas near the sea) may cause galvanic corrosion on most of the bicycle's components. To prevent damage, malfunction and accidents, carefully rinse, clean, dry and lubricate all the components subjected to this phenomenon.